

CITY OF IMPERIAL
Imperial, California

CONTRACT DOCUMENTS AND
SPECIFICATIONS FOR

**7TH, 10TH & 14TH STREETS
REHABILITATION PROJECT**

BID NO. 2024-01

CITY OF IMPERIAL
COMMUNITY DEVELOPMENT DEPARTMENT
400 South Imperial Avenue
Suite 101
Imperial, California 92251
(760) 355-1152

April 3, 2024 (Rev 1)

CITY OF IMPERIAL

TABLE OF CONTENTS

7TH, 10TH & 14TH STREETS REHABILITATION PROJECT

BID NO. 2024-01

TABLE OF CONTENTS	2
NOTICE INVITING SEALED BIDS	4
INSTRUCTIONS TO BIDDERS	6
BID PROPOSAL DOCUMENTS	
Bid Proposal	36
Bidder's Information.....	38
Contractor's License Statement.....	39
List of Subcontractors.....	40
References	41
Designation of Sureties	41
Bid Bond.....	42
Non-Collusion Affidavit	44
Designation/Certification of Asphalt-Rubber and Aggregate Membrane Contractor and/or Subcontractor(s).....	51
Proposal Bid Sheet.....	54
Verification of compliance with economic sanctions in response to Russia's actions in Ukraine	59
Bid Proposal	60
CONTRACT DOCUMENTS	
Contract Agreement	61
Contract Performance Bond	74
Payment Bond.....	77
General Liability Endorsement.....	80
Automobile Liability Endorsement	83
Worker's Compensation/Employees Liability Endorsement	86
GENERAL SPECIFICATIONS	
Scope of Work.....	88
Location of Work.....	88
Time of Completion	88
Traffic Requirements	88
Utility Requirements	88
Flow and Acceptance of Water.....	89
Removal of Water.....	89
Trench Excavation and Shoring	89
Standard Specifications.....	90
Wage Rates and Labor Codes	91

PART I – GENERAL PROVISIONS

Section 1. Terms, Definitions, Abbreviations and Symbols 92
Section 2. Scope and Control of the Work..... 92
Section 3. Changes in Work 93
Section 4. Control of Materials..... 93
Section 5. Utilities 94
Section 6. Prosecution, Progress and Acceptance of the Work 94
Section 7. Responsibilities of the Contractor 95
Section 8. Measurement and Payment 100

Part II – CONSTRUCTION MATERIALS..... 102

**PART III – STANDARD SPECIFICATIONS FOR PUBLIC WORKS CONSTRUCTION
("GREENBOOK") 2024 Edition..... 102**

ASPHALT GRINDING AND OVERLAY SPECIFICATIONS

Asphalt Rubber Hot Mix (ARHM) - Section 203-11..... 103
Asphalt Rubber and Aggregate Membrane (ARAM) - Section 203-12..... 109
Hand Held Viscometer Test - Section 211-4..... 110
Pulverized Base Material - Section 301-3.4.2.3 112
Asphalt Rubber and Aggregate Membrane (ARAM) - Section 302-10..... 113

MISCELLANEOUS

Thermoplastic Traffic Striping and Pavement Markings - Section 314-4.4..... 116
Pavement Markers - Section 314-5 118
Cold Milling - Section 404 120

**PART IV – CONSTRUCTION METHODS AND
TECHNICAL SPECIFICATIONS..... 123**

APPENDIX A – CALIFORNIA STATE GENERAL PREVAILING WAGE RATES

APPENDIX B – FEDERAL PREVAILING WAGE RATES

APPENDIX C – CONSTRUCTION PROJECT PLANS

**CITY OF IMPERIAL
NOTICE INVITING SEALED BIDS
7TH, 10TH & 14TH STREETS REHABILITATION PROJECT
BID NO. 2024-01**

PUBLIC NOTICE IS HEREBY GIVEN that the City of Imperial, as CITY, invites sealed bids for the above stated project and will receive such bids in the offices of the City Clerk at 420 S. Imperial Avenue, Imperial, California 92251 up to the hour of 3:00 P.M. on Thursday, April 18, 2024, at which time they will be publicly opened and read aloud. A bid summary will then be prepared and posted. ~~A Pre-Bid meeting will be conducted at 10:00 A.M. on Friday, March 15, 2024 at the City of Imperial Community Development Department located at 400 S. Imperial Ave., Suite 101; Imperial, California 92251 to be followed by a Field Walk through at the project site.~~

The work to be done consists of furnishing all materials, equipment, tools, labor, and incidentals as required by the contract documents, which includes, but not limited to the following activities: Removal of existing asphalt in poor conditions, grind and overlay in parts of streets as needed, installation of ¾" asphalt leveling course, installation of asphalt-rubber aggregate membrane (ARAM), installation of gap-graded asphalt rubber hot mix (ARHM), slurry seal, removal and replacement of fire hydrants, removal and replacement of sanitary sewer manholes, installation of Storm Drain System (12" Dia. ADS HP Storm Drain Pipe, PCC Junction Boxes & PCC Catch Basins), utility adjustments, removal and replacement of concrete curb & gutter, sidewalks and ADA ramps, installation of thermoplastic striping. Includes road traffic control around the construction zones. All work to be completed within existing City of Imperial public right of way. The grindings derived from the construction activity listed under Item "6" of the Proposal Bid Sheet, shall be disposed and "stockpiled" at the following location: City Shop & Wastewater Treatment Plant located at 701 E. 14th Street, Imperial, CA 92251.

The scope of work includes, prior to the start of construction, the coordination between the City of Imperial and the Contractor.

Bid packages (USB's) will be available on Thursday March 07, 2024 at the City of Imperial Community Development Department located at 400 S. Imperial Avenue, Suite 101; Imperial, California 92251 upon payment of \$85.00 non-refundable fee (\$100.00 if mailed). Only those firms who have purchased the bid documents will be provided any addendums that may be issued for this project prior to the bid opening date.

Any contract entered into pursuant to this notice will incorporate the provisions of State Labor Code of the State of California. Compliance with the higher State prevailing rates of wages and apprenticeship employment standards established by the State director of Industrial Relations will be required. Affirmative action to ensure against discrimination in employment practices on the basis of race, color, national origin, ancestry, sex, or religion will also be required.

This project has a specific contract Disadvantaged Businesses Enterprises (DBE) Contract Goal of 17%, expressed in percentage terms for the Contractor's aggregate workforce in each trade on all construction work in the covered areas. Said DBE Goal is applicable to all contractor's construction work (whether or not it is Federally funded or assisted) performed in the covered area. If the Contractor performs construction work in a geographical area outside of the covered area, it shall apply to the goals established for such geographical area where the work is actually performed. With regard to this second area, the Contractor also is subject to the goals for both its Federally involved and non-Federally involved construction. The Contractor's compliance with Executive Order 11246 and the regulations in 41.

CFR Part 60-4 shall be based on its implementation of the Equal Opportunity Clause, specific affirmative action obligations required by the specifications set forth in 41 CFR 60- 4.3(a), and its efforts to meet the goals established for the geographical area where the contract resulting from the solicitation is to be performed. The hours of minority and female employment and training must be substantially uniform through the duration of the contract, and in each trade, and the Contractor shall make a good faith effort to employ women and minority individuals evenly on each of its projects. The transfer of minority or female employees or trainees from contractor to contractor or from project to project for the sole purpose of meeting the Contractor's goals shall be a violation of the contract, the Executive Order, and the regulations in 41 CFR Part 60-4. Compliance with the goals will be measured against the total work hours performed.

Each bid must be accompanied by a guaranty of cash, certified check, cashier's check or bid bond made payable to the City of Imperial for an amount equal to at least ten percent (10%) of the bid.

Such guaranty to be forfeited should the bidder to whom the contract is awarded fails to enter the contract. All guaranties to be returned after the contract is awarded. In conformance with the State of California Public Contract Code Section 22300, the contractor may substitute securities for any funds withheld by the City to ensure performance under the contract. At request and expense of the contractor, securities equivalent to the amount withheld shall be deposited with the City or with a State or Federally chartered bank as the escrow agent who shall pay such funds to the contractor upon notification by the City of contractor's satisfactory completion of contract. The type of securities deposited, and the method of release shall be approved by the City Attorney's office.

As used in this notice, and in the contract resulting from this solicitation, the "covered area" is in the City of Imperial in Imperial County, State of California.

The contract documents call for monthly payments based upon the engineer's estimate of the work completed. The City of Imperial will retain five (5%) percent of each progress payment as security for completion of the balance of the work. At the request and expense of the successful bidder, the City will pay the amounts so retained upon compliance with the requirements of Public Contract Code Section 22300 and the provisions of the contract documents pertaining to Substitution of Securities.

Bids must be prepared on the approved proposal forms in conformance with the Instructions to Bidders and submitted in a sealed envelope plainly marked on the outside:

**ATTN: CITY CLERK
SEALED BID FOR:
7TH, 10TH & 14TH STREETS REHABILITATION PROJECT
BID NO. 2024-01**

The Proposal should be delivered no later than 3:00 P.M. on Thursday, April 18, 2024, addressed as follows:

**City of Imperial, City Hall – City Clerk
420 S. Imperial Avenue, Imperial, CA 92251**

Questions concerning the proposal should be directed to Jesus Villegas, Project Manager via email: jvillegas@cityofimperial.org. Questions should be received no later than 1:00 P.M on Friday, April 12, 2024.

Clarification desired by a proposer shall be requested in writing with sufficient time to allow for a response prior to the date RFPs are due. Oral explanation or instructions shall not be considered binding on behalf of the City.

Any modifications to this solicitation will be issued by the City as a written addendum. The City will not consider proposals received after the specified time and date. This bid proposal does not commit the City of Imperial to award a contract or pay any costs associated with the preparation of a Proposal.

The City of Imperial reserves the right to reject any or all bids, to award each item separately, delete portions of the work, and/or waive any informality on any bid. No bid may be withdrawn for 45 days after the time set for the opening thereof. Failure by the successful bidder to enter into a contract with the City or to deliver goods and/or services in accordance with the bid may result in a declaration by the City that the bidder is not a responsible bidder, and elimination from consideration in future bidding.

No contractor or subcontractor may be listed on a bid proposal for a public works project (submitted on or after March 1, 2015) unless registered with the Department of Industrial Relations pursuant to Labor Code section 1725.5 [with limited exceptions from this requirement for bid purposes only under Labor Code section 1771.1 (a)]. No contractor or subcontractor may be awarded a contract for public work on a public works project (awarded on or after April 1, 2015) unless registered with the Department of Industrial Relations pursuant to Labor Code section 1725.5. This project is subject to compliance monitoring and enforcement by the Department of Industrial Relations. Any bid submitted by a contractor or subcontractor not properly licensed and not registered with the Department of Industrial Relations shall be considered non-responsive and will be rejected.

At the time of contract award, the prime contractor shall possess a Class "A" contractor's license and/or any combination of "C" specialty contractor's license(s) sufficient to perform the work.

CITY OF IMPERIAL
INSTRUCTIONS TO BIDDERS
FOR
7TH, 10TH & 14TH STREETS REHABILITATION PROJECT
BID NO. 2024-01

PROPOSAL FORMS

Bids shall be submitted in writing on the Bid Proposal forms provided by the CITY, including, all forms "Required Federal Contract Provisions" must be filled and initialed. All information requested therein must be clearly and legibly set forth in the manner and form indicated. The CITY will not consider any bid proposal not meeting these requirements and/or not submitting all forms requested herein.

PROPOSAL GUARANTEE (BID BOND)

Proposals must be accompanied by a proposal guarantee consisting of a certified check or bid bond payable to the CITY in the amount of (10%) of the total amount Bid. Any proposal not accompanied by such a guarantee will not be considered. If a bidder to whom a contract is awarded fails or refuses to execute the contract documents or furnish the required insurance policies and bonds as set forth in those documents, the proposal guarantee shall be forfeited to the CITY. The proposal guarantees of all bidders will be held until the successful bidder has properly executed all contract documents.

NON-COLLUSION AFFIDAVIT

Bidder shall declare that the only persons or parties interested in the proposal as principals are those named therein; that no officer, agent, or employee of the CITY is personally interested, directly or indirectly, in the proposal; that the proposal is made without connection to any other individual, firm, or corporation making a bid for the same work; and that the proposal is in all respects fair and without collusion or fraud. The Non-Collusion Affidavit shall be executed and submitted with the proposal.

PROPOSAL BID SHEET

Bidders shall give unit prices for each and all of the items set forth. No aggregate bids will be considered. The bidder shall set forth for each item of work, in clearly legible figures, a unit item price and a total for the item in the respective spaces provided for this purpose. The quantities listed in the Bid sheets are supplied to give an indication of the general scope of work, but the accuracy of figures is not guaranteed, and the bidder shall make his own estimates from the drawings. In case of a variation between the unit price and the totals shown by the bidder, the unit price will be considered to be the bid.

No bidder may withdraw his proposal for a period of forty-five (45) days after the time set for opening thereof. However, the CITY will return all proposal guarantees within ten (10) days after the award of the contract or rejection of the bids, as the case may be, to the respective bidders whose proposals they accompany.

DELIVERY OF PROPOSAL

Proposals may be mailed or delivered by messenger. However, it is the bidder's responsibility alone to ensure delivery of the proposal to the hands of the CITY's designated official prior to the bid opening hour stipulated in the "Notice Inviting Sealed Bids." Late proposals will not be considered.

WITHDRAWAL OF PROPOSALS

A proposal may be withdrawn by a written request signed by the bidder. Such requests must be delivered to the CITY's designated official prior to the bid opening hour stipulated in the "Notice Inviting Sealed Bids". The withdrawal of a proposal will not prejudice the right of the bidder to submit a new proposal, providing there is time to do so. Proposals may not be withdrawn after said hour without forfeiture of the

proposal guarantee.

IRREGULAR PROPOSALS

Unauthorized conditions, limitations, or provisions attached to a proposal will render it irregular and may cause its rejection. The completed proposal forms shall be without interlineations, alterations, or erasures. Alternative proposals will not be considered unless specifically requested. No oral, telegraphic, or telephonic proposal, modification, or withdrawal will be considered.

TAXES

No mention shall be made in the proposal of Sales Tax, Use Tax, or any other tax, as all unit prices and bid amounts will be deemed and held to include any such taxes, which may be applicable.

DISQUALIFICATION OF BIDDERS

In the event that any bidder acting as a prime contractor has an interest in more than one proposal, all such proposals will be rejected, and the bidder will be disqualified.

This restriction does not apply to subcontractors or suppliers who may submit quotations to more than one bidder, and while doing so, may also submit a formal proposal as a prime contractor.

No contract will be executed unless the bidder is licensed in accordance with the provisions of the State Business and Professions Code.

INTERPRETATION OF PLANS AND DOCUMENTS

If any person contemplates submission of a bid for the proposed contract and is in doubt as to the true meaning of any part of the services to be performed, he may submit to the Engineer of the CITY a written request for an interpretation or correction thereof. The person submitting the request will be responsible for its prompt delivery. Any interpretation or correction of the proposed documents shall be made only by addendum duly issued and copy of such addendum will be mailed or delivered to each person receiving a set of such documents.

The Engineer will not be responsible for any other explanation or interpretations of the proposed documents.

ADDENDA OR BULLETINS

All bidders are advised as to the possibility of issuance of addenda affecting the items, scope or quantity of the work required for this project. Each bidder shall be fully responsible for informing himself as to whether or not any such addenda have been issued. The effect of all addenda to the Contract Documents shall be considered in the bid and said addenda shall be made a part of the contract documents and shall be returned with them. Failure to cover in his bid any such addenda issued may render his bid irregular and may result in its rejection by the CITY.

LEGAL RESPONSIBILITIES

All proposals must be submitted, filed, made, and executed in accordance with State and Federal laws relating to bids for contracts of this nature whether the same are expressly referred to herein or not.

Any Bidder submitting a proposal shall by such action thereby agree to each and all of the terms, conditions, provisions, and requirements set forth, contemplated, and referred to in the Contract Documents, and to full compliance therewith.

AWARD OF CONTRACT

Following a review of the bids, the CITY shall determine whether to award the contract or to reject all bids. The award of contract, if made, will be to the lowest responsible

Bidder as determined solely by the CITY. At the time of contract award, the successful Bidder shall hold a Class A Contractors License, as required to perform the work, issued by the State of California.

Additionally, the CITY reserves the right to reject any or all proposals, to accept any bid or portion thereof, to waive any irregularity, and to take the bids under advisement for the period of time stated in the "Notice Inviting Sealed Bids", all as may be required to provide for the best interests of the CITY. In no event will an award be made until all necessary investigations are made as to the responsibility and qualifications of the Bidder to whom the award is contemplated.

No bidder may withdraw his proposal for a period of forty-five (45) days after the time set for opening thereof. However, the CITY will return all proposal guarantees within ten (10) days after the award of the contract and execution of the contract documents or rejection of the bids, as the case may be, to the respective bidders whose proposals they accompany.

LABOR CODE

Pursuant to the provisions of Section 1773 of the Labor Code of the State of California (herein referred to as Labor Code), the CITY has obtained the general provisions rate of per diem wages and the general prevailing rate for holiday and overtime work in this locality for each craft, classification or type of workman needed to execute the contract from the Director of the Department of Industrial Relations. These rates are on file with the Clerk of the CITY.

Travel and subsistence payments to each workman needed to execute the work shall be made as such travel and subsistence payments are defined in the applicable collective bargaining agreements filed in accordance with Section 1773.8 of the Labor Code.

The Contractor shall comply with the provisions of Section 1774 of the Labor Code. Failure to comply with the subject section will subject the Contractor to penalty and forfeiture provisions of Section 1775 of the Labor Code.

Pursuant to the provisions of Section 1770 of the Labor Code, the general prevailing rate of wages has been ascertained (which rate includes employer payments for health and welfare, vacation, pension and similar purposes) applicable to the work to be done, for straight time, overtime, Saturday, Sunday and holiday work. The holiday wage rate listed shall be applicable to all holidays recognized in the collective bargaining agreement of the particular craft, classification or type of workmen concerned.

The CITY will not recognize any claim for additional compensation because of the payment by the Contractor of any wage rate in excess of the prevailing wage rate set forth in the contract. The possibility of wage increases is one of the elements to be considered by the Contractor in determining his bid and will not under any circumstances be considered as the basis of a claim against the CITY on the contract.

The CONTRACTOR and subcontractors shall comply with Section 1777.6 of the Labor Code which stipulates that it shall be unlawful to refuse to accept otherwise qualified employees as registered apprentices solely on the grounds of race, religious creed, color, national origin, ancestry, sex, or age, of such employee, except as provided in Section 3077 of the Labor Code.

WORKMAN'S COMPENSATION CERTIFICATE

Section 3700 of the Labor Code requires that every employer shall secure the payment of compensation by either being insured against liability to pay compensation with one or more insurers or by securing a certificate of consent to self-insure from the State Director of Industrial Relations.

In accordance with this section and with Section 1861 of the Labor Code, the contractor shall sign a Compensation Insurance Certificate, which is included with the Contract Agreement, and submit same to City along with the other required contract documents, prior to performing any work. Reimbursement for this requirement shall be considered as included in the various items of work.

CLAYTON ACT AND CARTWRIGHT ACT

Section 4551 of the State Government Code specifies that in executing a public works contract with the CITY to supply goods, services or materials, the Contractor or Subcontractor offers and agrees to assign to the CITY all rights, title and interest in and to all causes of action it may have under Section 4 of the Clayton Act (15 U.S.C. Sec. 15) or under the Cartwright Act (Chapter 2 commencing with Sec. 16700) of Part 2 of Division 7 of the Business and Professions Code, arising from purchase of goods, services or materials pursuant to the contract or subcontract. This assignment shall become effective when the CITY tender's final payment to the Contractor without further acknowledgment by the parties.

SUBSTITUTION OF SECURITIES

In conformance with the State of California Public Contract Code Section 22300, the contractor may substitute securities for any funds withheld by the CITY to ensure performance under the contract.

At the request and expense of the contractor, securities equivalent to the amount withheld shall be deposited with the City or with a State or Federally chartered bank as the escrow agent who shall pay such funds to the contractor upon notification by CITY of Contractor's satisfactory completion of the contract.

The type of securities deposited, and the method of release shall be approved by the City Attorney's office.

SUBLETTING AND SUBCONTRACTING

Pursuant to the Subletting and Subcontracting Fair Practices Act (commencing with Section 4100 of the Government Code), bidders are required to list in their proposal the name and location of place of business of each subcontractor who will perform work or labor or render services in or about the construction of the work or improvement or a subcontractor who specially fabricates and installs a portion of the work or improvement according to detailed drawings contained in the Plans and Specifications in excess of 1/2 of 1% of this prime contractor's total bid. Failure to list a subcontractor for a portion of the work means that the prime contractor will do that portion of the work. It is the Agency's intent for the Subletting and Subcontracting Fair Practices Act to apply to all phases of the work.

CITY BUSINESS LICENSE

The Contractor shall obtain a City of Imperial Business License prior to the City's issuing the Notice to Proceed.

The annual fee for the Business License is one-hundred dollars (\$100.00).

QUALITY ASSURANCE

The Agency uses a Quality Assurance Program (QAP) to ensure a material is produced to comply with the Contract.

You may examine the records and reports of tests the Agency performs if they are available at the job site.

Schedule work to allow time for QAP.

BUY AMERICA

Furnish steel and iron materials to be incorporated into the work with certificates of compliance. Steel and iron materials must be produced in the U.S. except:

1. Foreign pig iron and processed, pelletized, and reduced iron ore may be used in the domestic production of the steel and iron materials [60 Fed Reg 15478 (03/24/1995)].
2. If the total combined cost of the materials does not exceed the greater of 0.1 percent of the total bid or \$2,500, materials produced outside the U.S. may be used.

Production includes:

1. Processing steel and iron materials, including smelting or other processes that alter the physical form or shape (such as rolling, extruding, machining, bending, grinding, and drilling) or chemical composition.
2. Coating application, including epoxy coating, galvanizing, and painting, that protects or enhances the value of steel and iron materials.

VERIFICATION OF COMPLIANCE WITH ECONOMIC SANCTIONS IN RESPONSE
TO RUSSIA'S ACTIONS IN UKRAINE

Per California Executive Order N-6-22, the City of Imperial is required to assure that all contractors doing business with the City of Imperial are in compliance with economic sanctions imposed by the U.S. government in response to Russia's actions in Ukraine, as well as sanctions imposed under state law, if any.

DISADVANTAGE BUSINESS

ENTERPRISE (DBE)

Under 49 CFR 26.13(b):

The contractor, subrecipient or subcontractor shall not discriminate on the basis of race, color, national origin, or sex in the performance of this contract. The contractor shall carry out applicable requirements of 49 CFR part 26 in the award and administration of DOT-assisted contracts. Failure by the contractor to carry out these requirements is a material breach of this contract, which may result in the termination of this contract or such other remedy as the recipient deems appropriate.

Take necessary and reasonable steps to ensure that DBEs have opportunity to participate in the contract (49 CFR 26).

To ensure equal participation of DBEs provided in 49 CFR 26.5, the Agency shows a goal for DBEs. Make work available to DBEs and select work parts consistent with available DBE subcontractors and suppliers.

Meet the DBE goal shown elsewhere in these special provisions or demonstrate that you made adequate good faith efforts to meet this goal.

It is your responsibility to verify that the DBE firm is certified as DBE at date of bid opening. For a list of DBEs certified by the California Unified Certification Program, go to: http://www.dot.ca.gov/hq/bep/find_certified.htm.

All DBE participation will count toward the California Department of Transportation's federally mandated statewide overall DBE goal.

Credit for materials or supplies you purchase from DBEs counts towards the goal in the following manner:

- 100 percent counts if the materials or supplies are obtained from a DBE manufacturer.
- 60 percent counts if the materials or supplies are obtained from a DBE regular dealer.
- Only fees, commissions, and charges for assistance in the procurement and delivery of materials or supplies count if obtained from a DBE that is neither a manufacturer nor regular dealer. 49 CFR 26.55 defines "manufacturer" and "regular dealer."

You receive credit towards the goal if you employ a DBE trucking company that performs a commercially useful function as defined in 49 CFR 26.55(d)(1) through (4) and (6).

a. DBE Commitment Submittal

Submit the Exhibit 15-G *Local Agency Bidder DBE Commitment (Construction Contracts)* form, included in the Bid book. If the form is not submitted with the bid, remove the form from the Bid book before submitting your bid.

If the DBE Commitment form is not submitted with the bid, the apparent low bidder, the 2nd low bidder, and the 3rd low bidder must complete and submit the DBE Commitment form to the Agency. DBE Commitment form must be received by the Agency no later than 4:00 p.m. on the 4th business day after bid opening.

Other bidders do not need to submit the DBE Commitment form unless the Agency requests it. If the Agency requests you to submit a DBE Commitment form, submit the completed form within 4 business days of the request.

Submit written confirmation from each DBE stating that it is participating in the contract. Include confirmation with the DBE Commitment form. A copy of a DBE's quote will serve as written confirmation that the DBE is participating in the contract.

If you do not submit the DBE Commitment form within the specified time, the Agency will find your bid nonresponsive.

b. Good Faith Efforts Submittal

If you have not met the DBE goal, complete and submit the DBE Information - Good Faith Efforts, Exhibit 15-G, form with the bid showing that you made adequate good faith efforts to meet the goal. Only good faith efforts directed towards obtaining participation by DBEs will be considered. If good faith efforts documentation is not submitted with the bid, it must be received by the Agency no later than 4:00 p.m. on the 4th business day after bid opening.

If your DBE Commitment form shows that you have met the DBE goal or if you are required to submit the DBE Commitment form, you must also submit good faith efforts documentation within the specified time to protect your eligibility for award of the contract in the event the Agency finds that the DBE goal has not been met.

Good faith efforts documentation must include the following information and supporting documents, as necessary:

1. Items of work you have made available to DBE firms. Identify those items of work you might otherwise perform with your own forces and those items that have been broken down into economically feasible units to facilitate DBE participation. For each item listed, show the dollar value and percentage of the total contract. It is your responsibility to demonstrate that sufficient work to meet the goal was made available to DBE firms.
2. Names of certified DBEs and dates on which they were solicited to bid on the project. Include the items of work offered. Describe the methods used for following up initial solicitations to determine with certainty if the DBEs were interested, and the dates of the follow-up. Attach supporting documents such as copies of letters, memos, facsimiles sent, telephone logs, telephone billing statements, and other evidence of solicitation. You are reminded to solicit certified DBEs through all reasonable and available means and provide sufficient time to allow DBEs to respond.
3. Name of selected firm and its status as a DBE for each item of work made available. Include name, address, and telephone number of each DBE that provided a quote and their price quote. If the firm selected for the item is not a DBE, provide the reasons for the selection.
4. Name and date of each publication in which you requested DBE participation for the project. Attach copies of the published advertisements.
5. Names of agencies and dates on which they were contacted to provide assistance in contacting, recruiting, and using DBE firms. If the agencies were contacted in writing, provide copies of supporting documents.
 6. List of efforts made to provide interested DBEs with adequate information about the plans, specifications, and requirements of the contract to assist them in responding to a solicitation. If you have provided information, identify the name of the DBE assisted, the nature of the information provided, and date of contact. Provide copies of supporting documents, as appropriate.
 7. List of efforts made to assist interested DBEs in obtaining bonding, lines of credit, insurance, necessary equipment, supplies, and materials, excluding supplies and equipment that the DBE subcontractor purchases or leases from the prime contractor or its affiliate. If such assistance is provided by you, identify the name of the DBE assisted, nature of the assistance offered, and date assistance was provided. Provide copies of supporting documents, as appropriate.
8. Any additional data to support demonstration of good faith efforts.

The Agency may consider DBE commitments of the 2nd and 3rd bidders when determining whether the low bidder made good faith efforts to meet the DBE goal.

c. Exhibit 15-G - Local Agency Bidder DBE Information (Construction Contracts)

Complete and sign Exhibit 15-G *Local Agency Bidder DBE Commitment (Construction Contracts)* included in the contract documents regardless of whether DBE participation is reported.

Provide written confirmation from each DBE that the DBE is participating in the Contract. A copy of a DBE's quote serves as written confirmation. If a DBE is participating as a joint venture partner, the Agency encourages you to submit a copy of the joint venture agreement.)

d. Subcontractor and Disadvantaged Business Enterprise Records

Use each DBE subcontractor as listed on Exhibit 12-B Bidder's List of Subcontractors (*DBE and Non- DBE*) and Exhibit 15-G *Local Agency Bidder DBE Commitment (Construction Contracts)* form unless you receive authorization for a substitution.

The Agency requests the Contractor to:

1. Notify the Construction Manager of any changes to its anticipated DBE participation
2. Provide this notification before starting the affected work
3. Maintain records including:
 - Name and business address of each 1st-tier subcontractor
 - Name and business address of each DBE subcontractor, DBE vendor, and DBE trucking company, regardless of tier
 - Date of payment and total amount paid to each business

If you are a DBE contractor, include the date of work performed by your own forces and the corresponding value of the work.

Before the 15th of each month, submit a Monthly DBE Trucking Verification form.

If a DBE is decertified before completing its work, the DBE must notify you in writing of the decertification date. If a business becomes a certified DBE before completing its work, the business must notify you in writing of the certification date. Submit the notifications. On work completion, complete a Disadvantaged Business Enterprises (DBE) Certification Status Change, Exhibit 17-O, form. Submit the form within 30 days of contract acceptance.

Upon work completion, complete Exhibit 17-F *Final Report – Utilization of Disadvantaged Business Enterprises (DBE), First-Tier Subcontractors*. Submit it within 90 days of contract acceptance. The Agency will withhold \$10,000 until the form is submitted. The Agency releases the withhold upon submission of the completed form.

e. Performance of Disadvantaged Business Enterprises

DBEs must perform work or supply materials as listed in the Exhibit 15-G *Local Agency Bidder DBE Commitment (Construction Contracts)* form, included in the Bid.

Do not terminate or substitute a listed DBE for convenience and perform the work with your own forces or obtain materials from other sources without authorization from the Agency.

The Agency authorizes a request to use other forces or sources of materials if it shows any of the following justifications:

1. Listed DBE fails or refuses to execute a written contract based on plans and specifications for the project.
2. You stipulated that a bond is a condition of executing the subcontract and the listed DBE fails to meet your bond requirements.
3. Work requires a contractor's license and listed DBE does not have a valid license under Contractors License Law.
4. Listed DBE fails or refuses to perform the work or furnish the listed materials.
5. Listed DBE's work is unsatisfactory and not in compliance with the contract.
6. Listed DBE is ineligible to work on the project because of suspension or debarment.
7. Listed DBE becomes bankrupt or insolvent.
8. Listed DBE voluntarily withdraws with written notice from the Contract
9. Listed DBE is ineligible to receive credit for the type of work required.

10. Listed DBE owner dies or becomes disabled resulting in the inability to perform the work on the Contract.
11. Agency determines other documented good cause.

Notify the original DBE of your intent to use other forces or material sources and provide the reasons. Provide the DBE with 5 days to respond to your notice and advise you and the Agency of the reasons why the use of other forces or sources of materials should not occur. Your request to use other forces or material sources must include:

1. One or more of the reasons listed in the preceding paragraph
2. Notices from you to the DBE regarding the request
3. Notices from the DBEs to you regarding the request

If a listed DBE is terminated or substituted, you must make good faith efforts to find another DBE to substitute for the original DBE. The substitute DBE must perform at least the same amount of work as the original DBE under the contract to the extent needed to meet the DBE goal.

The substitute DBE must be certified as a DBE at the time of request for substitution.

Unless the Agency authorizes (1) a request to use other forces or sources of materials or (2) a good faith effort for a substitution of a terminated DBE, the Agency does not pay for work listed on the Exhibit 15-G *Local Agency Bidder DBE Commitment (Construction Contracts)* form unless it is performed or supplied by the listed DBE or an authorized substitute.

REQUIRED CONTRACT PROVISIONS - FEDERAL-AID CONSTRUCTION CONTRACTS

- I. General
- II. Nondiscrimination
- III. Nonsegregated Facilities
- IV. Davis-Bacon and Related Act Provisions
- V. Contract Work Hours and Safety Standards Act Provisions
- VI. Subletting or Assigning the Contract
- VII. Safety: Accident Prevention
- VIII. False Statements Concerning Highway Projects
- IX. Implementation of Clean Air Act and Federal Water Pollution Control Act
- X. Compliance with Governmentwide Suspension and Debarment Requirements
- XI. Certification Regarding Use of Contract

Funds for Lobbying ATTACHMENTS

A. Employment and Materials Preference for Appalachian Development Highway System or Appalachian Local Access Road Contracts (included in Appalachian contracts only)

I. GENERAL

1. Form FHWA-1273 must be physically incorporated in each construction contract funded under Title 23 (excluding emergency contracts solely intended for debris removal). The contractor (or subcontractor) must insert this form in each subcontract and further require its inclusion in all lower tier subcontracts (excluding purchase orders, rental agreements and other agreements for supplies or services).

The applicable requirements of Form FHWA-1273 are incorporated by reference for work done under any purchase order, rental agreement or agreement for other services. The prime contractor shall be responsible for compliance by any subcontractor, lower-tier subcontractor or service provider.

Form FHWA-1273 must be included in all Federal-aid design-build contracts, in all subcontracts and in lower tier subcontracts (excluding subcontracts for design services, purchase orders, rental agreements and other agreements for supplies or services). The design-builder shall be responsible for compliance by any subcontractor, lower-tier subcontractor or service provider.

Contracting agencies may reference Form FHWA-1273 in bid proposal or request for proposal documents, however, the Form FHWA-1273 must be physically incorporated (not referenced) in all contracts, subcontracts and lower-tier subcontracts (excluding purchase orders, rental agreements and other agreements for supplies or services related to a construction contract).

2. Subject to the applicability criteria noted in the following sections, these contract provisions shall apply to all work performed on the contract by the contractor's own organization and with the assistance of workers under the contractor's immediate superintendence and to all work performed on the contract by piecework, station work, or by subcontract.

3. A breach of any of the stipulations contained in these Required Contract Provisions may be sufficient grounds for withholding of progress payments, withholding of final payment, termination of the contract, suspension / debarment or any other action determined to be appropriate by the contracting agency and FHWA.

4. Selection of Labor: During the performance of this contract, the contractor shall not use convict labor for any purpose within the limits of a construction project on a Federal-aid highway unless it is labor performed by convicts who are on parole, supervised release, or probation. The term Federal-aid highway does not include roadways functionally classified as local roads or rural minor collectors.

II. NONDISCRIMINATION

The provisions of this section related to 23 CFR Part 230 are applicable to all Federal-aid construction contracts and to all related construction subcontracts of \$10,000 or more. The provisions of 23 CFR Part 230 are not applicable to material supply, engineering, or architectural service contracts.

In addition, the contractor and all subcontractors must comply with the following policies: Executive Order 11246, 41 CFR 60, 29 CFR 1625-1627, Title 23 USC Section 140, the Rehabilitation Act of 1973, as amended (29 USC 794), Title VI of the Civil Rights Act of 1964, as amended, and related regulations including 49 CFR Parts 21, 26 and 27; and 23 CFR Parts 200, 230, and 633.

The contractor and all subcontractors must comply with: the requirements of the Equal Opportunity Clause in 41 CFR 60-1.4(b) and, for all construction contracts exceeding \$10,000, the Standard Federal Equal Employment Opportunity Construction Contract Specifications in 41 CFR 60-4.3.

Note: The U.S. Department of Labor has exclusive authority to determine compliance with Executive Order 11246 and the policies of the Secretary of Labor including 41 CFR 60, and 29 CFR 1625-1627. The contracting agency and the FHWA have the authority and the responsibility to ensure compliance with Title 23 USC Section 140, the Rehabilitation Act of 1973, as amended (29 USC 794), and Title VI of the Civil Rights Act of 1964, as amended, and related regulations including 49 CFR Parts 21, 26 and 27; and 23 CFR Parts 200, 230, and 633.

The following provision is adopted from 23 CFR 230, Appendix A, with appropriate revisions to conform to the U.S. Department of Labor (US DOL) and FHWA requirements.

1. Equal Employment Opportunity: Equal employment opportunity (EEO) requirements not to discriminate and to take affirmative action to assure equal opportunity as set forth under laws, executive orders, rules, regulations (28 CFR 35, 29 CFR 1630, 29 CFR 1625-1627, 41 CFR 60 and 49 CFR 27) and orders of the Secretary of Labor as modified by the provisions prescribed herein, and imposed pursuant to 23 U.S.C. 140 shall constitute the EEO and specific affirmative action standards for the contractor's project activities under this contract. The provisions of the Americans with Disabilities Act of 1990 (42 U.S.C. 12101 et seq.) set forth under 28 CFR 35 and 29 CFR 1630 are incorporated by reference in this contract. In the execution of this contract, the contractor agrees to comply with the following minimum specific requirement activities of EEO:

a. The contractor will work with the contracting agency and the Federal Government to ensure that it has made every good faith effort to provide equal opportunity with respect to all of its terms and conditions of employment and in their review of activities under the contract.

b. The contractor will accept as its operating policy the following statement:

"It is the policy of this Company to assure that applicants are employed, and that employees are treated during employment, without regard to their race, religion, sex, color, national origin, age or disability. Such action shall include: employment, upgrading, demotion, or transfer; recruitment or recruitment advertising; layoff or termination; rates of pay or other forms of compensation; and selection for training, including apprenticeship, pre-apprenticeship, and/or on-the-job training."

2. EEO Officer: The contractor will designate and make known to the contracting officers an EEO Officer who will have the responsibility for and must be capable of effectively administering and promoting an active EEO program and who must be assigned adequate authority and responsibility to do so

3. Dissemination of Policy: All members of the contractor's staff who are authorized to hire, supervise, promote, and discharge employees, or who recommend such action, or who are substantially involved in such action, will be made fully cognizant of, and will implement, the contractor's EEO policy and contractual responsibilities to provide EEO in each grade and classification of employment. To ensure that the above agreement will be met, the following actions will be taken as a minimum:

a. Periodic meetings of supervisory and personnel office employees will be conducted before the start of work and then not less often than once every six months, at which time the contractor's EEO policy and its implementation will be reviewed and explained. The meetings will be conducted by the EEO Officer.

b. All new supervisory or personnel office employees will be given a thorough indoctrination by the EEO Officer, covering all major aspects of the contractor's EEO obligations within thirty days following their reporting for duty with the contractor.

c. All personnel who are engaged in direct recruitment for the project will be instructed by the EEO Officer in the contractor's procedures for locating and hiring minorities and women.

d. Notices and posters setting forth the contractor's EEO policy will be placed in areas readily accessible to employees, applicants for employment and potential employees.

e. The contractor's EEO policy and the procedures to implement such policy will be brought to the attention of employees by means of meetings, employee handbooks, or other appropriate means.

4. Recruitment: When advertising for employees, the contractor will include in all advertisements for employees the notation: "An Equal Opportunity Employer." All such advertisements will be placed in publications having a large circulation among minorities and women in the area from which the project work force would normally be derived.

a. The contractor will, unless precluded by a valid bargaining agreement, conduct systematic

and direct recruitment through public and private employee referral sources likely to yield qualified minorities and women. To meet this requirement, the contractor will identify sources of potential minority group employees, and establish with such identified sources procedures whereby minority and women applicants may be referred to the contractor for employment consideration.

b. In the event the contractor has a valid bargaining agreement providing for exclusive hiring hall referrals, the contractor is expected to observe the provisions of that agreement to the extent that the system meets the contractor's compliance with EEO contract provisions. Where implementation of such an agreement has the effect of discriminating against minorities or women, or obligates the contractor to do the same, such implementation violates Federal nondiscrimination provisions.

c. The contractor will encourage its present employees to refer minorities and women as applicants for employment. Information and procedures with regard to referring such applicants will be discussed with employees.

5. Personnel Actions: Wages, working conditions, and employee benefits shall be established and administered, and personnel actions of every type, including hiring, upgrading, promotion, transfer, demotion, layoff, and termination, shall be taken without regard to race, color, religion, sex, national origin, age or disability. The following procedures shall be followed:

a. The contractor will conduct periodic inspections of project sites to insure that working conditions and employee facilities do not indicate discriminatory treatment of project site personnel.

b. The contractor will periodically evaluate the spread of wages paid within each classification to determine any evidence of discriminatory wage practices.

c. The contractor will periodically review selected personnel actions in depth to determine whether there is evidence of discrimination. Where evidence is found, the contractor will promptly take corrective action. If the review indicates that the discrimination may extend beyond the actions reviewed, such corrective action shall include all affected persons.

d. The contractor will promptly investigate all complaints of alleged discrimination made to the contractor in connection with its obligations under this contract, will attempt to resolve such complaints, and will take appropriate corrective action within a reasonable time. If the investigation indicates that the discrimination may affect persons other than the complainant, such corrective action shall include such other persons. Upon completion of each investigation, the contractor will inform every complainant of all of their avenues of appeal.

6. Training and Promotion:

a. The contractor will assist in locating, qualifying, and increasing the skills of minorities and women who are applicants for employment or current employees. Such efforts should be aimed at developing full journey level status employees in the type of trade or job classification involved.

b. Consistent with the contractor's work force requirements and as permissible under Federal and State regulations, the contractor shall make full use of training programs, i.e., apprenticeship, and on-the-job training programs for the geographical area of contract performance. In the event a special provision for training is provided under this contract, this subparagraph will be superseded as indicated in the special provision. The contracting agency may reserve training positions for persons who receive welfare assistance in accordance with 23 U.S.C. 140(a).

c. The contractor will advise employees and applicants for employment of available training programs and entrance requirements for each.

d. The contractor will periodically review the training and promotion potential of employees who are minorities and women and will encourage eligible employees to apply for such training and promotion.

7. Unions: If the contractor relies in whole or in part upon unions as a source of employees, the contractor will use good faith efforts to obtain the cooperation of such unions to increase opportunities for minorities and women. Actions by the contractor, either directly or through a contractor's association acting as agent, will include the procedures set forth below:

a. The contractor will use good faith efforts to develop, in cooperation with the unions, joint training programs aimed toward qualifying more minorities and women for membership in the unions and increasing the skills of minorities and women so that they may qualify for higher paying employment.

b. The contractor will use good faith efforts to incorporate an EEO clause into each union agreement to the end that such union will be contractually bound to refer applicants without regard to their race, color, religion, sex, national origin, age or disability.

c. The contractor is to obtain information as to the referral practices and policies of the labor union except that to the extent such information is within the exclusive possession of the labor union and such labor union refuses to furnish such information to the contractor, the contractor shall so certify to the contracting agency and shall set forth what efforts have been made to obtain such information.

d. In the event the union is unable to provide the contractor with a reasonable flow of referrals within the time limit set forth in the collective bargaining agreement, the contractor will, through independent recruitment efforts, fill the employment vacancies without regard to race, color, religion, sex, national origin, age or disability; making full efforts to obtain qualified and/or qualifiable minorities and women. The failure of a union to provide sufficient referrals (even though it is obligated to provide exclusive referrals under the terms of a collective bargaining

agreement) does not relieve the contractor from the requirements of this paragraph. In the event the union referral practice prevents the contractor from meeting the obligations pursuant to Executive Order 11246, as amended, and these special provisions, such contractor shall immediately notify the contracting agency.

8. Reasonable Accommodation for Applicants / Employees with Disabilities: The contractor must be familiar with the requirements for and comply with the Americans with Disabilities Act and all rules and regulations established there under. Employers must provide reasonable accommodation in all employment activities unless to do so would cause an undue hardship.

9. Selection of Subcontractors, Procurement of Materials and Leasing of Equipment: The contractor shall not discriminate on the grounds of race, color, religion, sex, national origin, age or disability in the selection and retention of subcontractors, including procurement of materials and leases of equipment. The contractor shall take all necessary and reasonable steps to ensure nondiscrimination in the administration of this contract.

a. The contractor shall notify all potential subcontractors and suppliers and lessors of their EEO obligations under this contract.

b. The contractor will use good faith efforts to ensure subcontractor compliance with their EEO obligations.

10. Assurance Required by 49 CFR 26.13(b):

a. The requirements of 49 CFR Part 26 and the State DOT's U.S. DOT-approved DBE program are incorporated by reference.

b. The contractor or subcontractor shall not discriminate on the basis of race, color, national origin, or sex in the performance of this contract. The contractor shall carry out applicable requirements of 49 CFR Part 26 in the award and administration of DOT-assisted contracts. Failure by the contractor to carry out these requirements is a material breach of this contract, which may result in the termination of this contract or such other remedy as the contracting agency deems appropriate.

11. Records and Reports: The contractor shall keep such records as necessary to document compliance with the EEO requirements. Such records shall be retained for a period of three years following the date of the final payment to the contractor for all contract work and shall be available at reasonable times and places for inspection by authorized representatives of the contracting agency and the FHWA.

a. The records kept by the contractor shall document the following:

(1) The number and work hours of minority and non-minority group members and women employed in each work classification on the project;

(2) The progress and efforts being made in cooperation with unions, when applicable, to increase employment opportunities for minorities and women; and

(3) The progress and efforts being made in locating, hiring, training, qualifying, and upgrading minorities and women;

b. The contractors and subcontractors will submit an annual report to the contracting agency each July for the duration of the project, indicating the number of minority, women, and non-minority group employees currently engaged in each work classification required by the contract work. This information is to be reported on [Form FHWA-1391](#). The staffing data should represent the project work force on board in all or any part of the last payroll period preceding the end of July. If on-the-job training is being required by special provision, the contractor will be required to collect and report training data. The employment data should reflect the work force on board during all or any part of the last payroll period preceding the end of July.

III. NONSEGREGATED FACILITIES

This provision is applicable to all Federal-aid construction contracts and to all related construction subcontracts of \$10,000 or more.

The contractor must ensure that facilities provided for employees are provided in such a manner that segregation on the basis of race, color, religion, sex, or national origin cannot result. The contractor may neither require such segregated use by written or oral policies nor tolerate such use by employee custom. The contractor's obligation extends further to ensure that its employees are not assigned to perform their services at any location, under the contractor's control, where the facilities are segregated. The term "facilities" includes waiting rooms, work areas, restaurants and other eating areas, time clocks, restrooms, washrooms, locker rooms, and other storage or dressing areas, parking lots, drinking fountains, recreation or entertainment areas, transportation, and housing provided for employees. The contractor shall provide separate or single-user restrooms and necessary dressing or sleeping areas to assure privacy between sexes.

IV. DAVIS-BACON AND RELATED ACT PROVISIONS

This section is applicable to all Federal-aid construction projects exceeding \$2,000 and to all related subcontracts and lower-tier subcontracts (regardless of subcontract size). The requirements apply to all projects located within the right-of-way of a roadway that is functionally classified as Federal-aid highway. This excludes roadways functionally classified as local roads or rural minor collectors, which are exempt. Contracting agencies may elect to apply these requirements to other projects.

The following provisions are from the U.S. Department of Labor regulations in 29 CFR 5.5 "Contract provisions and related matters" with minor revisions to conform to the FHWA-1273 format and FHWA program requirements.

1. *Minimum wages*

a. All laborers and mechanics employed or working upon the site of the work, will be paid unconditionally and not less often than once a week, and without subsequent deduction or rebate on any account (except such payroll deductions as are permitted by regulations issued by the Secretary of Labor under the Copeland Act (29 CFR part 3)), the full amount of wages and bona fide fringe benefits (or cash equivalents thereof) due at time of payment computed at rates not less than those contained in the wage determination of the Secretary of Labor which is attached hereto and made a part hereof, regardless of any contractual relationship which may be alleged to exist between the contractor and such laborers and mechanics.

Contributions made or costs reasonably anticipated for bona fide fringe benefits under section 1(b)(2) of the Davis-Bacon Act on behalf of laborers or mechanics are considered wages paid to such laborers or mechanics, subject to the provisions of paragraph 1.d. of this section; also, regular contributions made or costs incurred for more than a weekly period (but not less often than quarterly) under plans, funds, or programs which cover the particular weekly period, are deemed to be constructively made or incurred during such weekly period. Such laborers and mechanics shall be paid the appropriate wage rate and fringe benefits on the wage determination for the classification of work actually performed, without regard to skill, except as provided in 29 CFR 5.5(a)(4). Laborers or mechanics performing work in more than one classification may be compensated at the rate specified for each classification for the time actually worked therein: Provided, That the employer's payroll records accurately set forth the time spent in each classification in which work is performed. The wage determination (including any additional classification and wage rates conformed under paragraph 1.b. of this section) and the Davis-Bacon poster (WH-1321) shall be posted at all times by the contractor and its subcontractors at the site of the work in a prominent and accessible place where it can be easily seen by the workers.

b. (1) The contracting officer shall require that any class of laborers or mechanics, including helpers, which is not listed in the wage determination and which is to be employed under the contract shall be classified in conformance with the wage determination. The contracting officer shall approve an additional classification and wage rate and fringe benefits therefore only when the following criteria have been met:

- (i) The work to be performed by the classification requested is not performed by a classification in the wage determination; and

(ii) The classification is utilized in the area by the construction industry; and

(iii) The proposed wage rate, including any bona fide fringe benefits, bears a reasonable relationship to the wages contained in the wage determination.

(2) If the contractor and the laborers and mechanics to be employed in the classification (if known), or their representatives, and the contracting officer agree on the classification and wage rate (including the amount designated for fringe benefits where appropriate), a report of the action taken shall be sent by the contracting officer to the Administrator of the Wage and Hour Division, Employment Standards Administration, U.S. Department of Labor, Washington, DC 20210. The Administrator, or an authorized representative, will approve, modify, or disapprove every additional classification action within 30 days of receipt and so advise the contracting officer or will notify the contracting officer within the 30-day period that additional time is necessary.

(3) In the event the contractor, the laborers or mechanics to be employed in the classification or their representatives, and the contracting officer do not agree on the proposed classification and wage rate (including the amount designated for fringe benefits, where appropriate), the contracting officer shall refer the questions, including the views of all interested parties and the recommendation of the contracting officer, to the Wage and Hour Administrator for determination. The Wage and Hour Administrator, or an authorized representative, will issue a determination within 30 days of receipt and so advise the contracting officer or will notify the contracting officer within the 30-day period that additional time is necessary.

(4) The wage rate (including fringe benefits where appropriate) determined pursuant to paragraphs 1.b.(2) or 1.b.(3) of this section, shall be paid to all workers performing work in the classification under this contract from the first day on which work is performed in the classification.

c. Whenever the minimum wage rate prescribed in the contract for a class of laborers or mechanics includes a fringe benefit which is not expressed as an hourly rate, the contractor shall either pay the benefit as stated in the wage determination or shall pay another bona fide fringe benefit or an hourly cash equivalent thereof.

d. If the contractor does not make payments to a trustee or other third person, the contractor may consider as part of the wages of any laborer or mechanic the amount of any costs reasonably anticipated in providing bona fide fringe benefits under a plan or program, Provided, That the Secretary of Labor has found, upon the written request of the contractor, that the applicable standards of the Davis-Bacon Act have been met. The Secretary of Labor may require the contractor to set aside in a separate account assets for the meeting of obligations under the plan or program.

2. Withholding

The contracting agency shall upon its own action or upon written request of an authorized representative of the Department of Labor, withhold or cause to be withheld from the contractor under this contract, or any other Federal contract with the same prime contractor, or any other federally-assisted contract subject to Davis-Bacon prevailing wage requirements, which is held by the same prime contractor, so much of the accrued payments or advances as may be considered necessary to pay laborers and mechanics, including apprentices, trainees, and helpers, employed by the contractor or any subcontractor the full amount of wages required by the contract. In the event of failure to pay any laborer or mechanic, including any apprentice, trainee, or helper, employed or working on the site of the work, all or part of the wages required by the contract, the contracting agency may, after written notice to the contractor, take such action as may be necessary to cause the suspension of any further payment, advance, or guarantee of funds until such violations have ceased.

3. Payrolls and basic records

a. Payrolls and basic records relating thereto shall be maintained by the contractor during the course of the work and preserved for a period of three years thereafter for all laborers and mechanics working at the site of the work. Such records shall contain the name, address, and

social security number of each such worker, his or her correct classification, hourly rates of wages paid (including rates of contributions or costs anticipated for bona fide fringe benefits or cash equivalents thereof of the types described in section 1(b)(2)(B) of the Davis-Bacon Act), daily and weekly number of hours worked, deductions made and actual wages paid. Whenever the Secretary of Labor has found under 29 CFR 5.5(a)(1)(iv) that the wages of any laborer or mechanic include the amount of any costs reasonably anticipated in providing benefits under a plan or program described in section 1(b)(2)(B) of the Davis-Bacon Act, the contractor shall maintain records which show that the commitment to provide such benefits is enforceable, that the plan or program is financially responsible, and that the plan or program has been communicated in writing to the laborers or mechanics affected, and records which show the costs anticipated or the actual cost incurred in providing such benefits. Contractors employing apprentices or trainees under approved programs shall maintain written evidence of the registration of apprenticeship programs and certification of trainee programs, the registration of the apprentices and trainees, and the ratios and wage rates prescribed in the applicable programs.

b. (1) The contractor shall submit weekly for each week in which any contract work is performed a copy of all payrolls to the contracting agency. The payrolls submitted shall set out accurately and completely all of the information required to be maintained under 29 CFR 5.5(a)(3)(i), except that full social security numbers and home addresses shall not be included on weekly transmittals. Instead the payrolls shall only need to include an individually identifying number for each employee (e.g. , the last four digits of the employee's social security number). The required weekly payroll information may be submitted in any form desired. Optional Form WH-347 is available for this purpose from the Wage and Hour Division Web site at <http://www.dol.gov/esa/whd/forms/wh347instr.htm> or its successor site. The prime contractor is responsible for the submission of copies of payrolls by all subcontractors. Contractors and subcontractors shall maintain the full social security number and current address of each covered worker, and shall provide them upon request to the contracting agency for transmission to the State DOT, the FHWA or the Wage and Hour Division of the Department of Labor for purposes of an investigation or audit of compliance with prevailing wage requirements. It is not a violation of this section for a prime contractor to require a subcontractor to provide addresses and social security numbers to the prime contractor for its own records, without weekly submission to the contracting agency..

(2) Each payroll submitted shall be accompanied by a "Statement of Compliance," signed by the contractor or subcontractor or his or her agent who pays or supervises the payment of the persons employed under the contract and shall certify the following:

(i) That the payroll for the payroll period contains the information required to be provided under §5.5 (a)(3)(ii) of Regulations, 29 CFR part 5, the appropriate information is being maintained under §5.5 (a)(3)(i) of Regulations, 29 CFR part 5, and that such information is correct and complete;

(ii) That each laborer or mechanic (including each helper, apprentice, and trainee) employed on the contract during the payroll period has been paid the full weekly wages earned, without rebate, either directly or indirectly, and that no deductions have been made either directly or indirectly from the full wages earned, other than permissible deductions as set forth in Regulations, 29 CFR part 3;

(iii) That each laborer or mechanic has been paid not less than the applicable wage rates and fringe benefits or cash equivalents for the classification of work performed, as specified in the applicable wage determination incorporated into the contract.

(3) The weekly submission of a properly executed certification set forth on the reverse side of Optional Form WH-347 shall satisfy the requirement for submission of the "Statement of Compliance" required by paragraph 3.b.(2) of this section.

(4) The falsification of any of the above certifications may subject the contractor or subcontractor to civil or criminal prosecution under section 1001 of title 18 and section 231 of title 31 of the United States Code.

c. The contractor or subcontractor shall make the records required under paragraph 3.a. of this section available for inspection, copying, or transcription by authorized representatives of the contracting agency, the State DOT, the FHWA, or the Department of Labor, and shall permit such representatives to interview employees during working hours on the job. If the contractor or subcontractor fails to submit the required records or to make them available, the FHWA may, after written notice to the contractor, the contracting agency or the State DOT, take such action as may be necessary to cause the suspension of any further payment, advance, or guarantee of funds. Furthermore, failure to submit the required records upon request or to make such records available may be grounds for debarment action pursuant to 29 CFR 5.12.

4. Apprentices and trainees

a. Apprentices (programs of the USDOL).

Apprentices will be permitted to work at less than the predetermined rate for the work they performed when they are employed pursuant to and individually registered in a bona fide apprenticeship program registered with the U.S. Department of Labor, Employment and Training Administration, Office of Apprenticeship Training, Employer and Labor Services, or with a State Apprenticeship Agency recognized by the Office, or if a person is employed in his or her first 90 days of probationary employment as an apprentice in such an apprenticeship program, who is not individually registered in the program, but who has been certified by the Office of Apprenticeship Training, Employer and Labor Services or a State Apprenticeship Agency (where appropriate) to be eligible for probationary employment as an apprentice.

The allowable ratio of apprentices to journeymen on the job site in any craft classification shall not be greater than the ratio permitted to the contractor as to the entire work force under the registered program. Any worker listed on a payroll at an apprentice wage rate, who is not registered or otherwise employed as stated above, shall be paid not less than the applicable wage rate on the wage determination for the classification of work actually performed. In addition, any apprentice performing work on the job site in excess of the ratio permitted under the registered program shall be paid not less than the applicable wage rate on the wage determination for the work actually performed. Where a contractor is performing construction on a project in a locality other than that in which its program is registered, the ratios and wage rates (expressed in percentages of the journeyman's hourly rate) specified in the contractor's or subcontractor's registered program shall be observed.

Every apprentice must be paid at not less than the rate specified in the registered program for the apprentice's level of progress, expressed as a percentage of the journeymen hourly rate specified in the applicable wage determination. Apprentices shall be paid fringe benefits in accordance with the provisions of the apprenticeship program. If the apprenticeship program does not specify fringe benefits, apprentices must be paid the full amount of fringe benefits listed on the wage determination for the applicable classification. If the Administrator determines that a different practice prevails for the applicable apprentice classification, fringes shall be paid in accordance with that determination.

In the event the Office of Apprenticeship Training, Employer and Labor Services, or a State Apprenticeship Agency recognized by the Office, withdraws approval of an apprenticeship program, the contractor will no longer be permitted to utilize apprentices at less than the applicable predetermined rate for the work performed until an acceptable program is approved.

b. Trainees (programs of the USDOL).

Except as provided in 29 CFR 5.16, trainees will not be permitted to work at less than the predetermined rate for the work performed unless they are employed pursuant to and individually registered in a program which has received prior approval, evidenced by formal certification by the U.S. Department of Labor, Employment and Training Administration.

The ratio of trainees to journeymen on the job site shall not be greater than permitted under the plan approved by the Employment and Training Administration.

Every trainee must be paid at not less than the rate specified in the approved program for the trainee's level of progress, expressed as a percentage of the journeyman hourly rate specified in the applicable wage determination. Trainees shall be paid fringe benefits in accordance with the provisions of the trainee program. If the trainee program does not mention fringe benefits, trainees shall be paid the full amount of fringe benefits listed on the wage determination unless the

Administrator of the Wage and Hour Division determines that there is an apprenticeship program associated with the corresponding journeyman wage rate on the wage determination which provides for less than full fringe benefits for apprentices. Any employee listed on the payroll at a trainee rate who is not registered and participating in a training plan approved by the Employment and Training Administration shall be paid not less than the applicable wage rate on the wage determination for the classification of work actually performed. In addition, any trainee performing work on the job site in excess of the ratio permitted under the registered program shall be paid not less than the applicable wage rate on the wage determination for the work actually performed.

In the event the Employment and Training Administration withdraws approval of a training program, the contractor will no longer be permitted to utilize trainees at less than the applicable predetermined rate for the work performed until an acceptable program is approved.

c. Equal employment opportunity. The utilization of apprentices, trainees and journeymen under this part shall be in conformity with the equal employment opportunity requirements of Executive Order 11246, as amended, and 29 CFR part 30.

d. Apprentices and Trainees (programs of the U.S. DOT).

Apprentices and trainees working under apprenticeship and skill training programs which have been certified by the Secretary of Transportation as promoting EEO in connection with Federal-aid highway construction programs are not subject to the requirements of paragraph 4 of this Section IV. The straight time hourly wage rates for apprentices and trainees under such programs will be established by the particular programs. The ratio of apprentices and trainees to journeymen shall not be greater than permitted by the terms of the particular program.

5. Compliance with Copeland Act requirements. The contractor shall comply with the requirements of 29 CFR part 3, which are incorporated by reference in this contract.

6. Subcontracts. The contractor or subcontractor shall insert Form FHWA-1273 in any subcontracts and also require the subcontractors to include Form FHWA-1273 in any lower tier subcontracts. The prime contractor shall be responsible for the compliance by any subcontractor or lower tier subcontractor with all the contract clauses in 29 CFR 5.5.

7. Contract termination: debarment. A breach of the contract clauses in 29 CFR 5.5 may be grounds for termination of the contract, and for debarment as a contractor and a subcontractor as provided in 29 CFR 5.12.

8. Compliance with Davis-Bacon and Related Act requirements. All rulings and interpretations of the Davis-Bacon and Related Acts contained in 29 CFR parts 1, 3, and 5 are herein incorporated by reference in this contract.

9. Disputes concerning labor standards. Disputes arising out of the labor standards provisions of this contract shall not be subject to the general disputes clause of this contract. Such disputes shall be resolved in accordance with the procedures of the Department of Labor set forth in 29 CFR parts 5, 6, and 7. Disputes within the meaning of this clause include disputes between the contractor (or any of its subcontractors) and the contracting agency, the U.S. Department of Labor, or the employees or their representatives.

10. Certification of eligibility.

a. By entering into this contract, the contractor certifies that neither it (nor he or she) nor any person or firm who has an interest in the contractor's firm is a person or firm ineligible to be awarded Government contracts by virtue of section 3(a) of the Davis-Bacon Act or 29 CFR 5.12(a)(1).

b. No part of this contract shall be subcontracted to any person or firm ineligible for award of a Government contract by virtue of section 3(a) of the Davis-Bacon Act or 29 CFR 5.12(a)(1).

c. The penalty for making false statements is prescribed in the U.S. Criminal Code, 18 U.S.C. 1001.

V. CONTRACT WORK HOURS AND SAFETY STANDARDS ACT

The following clauses apply to any Federal-aid construction contract in an amount in excess of \$100,000 and subject to the overtime provisions of the Contract Work Hours and Safety Standards Act. These clauses shall be inserted in addition to the clauses required by 29 CFR 5.5(a) or 29 CFR 4.6. As used in this paragraph, the terms laborers and mechanics include watchmen and guards.

1. Overtime requirements. No contractor or subcontractor contracting for any part of the contract work which may require or involve the employment of laborers or mechanics shall require or permit any such laborer or mechanic in any workweek in which he or she is employed on such work to work in excess of forty hours in such workweek unless such laborer or mechanic receives compensation at a rate not less than one and one-half times the basic rate of pay for all hours worked in excess of forty hours in such workweek.

2. Violation; liability for unpaid wages; liquidated damages. In the event of any violation of the clause set forth in paragraph (1.) of this section, the contractor and any subcontractor responsible therefor shall be liable for the unpaid wages. In addition, such contractor and subcontractor shall be liable to the United States (in the case of work done under contract for the District of Columbia or a territory, to such District or to such territory), for liquidated damages. Such liquidated damages shall be computed with respect to each individual laborer or mechanic, including watchmen and guards, employed in violation of the clause set forth in paragraph (1.) of this section, in the sum of \$10 for each calendar day on which such individual was required or permitted to work in excess of the standard workweek of forty hours without payment of the overtime wages required by the clause set forth in paragraph (1.) of this section.

3. Withholding for unpaid wages and liquidated damages. The FHWA or the contracting agency shall upon its own action or upon written request of an authorized representative of the Department of Labor withhold or cause to be withheld, from any moneys payable on account of work performed by the contractor or subcontractor under any such contract or any other Federal contract with the same prime contractor, or any other federally-assisted contract subject to the Contract Work Hours and Safety Standards Act, which is held by the same prime contractor, such sums as may be determined to be necessary to satisfy any liabilities of such contractor or subcontractor for unpaid wages and liquidated damages as provided in the clause set forth in paragraph (2.) of this section.

4. Subcontracts. The contractor or subcontractor shall insert in any subcontracts the clauses set forth in paragraph (1.) through (4.) of this section and also a clause requiring the subcontractors to include these clauses in any lower tier subcontracts. The prime contractor shall be responsible for compliance by any subcontractor or lower tier subcontractor with the clauses set forth in paragraphs (1.) through (4.) of this section.

VI. SUBLETTING OR ASSIGNING THE CONTRACT

This provision is applicable to all Federal-aid construction contracts on the National Highway System.

1. The contractor shall perform with its own organization contract work amounting to not less than 30 percent (or a greater percentage if specified elsewhere in the contract) of the total original contract price, excluding any specialty items designated by the contracting agency. Specialty items may be performed by subcontract and the amount of any such specialty items performed may be deducted from the total original contract price before computing the amount of work required to be performed by the contractor's own organization (23 CFR 635.116).

a. The term "perform work with its own organization" refers to workers employed or leased by the prime contractor, and equipment owned or rented by the prime contractor, with or without operators. Such term does not include employees or equipment of a subcontractor or lower tier subcontractor, agents of the prime contractor, or any other assignees. The term may include payments for the costs of hiring leased employees from an employee leasing firm meeting all relevant Federal and State regulatory requirements. Leased employees may only be included in this term if the prime contractor meets all of the following conditions:

(1) the prime contractor maintains control over the supervision of the day-to-day activities of

the
leased employees;

- (2) the prime contractor remains responsible for the quality of the work of the leased employees;
- (3) the prime contractor retains all power to accept or exclude individual employees from work on the project; and
- (4) the prime contractor remains ultimately responsible for the payment of predetermined minimum wages, the submission of payrolls, statements of compliance and all other Federal regulatory requirements.

b. "Specialty Items" shall be construed to be limited to work that requires highly specialized knowledge, abilities, or equipment not ordinarily available in the type of contracting organizations qualified and expected to bid or propose on the contract as a whole and in general are to be limited to minor components of the overall contract.

2. The contract amount upon which the requirements set forth in paragraph (1) of Section VI is computed includes the cost of material and manufactured products which are to be purchased or produced by the contractor under the contract provisions.

3. The contractor shall furnish (a) a competent superintendent or supervisor who is employed by the firm, has full authority to direct performance of the work in accordance with the contract requirements, and is in charge of all construction operations (regardless of who performs the work) and (b) such other of its own organizational resources (supervision, management, and engineering services) as the contracting officer determines is necessary to assure the performance of the contract.

4. No portion of the contract shall be sublet, assigned or otherwise disposed of except with the written consent of the contracting officer, or authorized representative, and such consent when given shall not be construed to relieve the contractor of any responsibility for the fulfillment of the contract. Written consent will be given only after the contracting agency has assured that each subcontract is evidenced in writing and that it contains all pertinent provisions and requirements of the prime contract.

5. The 30% self-performance requirement of paragraph (1) is not applicable to design-build contracts; however, contracting agencies may establish their own self-performance requirements.

VII. SAFETY: ACCIDENT PREVENTION

This provision is applicable to all Federal-aid construction contracts and to all related subcontracts.

1. In the performance of this contract the contractor shall comply with all applicable Federal, State, and local laws governing safety, health, and sanitation (23 CFR 635). The contractor shall provide all safeguards, safety devices and protective equipment and take any other needed actions as it determines, or as the contracting officer may determine, to be reasonably necessary to protect the life and health of employees on the job and the safety of the public and to protect property in connection with the performance of the work covered by the contract.

2. It is a condition of this contract, and shall be made a condition of each subcontract, which the contractor enters into pursuant to this contract, that the contractor and any subcontractor shall not permit any employee, in performance of the contract, to work in surroundings or under conditions which are unsanitary, hazardous or dangerous to his/her health or safety, as determined under construction safety and health standards (29 CFR 1926) promulgated by the Secretary of Labor, in accordance with Section 107 of the Contract Work Hours and Safety Standards Act (40 U.S.C. 3704).

3. Pursuant to 29 CFR 1926.3, it is a condition of this contract that the Secretary of Labor or authorized representative thereof, shall have right of entry to any site of contract performance to inspect or investigate the matter of compliance with the construction safety and health standards and to carry out the duties of the Secretary under Section 107 of the Contract Work Hours and Safety Standards Act (40 U.S.C. 3704).

VIII. FALSE STATEMENTS CONCERNING HIGHWAY PROJECTS

This provision is applicable to all Federal-aid construction contracts and to all related subcontracts.

In order to assure high quality and durable construction in conformity with approved plans and specifications and a high degree of reliability on statements and representations made by engineers, contractors, suppliers, and workers on Federal-aid highway projects, it is essential that all persons concerned with the project perform their functions as carefully, thoroughly, and honestly as possible. Willful falsification, distortion, or misrepresentation with respect to any facts related to the project is a violation of Federal law. To prevent any misunderstanding regarding the seriousness of these and similar acts, Form FHWA-1022 shall be posted on each Federal-aid highway project (23 CFR 635) in one or more places where it is readily available to all persons concerned with the project:

18 U.S.C. 1020 reads as follows:

"Whoever, being an officer, agent, or employee of the United States, or of any State or Territory, or whoever, whether a person, association, firm, or corporation, knowingly makes any false statement, false representation, or false report as to the character, quality, quantity, or cost of the material used or to be used, or the quantity or quality of the work performed or to be performed, or the cost thereof in connection with the submission of plans, maps, specifications, contracts, or costs of construction on any highway or related project submitted for approval to the Secretary of Transportation; or

Whoever knowingly makes any false statement, false representation, false report or false claim with respect to the character, quality, quantity, or cost of any work performed or to be performed, or materials furnished or to be furnished, in connection with the construction of any highway or related project approved by the Secretary of Transportation; or

Whoever knowingly makes any false statement or false representation as to material fact in any statement, certificate, or report submitted pursuant to provisions of the Federal-aid Roads Act approved July 1, 1916, (39 Stat. 355), as amended and supplemented;

Shall be fined under this title or imprisoned not more than 5 years or both."

IX. IMPLEMENTATION OF CLEAN AIR ACT AND FEDERAL WATER POLLUTION CONTROL ACT

This provision is applicable to all Federal-aid construction contracts and to all related subcontracts.

By submission of this bid/proposal or the execution of this contract, or subcontract, as appropriate, the bidder, proposer, Federal-aid construction contractor, or subcontractor, as appropriate, will be deemed to have stipulated as follows:

1. That any person who is or will be utilized in the performance of this contract is not prohibited from receiving an award due to a violation of Section 508 of the Clean Water Act or Section 306 of the Clean Air Act.

2. That the contractor agrees to include or cause to be included the requirements of paragraph (1) of this Section X in every subcontract, and further agrees to take such action as the contracting agency may direct as a means of enforcing such requirements.

X. CERTIFICATION REGARDING DEBARMENT, SUSPENSION, INELIGIBILITY AND VOLUNTARY EXCLUSION

This provision is applicable to all Federal-aid construction contracts, design-build contracts, subcontracts, lower-tier subcontracts, purchase orders, lease agreements, consultant contracts or any other covered transaction requiring FHWA approval or that is estimated to cost \$25,000 or more – as defined in 2 CFR Parts 180 and 1200.

1. Instructions for Certification – First Tier Participants:

a. By signing and submitting this proposal, the prospective first tier participant is providing the certification set out below.

b. The inability of a person to provide the certification set out below will not necessarily result in denial of participation in this covered transaction. The prospective first tier participant shall submit an explanation of why it cannot provide the certification set out below. The certification or explanation will be considered in connection with the department or agency's determination whether to enter into this transaction. However, failure of the prospective first tier participant to furnish a certification or an explanation shall disqualify such a person from participation in this transaction.

c. The certification in this clause is a material representation of fact upon which reliance was placed when the contracting agency determined to enter into this transaction. If it is later determined that the prospective participant knowingly rendered an erroneous certification, in addition to other remedies available to the Federal Government, the contracting agency may terminate this transaction for cause of default.

d. The prospective first tier participant shall provide immediate written notice to the contracting agency to whom this proposal is submitted if any time the prospective first tier participant learns that its certification was erroneous when submitted or has become erroneous by reason of changed circumstances.

e. The terms "covered transaction," "debarred," "suspended," "ineligible," "participant," "person," "principal," and "voluntarily excluded," as used in this clause, are defined in 2 CFR Parts 180 and 1200. "First Tier Covered Transactions" refers to any covered transaction between a grantee or subgrantee of Federal funds and a participant (such as the prime or general contract). "Lower Tier Covered Transactions" refers to any covered transaction under a First Tier Covered Transaction (such as subcontracts). "First Tier Participant" refers to the participant who has entered into a covered transaction with a grantee or subgrantee of Federal funds (such as the prime or general contractor). "Lower Tier Participant" refers to any participant who has entered into a covered transaction with a First Tier Participant or other Lower Tier Participants (such as subcontractors and suppliers).

f. The prospective first tier participant agrees by submitting this proposal that, should the proposed covered transaction be entered into, it shall not knowingly enter into any lower tier covered transaction with a person who is debarred, suspended, declared ineligible, or voluntarily excluded from participation in this covered transaction, unless authorized by the department or agency entering into this transaction.

g. The prospective first tier participant further agrees by submitting this proposal that it will include the clause titled "Certification Regarding Debarment, Suspension, Ineligibility and Voluntary Exclusion-Lower Tier Covered Transactions," provided by the department or contracting agency, entering into this covered transaction, without modification, in all lower tier covered transactions and in all solicitations for lower tier covered transactions exceeding the \$25,000 threshold.

h. A participant in a covered transaction may rely upon a certification of a prospective participant in a lower tier covered transaction that is not debarred, suspended, ineligible, or voluntarily excluded from the covered transaction, unless it knows that the certification is erroneous. A participant is responsible for ensuring that its principals are not suspended, debarred, or otherwise ineligible to participate in covered transactions. To verify the eligibility of its principals, as well as the eligibility of any lower tier prospective participants, each participant may, but is not required to, check the Excluded Parties List System website (<https://www.epls.gov/>), which is compiled by the General Services Administration.

i. Nothing contained in the foregoing shall be construed to require the establishment of a system of records in order to render in good faith the certification required by this clause. The knowledge and information of the prospective participant is not required to exceed that which is normally possessed by a prudent person in the ordinary course of business dealings.

j. Except for transactions authorized under paragraph (f) of these instructions, if a participant in a covered transaction knowingly enters into a lower tier covered transaction with a person who is suspended, debarred, ineligible, or voluntarily excluded from participation in this transaction, in

addition to other remedies available to the Federal Government, the department or agency may terminate this transaction for cause or default.

* * * * *

2. Certification Regarding Debarment, Suspension, Ineligibility and Voluntary Exclusion – First Tier Participants:

a. The prospective first tier participant certifies to the best of its knowledge and belief, that it and its principals:

(1) Are not presently debarred, suspended, proposed for debarment, declared ineligible, or voluntarily excluded from participating in covered transactions by any Federal department or agency;

(2) Have not within a three-year period preceding this proposal been convicted of or had a civil judgment rendered against them for commission of fraud or a criminal offense in connection with obtaining, attempting to obtain, or performing a public (Federal, State or local) transaction or contract under a public transaction; violation of Federal or State antitrust statutes or commission of embezzlement, theft, forgery, bribery, falsification or destruction of records, making false statements, or receiving stolen property;

(3) Are not presently indicted for or otherwise criminally or civilly charged by a governmental entity (Federal, State or local) with commission of any of the offenses enumerated in paragraph (a)(2) of this certification; and

(4) Have not within a three-year period preceding this application/proposal had one or more public transactions (Federal, State or local) terminated for cause or default.

b. Where the prospective participant is unable to certify to any of the statements in this certification, such prospective participant shall attach an explanation to this proposal.

2. Instructions for Certification - Lower Tier Participants:

(Applicable to all subcontracts, purchase orders and other lower tier transactions requiring prior FHWA approval or estimated to cost \$25,000 or more - 2 CFR Parts 180 and 1200)

a. By signing and submitting this proposal, the prospective lower tier is providing the certification set out below.

b. The certification in this clause is a material representation of fact upon which reliance was placed when this transaction was entered into. If it is later determined that the prospective lower tier participant knowingly rendered an erroneous certification, in addition to other remedies available to the Federal Government, the department, or agency with which this transaction originated may pursue available remedies, including suspension and/or debarment.

c. The prospective lower tier participant shall provide immediate written notice to the person to which this proposal is submitted if at any time the prospective lower tier participant learns that its certification was erroneous by reason of changed circumstances.

d. The terms "covered transaction," "debarred," "suspended," "ineligible," "participant," "person," "principal," and "voluntarily excluded," as used in this clause, are defined in 2 CFR Parts 180 and 1200. You may contact the person to which this proposal is submitted for assistance in obtaining a copy of those regulations. "First Tier Covered Transactions" refers to any covered transaction between a grantee or subgrantee of Federal funds and a participant (such as the prime or general contract). "Lower Tier Covered Transactions" refers to any covered transaction under a First Tier Covered Transaction (such as subcontracts). "First Tier Participant" refers to the participant who has entered into a covered transaction with a grantee or subgrantee of Federal funds (such as the prime or general contractor). "Lower Tier Participant" refers any participant who has entered into a covered transaction with a First Tier Participant or other Lower

Tier Participants (such as subcontractors and suppliers).

e. The prospective lower tier participant agrees by submitting this proposal that, should the proposed covered transaction be entered into, it shall not knowingly enter into any lower tier covered transaction with a person who is debarred, suspended, declared ineligible, or voluntarily excluded from participation in this covered transaction, unless authorized by the department or agency with which this transaction originated.

f. The prospective lower tier participant further agrees by submitting this proposal that it will include this clause titled "Certification Regarding Debarment, Suspension, Ineligibility and Voluntary Exclusion-Lower Tier Covered Transaction," without modification, in all lower tier covered transactions and in all solicitations for lower tier covered transactions exceeding the \$25,000 threshold.

g. A participant in a covered transaction may rely upon a certification of a prospective participant in a lower tier covered transaction that is not debarred, suspended, ineligible, or voluntarily excluded from the covered transaction, unless it knows that the certification is erroneous. A participant is responsible for ensuring that its principals are not suspended, debarred, or otherwise ineligible to participate in covered transactions. To verify the eligibility of its principals, as well as the eligibility of any lower tier prospective participants, each participant may, but is not required to, check the Excluded Parties List System website (<https://www.epls.gov/>), which is compiled by the General Services Administration.

h. Nothing contained in the foregoing shall be construed to require establishment of a system of records in order to render in good faith the certification required by this clause. The knowledge and information of participant is not required to exceed that which is normally possessed by a prudent person in the ordinary course of business dealings.

i. Except for transactions authorized under paragraph e of these instructions, if a participant in a covered transaction knowingly enters into a lower tier covered transaction with a person who is suspended, debarred, ineligible, or voluntarily excluded from participation in this transaction, in addition to other remedies available to the Federal Government, the department or agency with which this transaction originated may pursue available remedies, including suspension and/or debarment.

* * * * *

Certification Regarding Debarment, Suspension, Ineligibility and Voluntary Exclusion--Lower Tier Participants:

1. The prospective lower tier participant certifies, by submission of this proposal, that neither it nor its principals is presently debarred, suspended, proposed for debarment, declared ineligible, or voluntarily excluded from participating in covered transactions by any Federal department or agency.

2. Where the prospective lower tier participant is unable to certify to any of the statements in this certification, such prospective participant shall attach an explanation to this proposal.

FEMALES AND MINORITY GOALS

To comply with Section II, "Nondiscrimination," of "Required Contract Provisions Federal-Aid Construction Contracts," the following are goals for female and minority utilization goals for Federal-aid construction contracts and subcontracts that exceed \$10,000:

The nationwide goal for female utilization is 6.9 percent.

The goals for minority utilization [45 Fed Reg 65984 (10/3/1980)] are as follows:

MINORITY UTILIZATION GOALS

Economic Area		Goal (Percent)
174	Redding CA: Non-SMSA (Standard Metropolitan Statistical Area) Counties: CA Lassen; CA Modoc; CA Plumas; CA Shasta; CA Siskiyou; CA Tehama	6.8
175	Eureka, CA Non-SMSA Counties: CA Del Norte; CA Humboldt; CA Trinity	6.6
176	San Francisco-Oakland-San Jose, CA: SMSA Counties: 7120 Salinas-Seaside-Monterey, CA	28.9
	CA Monterey	25.6
	7360 San Francisco-Oakland CA Alameda; CA Contra Costa; CA Marin; CA San Francisco; CA San	19.6
	7400 San Jose, CA CA Santa Clara, CA	14.9
	7485 Santa Cruz, CA Santa Cruz	9.1
	7500 Santa Rosa CA Sonoma	17.1
	8720 Vallejo-Fairfield-Napa, CA CA Napa; CA Solano Non-SMSA Counties: CA Lake; CA Mendocino; CA San Benito	23.2
177	Sacramento, CA: SMSA Counties: 6920 Sacramento, CA CA Placer; CA Sacramento; CA Yolo	16.1
	Non-SMSA Counties CA Butte; CA Colusa; CA El Dorado; CA Glenn; CA Nevada; CA Sierra; Sutter; CA Yuba	14.3

178	Stockton-Modesto, CA: SMSA Counties: 5170 Modesto, CACA Stanislaus	12.3
	8120 Stockton, CACA San Joaquin	24.3
	Non-SMSA Counties CA Alpine; CA Amador; CA Calaveras; CA Mariposa; CA Merced; CA Tuolumne	19.8
179	Fresno-Bakersfield, CASMSA Counties: 0680 Bakersfield, CACA Kern	19.1
	2840 Fresno, CACA Fresno	26.1
	Non-SMSA Counties: CA Kings; CA Madera; CA Tulare	23.6
180	Los Angeles, CA: SMSA Counties: 0360 Anaheim-Santa Ana-Garden Grove, CACA Orange	11.9
	4480 Los Angeles-Long Beach, CACA Los Angeles	28.3
	6000 Oxnard-Simi Valley-Ventura, CACA Ventura	21.5
	6780 Riverside-San Bernardino-Ontario, CA CA Riverside; CA San Bernardino	19.0
	7480 Santa Barbara-Santa Maria-Lompoc, CACA Santa Barbara	19.7
	Non-SMSA Counties CA Inyo; CA Mono; CA San Luis Obispo	24.6
181	San Diego, CA: SMSA Counties 7320 San Diego, CACA San Diego	16.9
	Non-SMSA CountiesCA Imperial	18.2

For each July during which work is performed under the contract, you and each nonmaterial-supplier subcontractor with a subcontract of \$10,000 or more must complete Form FHWA PR-1391 (Appendix C to 23 CFR 230). Submit the forms by August 15.

TITLE VI

FEMALES AND MINORITY GOALS

During the performance of this Agreement, the contractor, for itself, its assignees and successors in interest (hereinafter collectively referred to as Contractor) agrees as follows:

- (1) Compliance with Regulations: CONTRACTOR shall comply with the regulations relative to nondiscrimination in federally assisted programs of the Department of Transportation, Title 49, Code of Federal Regulations, Part 21, as they may be amended from time to time, (hereinafter referred to as the REGULATIONS), which are herein incorporated by reference and made a part of this agreement.
- (2) Nondiscrimination: CONTRACTOR, with regard to the work performed by it during the AGREEMENT, shall not discriminate on the grounds of race, color, sex, national origin, religion, age, or disability in the selection and retention of sub-applicants, including procurements of materials and leases of equipment. CONTRACTOR shall not participate either directly or indirectly in the discrimination prohibited by Section 21.5 of the Regulations, including employment practices when the agreement covers a program set forth in Appendix B of the Regulations.
- (3) Solicitations for Sub-agreements, Including Procurements of Materials and Equipment: In all solicitations either by competitive bidding or negotiation made by CONTRACTOR for work to be performed under a Sub-agreement, including procurements of materials or leases of equipment, each potential sub-applicant or supplier shall be notified by CONTRACTOR of the CONTRACTOR'S obligations under this Agreement and the Regulations relative to nondiscrimination on the grounds of race, color, or national origin.
- (4) Information and Reports: CONTRACTOR shall provide all information and reports required by the Regulations, or directives issued pursuant thereto, and shall permit access to its books, records, accounts, other sources of information, and its facilities as may be determined by the California Department of Transportation or FHWA to be pertinent to ascertain compliance with such Regulations or directives. Where any information required of CONTRACTOR is in the exclusive possession of another who fails or refuses to furnish this information, CONTRACTOR shall so certify to the California Department of Transportation or the FHWA as appropriate, and shall set forth what efforts CONTRACTOR has made to obtain the information.
- (5) Sanctions for Noncompliance: In the event of CONTRACTOR's noncompliance with the nondiscrimination provisions of this agreement, the California Department of Transportation shall impose such agreement sanctions as it or the FHWA may determine to be appropriate, including, but not limited to:
 - (a) withholding of payments to CONTRACTOR under the Agreement within a reasonable period of time, not to exceed 90 days; and/or
 - (b) cancellation, termination or suspension of the Agreement, in whole or in part.
- (6) Incorporation of Provisions: CONTRACTOR shall include the provisions of paragraphs (1) through (6) in every sub-agreement, including procurements of materials and leases of equipment, unless exempt by the Regulations, or directives issued pursuant thereto.

CONTRACTOR shall take such action with respect to any sub-agreement or procurement as the California Department of Transportation or FHWA may direct as a means of enforcing such provisions including sanctions for noncompliance, provided, however, that, in the event CONTRACTOR becomes involved in, or is threatened with, litigation with a sub-applicant or supplier as a result of such direction, CONTRACTOR may request the California Department of Transportation enter into such litigation to protect the interests of the State, and, in addition, CONTRACTOR may request the United States to enter into such litigation to protect the interests of the United States

USE OF THE UNITED STATES – FLAG VESSELS

The CONTRACTOR agrees-

1. To utilize privately owned United States-flag commercial vessels to ship at least 50 percent of the gross tonnage (computed separately for dry bulk carriers, dry cargo liners, and tankers) involved, whenever shipping any equipment, material, or commodities pursuant to this contract, to the extent such vessels are available at fair and reasonable rates for United States-flag commercial vessels.
2. To furnish within 20 days following the date of loading for shipments originating within the United States or within 30 working days following the date of loading for shipments originating outside the United States, a legible copy of a rated "on-board" commercial ocean bill-of-lading in English for each shipment of cargo described in paragraph (1) of this section to both the Contracting Officer (through the prime contractor in the case of subcontractor bills-of-lading) and to the Division of National Cargo, Office of Market Development, Maritime Administration, Washington, DC 20590.
3. To insert the substance of the provisions of this clause in all subcontracts issued pursuant to this contract.

CITY OF IMPERIAL
BID PROPOSAL
For
7TH, 10TH & 14TH STREETS REHABILITATION PROJECT
BID NO. 2024-01

TO CITY OF IMPERIAL, as CITY:

In accordance with CITY's "Notice Inviting Sealed Bids", the undersigned BIDDER hereby proposes to furnish all materials, equipment, tools, labor, and incidentals required for the above stated project as set forth in the Contract Documents, and to perform all work in the manner and time prescribed.

BIDDER declares that this proposal is based upon careful examination of the work site, Plans, Specifications, Instructions to Bidders, and Contract Documents. If this proposal is accepted for award, BIDDER agrees to enter into a contract with the CITY at the unit and/or lump sum prices set forth in the following Proposal Bid Sheet. BIDDER understands that failure to enter into a contract in the manner and time prescribed will result in forfeiture to the CITY of the Bid Bond accompanying this proposal.

BIDDER understands that a bid is required for the entire work that the estimated quantities set forth in the Proposal Bid Sheet are solely for the purpose of comparing bids, and that final compensation under the contract will be based upon the actual quantities of work satisfactorily completed. It is agreed that the unit and/or lump sum prices bid include all appurtenant expenses, taxes, royalties, and fees. In the case of discrepancies in the amounts bid, unit prices shall govern over extended amounts.

BIDDER agrees and acknowledges that he is aware of the provisions of Section 3700 of the Labor Code which requires every employer to be insured against liability for workman's compensation or to undertake self-insurance in accordance with the provisions of that code, and that the BIDDER will comply with such provisions of that code before commencing the performance of this Contract if awarded it.

BIDDER certifies that in all previous contracts or subcontracts, all reports which may have been due under the requirements of any agency, State, or Federal equal employment opportunity orders have been satisfactorily filed, and that no such reports are currently outstanding.

BIDDER declares that the only persons or parties interested in this proposal as principals are those named herein; that no officer, agent, or employee of the CITY is personally interested, directly or indirectly, in this proposal; that this proposal is made without connection to any other individual, firm, or corporation making a bid for the same work; and that this proposal is in all respects fair and without collusion or fraud.

BIDDER certifies that affirmative action has been taken to seek out and consider disadvantaged business enterprises for those portions of the work to be subcontracted, and that such affirmative actions have been carefully documented, that said documentation is open to inspection, and that said affirmative action will remain in effect for the life of any contract awarded hereunder. Furthermore, BIDDER certifies that affirmative action will be taken to meet all equal employment opportunity requirements of the contract documents.

DATED: _____, 2024

BIDDER: _____

BIDDER'S ADDRESS:

BY: _____

TITLE: _____

TELEPHONE #: _____

FAX #: _____

BIDDER 'S INFORMATION

BIDDER certifies that the following information is true and correct:

Bidder's Name _____

Business Address _____

Telephone _____

State Contractor's License No. and Class _____

Original Date Issued _____ Expiration Date _____

The following are the names, titles, addresses, and phone numbers of all individuals, firm members, partners, joint ventures, and/or corporate officers having a principal interest in this proposal:

The dates of any voluntary or involuntary bankruptcy judgments against any principal having an interest in this proposal are as follows:

All current and prior DBA's, alias, and/or fictitious business names for any principal having an interest in this proposal are as follows:

CONTRACTOR'S LICENSING STATEMENT

The undersigned is licensed in accordance with the laws of the State of California providing for the registration of Contractors.

Contractor's License Number: _____

Name of Individual Contractor (Print or type): _____

Signature of Owner: _____

Business Address: _____

Or

Name of Firm: _____

Business Address: _____

Name: _____ Title: _____

Address: _____

Or

Name of Corporation: _____

Corporation Address: _____

Corporation organized under the laws of the State of _____

Signature of President of Corporation

Signature of Secretary of Corporation

LIST OF SUBCONTRACTORS

BIDDER proposes to subcontract certain portions of the work, and to procure materials and equipment from suppliers and vendors as follows:

Name Under Which Subcontractor Is Licensed	Specific License of No.	Address Office Mill/Shop	Percent of Total Contract	Description of Subcontract

REFERENCES

The following are the names, addresses, and phone numbers for three public agencies for which BIDDER has performed similar work within the past two years:

DESIGNATION OF SURETIES

The following are the names, addresses, and phone numbers for all brokers and sureties from whom BIDDER intends to procure insurance and bonds:

**CITY OF IMPERIAL
BID BOND**

7TH, 10TH & 14TH STREETS REHABILITATION PROJECT

BID NO. 2024-01

KNOW ALL MEN BY THESE PRESENTS that _____

as BIDDER, and _____

as SURETY, are held and firmly bound unto the CITY OF IMPERIAL, as CITY, in the penal sum of _____ dollars (\$ _____), which is ten percent (10%) of the total amount bid by BIDDER to the CITY for the above stated project, for the payment of which sum, BIDDER and SURETY agree to be bound, jointly and severally, firmly by these presents.

THE CONDITIONS OF THIS OBLIGATION ARE SUCH that, whereas BIDDER is about to submit a bid to CITY for the above stated project, if said bid is rejected, or if said bid is accepted and a contract is awarded and entered into by BIDDER in the manner and time specified, then this obligation shall be null and void, otherwise it shall remain in full force and effect in favor of AGENCY.

WITNESS our hands this ____ day of _____, 2024.

(seal)

CONTRACTOR (CORPORATION) – TYPE

By: _____
President

By _____
Secretary/Treasurer

NOTE: SIGNATURE OF CORPORATE OFFICIALS MUST BE NOTARIZED.

Subscribed and sworn to before me
this _____ day of _____, 2024.

Notary Public _____

SURETY'S NAME-TYPE

Mailing Address_____

By: _____
Name

Title_____

NOTE: SIGNATURE OF SURETY MUST BE NOTARIZED.

Subscribed and sworn to before me
this _____ day of _____, 2024.

Notary Public _____

(seal)

NON-COLLUSION AFFIDAVIT

STATE OF CALIFORNIA)
) SS
COUNTY OF _____)

_____ being first duly sworn deposes and says that he is _____ (sole owner, a partner, president, etc.) of _____ the party making the foregoing bid; that such bid is not made in the interest of or behalf of any undisclosed person, partnership, company, association, organization or corporation, that such bid is genuine and not collusive or a sham, that said bidder has not directly or indirectly induced or solicited any other bidder to put in a sham bid, or that anyone shall refrain from bidding, that said bidder has not in any manner, directly or indirectly sought by agreements, communication or conference with anyone to fix the bid price of said bidder or of any other bidder, or to fix the overhead, profit, or cost element of such bid price, or of that of any other bidder, or to secure any advantage against the public body awarding the contract or anyone interested in the proposed contract; that all statements contained in such bid are true, and further, that said bidder has not, directly or indirectly submitted his bid price, or any breakdown thereof, or the contents thereof, or divulged information or data relative thereto, or paid and will not pay any fee in connection, organization, bid depository, or to any member or persons as have a partnership or other financial interest with said bidder in his general business.

Signed: _____

Title: _____

Subscribed and sworn to before me
this _____ day of _____, 2024.

Notary Public _____

EQUAL EMPLOYMENT OPPORTUNITY
CERTIFICATION EXHIBIT 12-E

The bidder _____, proposed subcontractor(s) _____, hereby certifies that he/she has, ___has not_____, participated in a previous contract or subcontract subject to the equal opportunity clauses, as required by Executive Orders 10925, 11114, or 11246, and that, where required, he has filed with the Joint Reporting Committee, the Director of the Office of Federal Contract Compliance, a Federal Government contracting or administering agency, or the former President's Committee on Equal Employment Opportunity, all reports due under the applicable filing requirements.

Note: The above certification is required by the Equal Employment Opportunity Regulations of the Secretary of Labor (41 CFR 60-1.7(b) (1)), and must be submitted by bidders and proposed subcontractors only in connection with contracts and subcontracts which are subject to the equal opportunity clause. Contracts and subcontracts which are exempt from the equal opportunity clause are set forth in 41 CFR 60-1.5. (Generally only contracts or subcontracts of \$10,000 or under are exempt.)

Currently, Standard Form 100 (EEO-1) is the only report required by the Executive Orders or their implementing regulations.

Proposed prime contractors and subcontractors who have participated in a previous contract or subcontract subject to the Executive Orders and have not filed the required reports should note that 41 CFR 60-1.7(b) (1) prevents the award of contracts and subcontracts unless such contractor submits a report covering the delinquent period or such other period specified by the Federal Highway Administration or by the Director, Office of Federal Contract Compliance, U.S. Department of Labor.

DEBARMENT AND SUSPENSION CERTIFICATION
EXHIBIT 12-E

TITLE 49, CODE OF FEDERAL REGULATIONS, PART 29

The bidder, under penalty of perjury, certifies that, except as noted below, he/she or any other person associated therewith in the capacity of owner, partner, director, officer, manager:

- Is not currently under suspension, debarment, voluntary exclusion, or determination of ineligibility by any federal agency;
- Has not been suspended, debarred, voluntarily excluded or determined ineligible by any federal agency within the past 3 years;
- Does not have a proposed debarment pending; and
- Has not been indicted, convicted, or had a civil judgment rendered against it by a court of competent jurisdiction in any matter involving fraud or official misconduct within the past 3 years.

If there are any exceptions to this certification, insert the exceptions in the following space.

Exceptions will not necessarily result in denial of award but will be considered in determining bidder responsibility. For any exception noted above, indicate below to whom it applies, initiating agency, and dates of action.

Notes: Providing false information may result in criminal prosecution or administrative sanctions. The above certification is part of the Proposal. Signing this Proposal on the signature portion thereof shall also constitute signature of this Certification.

NAME OF CONTRACTOR _____

ADDRESS: _____

SIGNATURE: _____

DATE: _____

**NON-LOBBYING CERTIFICATION FOR FEDERAL
AID CONTRACTS - EXHIBIT 12-E**

The prospective participant certifies, by signing and submitting this bid or proposal, to the best of his or her knowledge and belief, that:

(1) No federal appropriated funds have been paid or will be paid, by or on behalf of the undersigned, to any person for influencing or attempting to influence an officer or employee of any federal agency, a Member of Congress, an officer or employee of Congress, or an employee of a Member of Congress in connection with the awarding of any federal contract, the making of any federal grant, the making of any federal loan, the entering into of any cooperative agreement, and the extension, continuation, renewal, amendment, or modification of any federal contract, grant, loan, or cooperative agreement.

(2) If any funds other than federal appropriated funds have been paid or will be paid to any person for influencing or attempting to influence an officer or employee of any federal agency, a Member of Congress, an officer or employee of Congress, or an employee of a Member of Congress in connection with this federal contract, grant, loan, or cooperative agreement, the undersigned shall complete and submit Standard Form-LLL, "Disclosure of Lobbying Activities," in accordance with its instructions.

This certification is a material representation of fact upon which reliance was placed when this transaction was made or entered into. Submission of this certification is a prerequisite for making or entering into this transaction imposed by Section 1352, Title 31, U.S. Code. Any person who fails to file the required certification shall be subject to a civil penalty of not less than \$10,000 and not more than \$100,000 for each such failure.

The prospective participant also agrees by submitting his or her bid or proposal that he or she shall require that the language of this certification be included in all lower tier subcontracts, which exceed \$100,000 and that all such subrecipients shall certify and disclose accordingly.

NAME OF CONTRACTOR _____

ADDRESS: _____

SIGNATURE: _____

DATE: _____

DISCLOSURE OF LOBBYING ACTIVITIES

COMPLETE THIS FORM TO DISCLOSE LOBBYING ACTIVITIES PURSUANT TO 31 U.S.C. 1352

<p>1. Type of Federal Action:</p> <p><input type="checkbox"/> a. contract <input type="checkbox"/> b. grant <input type="checkbox"/> c. cooperative agreement <input type="checkbox"/> d. loan <input type="checkbox"/> e. loan guarantee <input type="checkbox"/> f. loan insurance</p>	<p>2. Status of Federal Action:</p> <p><input type="checkbox"/> a. bid/offer/application <input type="checkbox"/> b. initial award <input type="checkbox"/> c. post-award</p>	<p>3. Report Type:</p> <p><input type="checkbox"/> a. initial <input type="checkbox"/> b. material change</p> <p style="text-align: right;">For Material Change Only:</p> <p style="text-align: right;">year _____ quarter _____ date of last report _____</p>
<p>4. Name and Address of Reporting Entity</p> <p><input type="checkbox"/> Prime <input type="checkbox"/> Subawardee Tier _____, if known</p> <p style="text-align: center;">Congressional District, if known</p>	<p>5. If Reporting Entity in No. 4 is Subawardee, Enter Name and Address of Prime:</p> <p style="text-align: center;">Congressional District, if known</p>	
<p>6. Federal Department/Agency:</p>	<p>7. Federal Program Name/Description:</p> <p style="text-align: right;">CFDA Number, if applicable _____</p>	
<p>8. Federal Action Number, if known:</p>	<p>9. Award Amount, if known:</p>	
<p>10. a. Name and Address of Lobby Entity (If individual, last name, first name, MI)</p>	<p>b. Individuals Performing Services (including address if different from No. 10a) (last name, first name, MI)</p>	
(attach Continuation Sheet(s) if necessary)		
<p>11. Amount of Payment (check all that apply)</p> <p>\$ _____ <input type="checkbox"/> actual <input type="checkbox"/> planned</p>	<p>13. Type of Payment (check all that apply)</p> <p><input type="checkbox"/> a. retainer <input type="checkbox"/> b. one-time fee <input type="checkbox"/> c. commission <input type="checkbox"/> d. contingent fee <input type="checkbox"/> e. deferred <input type="checkbox"/> f. other, specify _____</p>	
<p>12. Form of Payment (check all that apply):</p> <p><input type="checkbox"/> a. cash <input type="checkbox"/> b. in-kind; specify: nature _____ value _____</p>		
<p>14. Brief Description of Services Performed or to be performed and Date(s) of Service, including officer(s), employee(s), or member(s) contacted, for Payment Indicated in Item 11:</p> <p style="text-align: center;">(attach Continuation Sheet(s) if necessary)</p>		
<p>15. Continuation Sheet(s) attached: Yes No</p>		
<p>16. Information requested through this form is authorized by Title 31 U.S.C. Section 1352. This disclosure of lobbying reliance was placed by the tier above when his transaction was made or entered into. This disclosure is required pursuant to 31 U.S.C. 1352. This information will be reported to Congress semiannually and will be available for public inspection. Any person who fails to file the required disclosure shall be subject to a civil penalty of not less than \$10,000 and not more than \$100,000 for each such failure.</p>		
		<p>Signature: _____ Print Name: _____ Title: _____ Telephone No.: _____ Date: _____</p>

Federal Use Only:

Authorized for Local Reproduction
Standard Form - LLL

Standard Form LLL Rev. 09-12-97

INSTRUCTIONS FOR COMPLETION OF SF-LLL, DISCLOSURE OF LOBBYING ACTIVITIES

This disclosure form shall be completed by the reporting entity, whether subawardee or prime federal recipient, at the initiation or receipt of covered federal action or a material change to previous filing pursuant to title 31 U.S.C. Section 1352. The filing of a form is required for such payment or agreement to make payment to lobbying entity for influencing or attempting to influence an officer or employee of any agency, a Member of Congress an officer or employee of Congress or an employee of a Member of Congress in connection with a covered federal action. Attach a continuation sheet for additional information if the space on the form is inadequate. Complete all items that apply for both the initial filing and material change report. Refer to the implementing guidance published by the Office of Management and Budget for additional information.

1. Identify the type of covered federal action for which lobbying activity is and/or has been secured to influence, the outcome of a covered federal action.
2. Identify the status of the covered federal action.
3. Identify the appropriate classification of this report. If this is a follow-up report caused by a material change to the information previously reported, enter the year and quarter in which the change occurred. Enter the date of the last, previously submitted report by this reporting entity for this covered federal action.
4. Enter the full name, address, city, State and zip code of the reporting entity. Include Congressional District if known. Check the appropriate classification of the reporting entity that designates if it is or expects to be a prime or subaward recipient. Identify the tier of the sub awardee, e.g., the first sub awardee of the prime is the first tier. Subawards include but are not limited to subcontracts, subgrants and contract awards under grants.
5. If the organization filing the report in Item 4 checks "Sub awardee" then enter the full name, address, city, State and zip code of the prime federal recipient. Include Congressional District, if known.
6. Enter the name of the federal agency making the award or loan commitment. Include at least one organization level below agency name, if known. For example, Department of Transportation, United States Coast Guard.
7. Enter the federal program name or description for the covered federal action (item 1). If known, enter the full Catalog of Federal Domestic Assistance (CFDA) number for grants, cooperative agreements, loans and loan commitments.
8. Enter the most appropriate federal identifying number available for the federal action identification in item 1 (e.g., Request for Proposal (RFP) number, Invitation for Bid (IFB) number, grant announcement number, the contract grant. or loan award number, the application/proposal control number assigned by the federal agency). Include prefixes, e.g., "RFP-DE-90-001."
9. For a covered federal action where there has been an award or loan commitment by the Federal agency, enter the federal amount of the award/loan commitments for the prime entity identified in item 4 or 5.
10. (a) Enter the full name, address, city, State and zip code of the lobbying entity engaged by the reporting entity identified in item 4 to influenced the

covered federal action.

(b) Enter the full names of the individual(s) performing services and include full address if different from 10 (a). Enter Last Name, First Name and Middle Initial (MI).

11. Enter the amount of compensation paid or reasonably expected to be paid by the reporting entity (item 4) to the lobbying entity (item 10). Indicate whether the payment has been made (actual) or will be made (planned). Check all boxes that apply. If this is a material change report, enter the cumulative amount of payment made or planned to be made.
12. Check the appropriate box(es). Check all boxes that apply. If payment is made through an in-kind contribution, specify the nature and value of the in-kind payment.
13. Check the appropriate box(es). Check all boxes that apply. If other, specify nature.
14. Provide a specific and detailed description of the services that the lobbyist has performed or will be expected to perform and the date(s) of any services rendered. Include all preparatory and related activity not just time spent in actual contact with federal officials. Identify the federal officer(s) or employee(s) contacted or the officer(s) employee(s) or Member(s) of Congress that were contacted.
15. Check whether or not a continuation sheet(s) is attached.
16. The certifying official shall sign and date the form, print his/her name title and telephone number.

Public reporting burden for this collection of information is estimated to average 30 minutes per response, including time for reviewing instruction, searching existing data sources, gathering and maintaining the data needed, and completing and reviewing the collection of information. Send comments regarding the burden estimate or any other aspect of this collection of information, including suggestions for reducing this burden, to the Office of Management and Budget, Paperwork Reduction Project (0348-0046), Washington, D.C. 20503.

CITY OF IMPERIAL

7TH, 10TH & 14TH STREETS REHABILITATION PROJECT

BID NO. 2024-01

THIS FORM MUST BE FULLY COMPLETED AND INCLUDED WITH THE BID DOCUMENTS OR THE BID SHALL BE NON-RESPONSIVE.

DESIGNATION/CERTIFICATION OF ASPHALT-RUBBER BINDER APPLICATOR(S)
BIDDER proposes to have Asphalt-Rubber **BINDER** for **ARAM** (application) applied by:

Name/Address

This section shall be completed even if the bidder plans to apply Asphalt-Rubber binder with its own equipment and labor forces. Name above must be actual company applying Asphalt-Rubber binder on the roadway.

Bidder shall attach to this form copies of all required air pollution control district or air quality management district current final permit to operate (PTO) documents (not temporary, experimental, research, expired, and/or authority to construct (ATC)) which allow the operation of the specific equipment to be used to control emissions during the application of Asphalt-Rubber binder on the roadway (the Application). The Application, in a manner conforming with these projects specifications, has been indisputably determined to be in non-compliance with California air quality regulations limiting opacity of emissions, unless a permitted emission control device is used during the Application to directly remove emission occurring during the Application. It is for that device, which may be described as an air filter, custom air pollution control system, portable air pollution control, opacity control unit, emission control unit, consisting of collection hood and 3-stage oil mist filter system, or other similar description for which a copy of a current final PTO must be provided from the local air pollution control district or air quality management district.

If the bidder fails to fully complete this portion of the bid and provide the foregoing documentation, the bid is non-responsive and shall be rejected.

CERTIFICATION UNDER PENALTY OF PERJURY

I certify under penalty of perjury under the law of the State of California that I have read and understand the requirements contained in this form. I further certify that all information provided in response to this form is true and accurate to the best of my knowledge and belief.

Print Name, Title

Signature of Bidder

Date

**DESIGNATION/CERTIFICATION OF ASPHALT-RUBBER AND
AGGREGATE MEMBRANE CONTRACTOR AND/OR
SUBCONTRACTOR(S).**

**THIS FORM MUST BE INCLUDED AND FULLY COMPLETED WITH THE BID OR
THE BID SHALL BE CONSIDERED NON-RESPONSIVE**

Bidder proposes to have the ARAM installed by:

(Insert name of contractor/sub-contractor above)

This section shall be completed even if the apparent low bidder plans to produce and install ARAM with its own forces. Name of contractor and/or subcontractor(s) shall be the actual company(ies) applying the binder and aggregate.

For any bid to be considered responsive, performance criteria must be demonstrated on five separate projects performed by the same contractor or subcontractor(s) designated above, and with equivalent aggregate and binder proposed for the ARAM in this bid. Five years shall have elapsed since completion of the ARAM surface installation on each project, and the projects shall be located in Southern California in areas or regions which have documented National Weather Service maximum air temperatures of above 105°F during June, July, August, and September for a minimum of 40 days on a three year average annual basis. To be considered a valid representative project, bidder must submit the name of the project, owner agency, agency representative's name and phone number, and a list of streets with limits totaling at least 1 mile (based on full width) in length for each project and the date the project was actually performed. A project will be considered a valid representative project if asphalt emulsion spray application was originally placed with or without an application of sand, within 15 calendar days of the application of ARAM. Any other cover coat or course on the ARAM will cause the ARAM to be considered invalid as a representative project. ARAM on all projects must show insignificant raveling (loss of rock) and insignificant flushing (binder migration to the surface) at the time of inspection between the bid date and the date of award of the current project by the Agency soliciting bids for this current project. Bidder shall verify any proposed representative projects prior to listing a subcontractor(s) with such projects, or the bid shall be considered non-responsive. If the Bidder cannot list in the space provided five projects that meet the criteria specified herein that were performed by the proposed ARAM contractor or subcontractor(s), the bid shall be considered non-responsive.

REPRESENTATIVE ARAM PROJECTS

**THIS FORM MUST BE INCLUDED AND
FULLY COMPLETED WITH THE BID
OR
THE BID SHALL BE CONSIDERED NON-RESPONSIVE**

Name of Project No.1: _____ Date Completed: _____

Agency _____ Agency Contact: _____

Phone: _____ Approx. Length of ARAM (Full Width): _____

Name of Project No.2: _____ Date Completed: _____

Agency _____ Agency Contact: _____

Phone: _____ Approx. Length of ARAM (Full Width): _____

Name of Project No.4: _____ Date Completed: _____

Agency _____ Agency Contact: _____

Phone: _____ Approx. Length of ARAM (Full Width): _____

Name of Project No.4: _____ Date Completed: _____

Agency _____ Agency Contact: _____

Phone: _____ Approx. Length of ARAM (Full Width): _____

Name of Project No.5: _____ Date Completed: _____

Agency _____ Agency Contact: _____

Phone: _____ Approx. Length of ARAM (Full Width): _____

Signature of Bidder

Title

Date

CITY OF IMPERIAL
PROPOSAL BID SHEET Page 1 of 4
 FOR
7TH, 10TH & 14TH STREETS REHABILITATION PROJECT
BID NO. 2024-01

ITEM	QUANTITY	UNIT	ITEM	UNIT COST	AMOUNT
1	1	LS	Mobilization/Bonds/Insurance	\$	\$
2	1	LS	Preparation/Implementation Traffic Control Plans & Construction Area Signs.	\$	\$
3	1	LS	Storm Water Pollution Prevention Plan (SWPPP) Permit and Implementation.	\$	\$
4	4,095	SF	Install Dig Outs in designated areas. Includes Removal and Dispose of Existing Asphalt and Class II Base, as well as Placement of a 3-Inch Thick Layer of ½" Hot Mix Asphalt Type A over 9 Inches of Class 2 Base.	\$	\$
5	28,754	SF	Pulverize Existing Asphalt in Place, Blend the Product with Existing Class II Base and Recompact It to 95% of ASTM D1557 Maximum Dry Density. Install 3-Inch Layer of Asphalt-Rubber Hot Mix Gap-Graded (ARHM- GG).	\$	\$
6	231,539	SF	Grind and overlay using System 3 per Detail on Sheet 23. The grindings derived from the construction shall be disposed and "stockpiled" at the following location: "City Shop & Wastewater Treatment Plant", 701 E. 14th Street, Imperial, CA 92251.	\$	\$
7	11,490	SF	Demolition, removal and disposal of existing 4.50 ft wide concrete sidewalk.	\$	\$
8	14,359	SF	Installation of new P.C.C. 4.50 ft wide sidewalk. Includes subgrade preparation and sand, per City Standard No. 407 or 407-A. See Sheet 24.	\$	\$

PROPOSAL BID SHEET Page 2 of 4
BID NO. 2024-01

9	4,246	SF	Demolition, removal and disposal of P.C.C. driveway.	\$	\$
10	4,246	SF	Installation of P.C.C. Driveway per City Standard No. 403, 404 or 406. See Sheet 24.	\$	\$
11	7,527	SF	Demolition, removal and disposal of existing P.C.C. Cross-Gutter, includes removal of Class II Base.	\$	\$
12	12,545	SF	Installation of 8 ft wide P.C.C. Cross-Gutter, includes subgrade preparation and new Class II Base, per City Standard No. 411. See Sheet 25.	\$	\$
13	2,846	LF	Demolition, removal and disposal of existing curb and gutter.	\$	\$
14	1,219	LF	Demolition, removal and disposal of existing freestanding curb.	\$	\$
15	5,078	LF	Installation of new P.C.C. Curb and Gutter as per City Standard No. 400. See Sheet 24.	\$	\$
16	2,282	SF	Demolition, removal and disposal of existing handicap ramps.	\$	\$
17	2,852	SF	Installation of ADA accessible ramps, including subgrade preparation, as City Standard No. 409 or 409-A. See sheet 25.	\$	\$
18	6	EA	Installation of 36"X48" ADA truncated dome (Detectable Warning) yellow pad.	\$	\$
19	4	EA	Remove and replace fire hydrants per City Standard No. 700. See Sheet 26.	\$	\$
20	5	EA	Removal, disposal and installation of 7 ft deep Sanitary Sewer Manhole per City Standard No. 200. See Sheet 26.	\$	\$
21	4	EA	Removal, disposal and installation of 5 ft deep Sanitary Sewer Manhole per City Standard No. 200. See Sheet 26.	\$	\$

PROPOSAL BID SHEET Page 3 of 4
BID NO. 2024-01

22	6	EA	Removal, disposal and installation of 6 ft deep Sanitary Sewer Manhole per City Standard No. 200. See Sheet 26.	\$	\$
23	8	EA	Double adjusting of water valve and/or monitoring well covers. Includes installation of new concrete ring per City Standard No. 508. See Sheet 25.	\$	\$
24	4,035	LF	12" Dia. ADS HP Storm Drain Pipeline per Storm Drain Pipe Trench Detail on Sheet 27.	\$	\$
25	18	EA	40" Deep Storm Drain Junction Box per detail on Sheet 27.	\$	\$
26	34	EA	Storm Drain Catch Basin per detail on Sheet 27.	\$	\$
27	1	LS	Replace existing road striping using thermoplastic material per Sheets 16 to 22.	\$	\$
28	1	LS	Construction Staking	\$	\$
29	1	LS	Geotechnical Quality Control Services	\$	\$
				Total Bid Proposal:	\$

CITY OF IMPERIAL
PROPOSAL BID SHEET Page 4 of 4
FOR
7TH, 10TH & 14TH STREETS REHABILITATION PROJECT
BID NO. 2024-01

NOTE 1: THE ESTIMATED QUANTITIES INDICATED ABOVE ARE APPROXIMATE. THE ENGINEER WILL NOT ASSUME RESPONSIBILITY FOR THE QUANTITIES ILLUSTRATED IN THE PROJECT PLANS. IT IS THE RESPONSIBILITY OF THE CONTRACTOR TO ESTABLISH THE QUANTITIES.

NOTE 2: THE LOWEST RESPONSIVE BID WILL BE BASED ON THE LOWEST TOTAL BID PROPOSAL.

TOTAL AMOUNT OF BID PROPOSAL (NUMBERS) _____

TOTAL AMOUNT OF BID PROPOSAL (WORDS) _____

Note: The estimated quantities listed in the Proposal Bid Sheet(s) are supplied to give an indication of the general scope of the work, but the accuracy of these figures is not guaranteed, and the bidder shall make his own estimates from the drawings. In case of a variation between the unit price and the totals shown by the bidder, the unit price will be considered to be the bid.

Bidder's Name and Telephone Number

This Page Intentionally Left Blank

**VERIFICATION OF COMPLIANCE WITH ECONOMIC SANCTIONS
IN RESPONSE TO RUSSIA'S ACTIONS IN UKRAINE**

Per California Executive Order N-6-22, the City of Imperial is required to assure that all contractors doing business with the City of Imperial are in compliance with economic sanctions imposed by the U.S. government in response to Russia's actions in Ukraine, as well as sanctions imposed under state law, if any. Please execute this document to verify your current compliance with Executive Order N-6-22 and to ensure that this project will be in compliance with Executive Order N-6-22.

NOTICE: Having conducted a good faith review, I attest that the person/entity submitting this bid is in compliance with the economic sanctions imposed by the U.S. government in response to Russia's actions in Ukraine, as well as sanctions imposed under state law, if any. Further, I attest that I am aware of Executive Order N-6-22 and agree monitor the project to ensure the project remains in compliance with Executive Order N-6-22.

BIDDER

Note that responses may be subject to disclosure under the California Public Records Act. Accordingly, it is within the discretion of the respondent to determine what information to provide. Additionally, please do not include any confidential information or disclosures that could pose security risks.

BID PROPOSAL

IN WITNESS WHEREOF, BIDDER executes and submits this bid proposal with the names, titles, hands, and seals of all forenamed principals this _____ day of _____, 2024.

Bidder: _____

By: _____

Title: _____

Subscribed and sworn to this _____ day of _____, 2024.

NOTARY PUBLIC _____

AGENCY acknowledges this proposal was received and opened at the time and in the place specified, and that it was accompanied by the required guarantee in the amount of ten percent (10%) of the total bid.

By: _____

Title: _____

**CITY OF IMPERIAL
CONSTRUCTION SERVICES AGREEMENT**

This CONSTRUCTION SERVICES AGREEMENT ("Agreement"), is made and effective _____, by and between City of Imperial, a municipal corporation ("AGENCY"), and [insert contractor name], a [sole proprietorship, partnership, limited liability partnership, corporation] ("CONTRACTOR"). In consideration of the mutual covenants and conditions set forth herein, the parties agree as follows:

I. SCOPE OF WORK

The CONTRACTOR shall perform within the time set forth in this Agreement and shall furnishing all materials, equipment, tools, labor and incidentals as required by the Plans, Specifications and Contract Documents. The work to be performed includes, but not limited to the following activities for this contract:

Removal of existing asphalt in poor conditions, grind and overlay in parts of streets as needed, installation of ¾" asphalt leveling course, installation of asphalt-rubber aggregate membrane (ARAM), installation of gap-graded asphalt rubber hot mix (ARHM), slurry seal, removal and replacement of fire hydrants, removal and replacement of sanitary sewer manholes, installation of Storm Drain System (12" Dia. ADS HP Storm Drain Pipe, PCC Junction Boxes & PCC Catch Basins), utility adjustments, removal and replacement of concrete curb & gutter, sidewalks and ADA ramps, installation of thermoplastic striping. Includes road traffic control around the construction zones. All work to be completed within existing City of Imperial public right of way. The grindings derived from the construction activity listed under Item "6" of the Proposal Bid Sheet, shall be disposed and "stockpiled" at the following location: City Shop & Wastewater Treatment Plant located at 701 E. 14th Street, Imperial, CA 92251.

The scope of work includes, prior to the start of construction, the coordination between the City of Imperial and the Contractor.

By entering into this Agreement, CONTRACTOR acknowledges that there may be other contractors on the site whose work will be coordinated with that of its own. CONTRACTOR expressly warrants and agrees that it will cooperate with other contractors and will do nothing to delay, hinder, or interfere with the work of other separate contractors, the AGENCY, the Construction Manager, the Architect, or utilities. CONTRACTOR also expressly agrees that, in the event its work is hindered, delayed, interfered with, or otherwise affected by a separate contractor, its sole remedy will be a direct action against the separate contractor. To the extent allowed by law, the CONTRACTOR will have no remedy, and hereby expressly waives any remedy against the AGENCY, the Construction Manager, or the Architect on account of delay, hindrance, interference or other events caused by a separate contractor.

II. TIME FOR PROJECT COMPLETION

All of CONTRACTOR's work on the Project shall be completed within durations established for the individual activities as set forth in the Project Construction Schedule. All work shall commence no later than ten (10) calendar days after receiving a written Notice to Proceed from the AGENCY or Construction Manager, if a Construction Manager is employed by AGENCY on the Project. CONTRACTOR shall refer to the invitations for bids, and Project Plans and Specifications, all of which, as set forth below,

are incorporated herein by reference, for contractual obligations regarding individual activity durations. The aggregate sum total work of all individual Prime Contractors to the AGENCY comprises the entire "Project" and shall be commenced and completed in conformance with the Project Construction Schedule.

The entire Project shall be completed within **Ninety (90) consecutive calendar days.**

III. THE CONTRACT SUM

The AGENCY shall pay to the CONTRACTOR for the performance of this Agreement, subject to any additions and deductions provided in the Project documents, the sum of _____ (\$____.00).

IV. PROGRESS PAYMENTS

Based upon Applications for Payment submitted to the Architect by the CONTRACTOR and Certificates for Payment issued by the Architect, the AGENCY shall make progress payments on account of the Contract Sum to the CONTRACTOR as provided in the General Conditions.

This Agreement is subject to the provisions of Article 1.7 (commencing at Section 20104.50) of Division 2, Part 3 of the Public Contract Code regarding prompt payment of contractors by local governments. Article 1.7 mandates certain procedures for the payment of undisputed and properly submitted payment requests within 30 days after receipt, for the review of payment requests, for notice to Contractor of improper payment requests, and provides for the payment of interest on progress payment requests which are not timely made in accordance with that Article. This AGREEMENT hereby incorporates the provisions of Article 1.7 as though fully set forth herein.]

V. RETENTION OF SECURITIES

Public Contract Code Section 22300 permits the substitution of securities for any monies withheld by a public agency to ensure performance under a contract, at the request and expense of the CONTRACTOR.

VI. INDEMNITY, DEFENSE AND HOLD HARMLESS AGREEMENT

CONTRACTOR shall indemnify, defend with legal counsel approved by AGENCY, and hold harmless AGENCY, its officers, officials, employees and volunteers from and against all liability, loss, damage, expense, cost (including without limitation reasonable legal counsel fees, expert fees and all other costs and fees of litigation) of every nature arising out of or in connection with CONTRACTOR's negligence, recklessness or willful misconduct in the performance of work hereunder or its failure to comply with any of its obligations contained in this Agreement, except such loss or damage which is caused by the sole or active negligence or willful misconduct of the AGENCY. Should conflict of interest principles preclude a single legal counsel from representing both AGENCY and CONTRACTOR, or should AGENCY otherwise find CONTRACTOR's legal counsel unacceptable, then CONTRACTOR shall reimburse the AGENCY its costs of defense, including without limitation reasonable legal counsel fees, expert fees and all other costs and fees of litigation. The CONTRACTOR shall promptly pay any final judgment

rendered against the AGENCY (and its officers, officials, employees and volunteers) with respect to claims determined by a trier of fact to have been the result of the CONTRACTOR's negligent, reckless or wrongful performance. It is expressly understood and agreed that the foregoing provisions are intended to be as broad and inclusive as is permitted by the law of the State of California and will survive termination of this Agreement.

CONTRACTOR obligations under this section apply regardless of whether such claim, charge, damage, demand, action, proceeding, loss, stop notice, cost, expense, judgment, civil fine or penalty, or liability was caused in part or contributed to by an Indemnitee. However, without affecting the rights of AGENCY under any provision of this agreement, CONTRACTOR shall not be required to indemnify and hold harmless AGENCY for liability attributable to the active negligence of AGENCY, provided such active negligence is determined by agreement between the parties or by the findings of a court of competent jurisdiction. In instances where AGENCY is shown to have been actively negligent and where AGENCY'S active negligence accounts for only a percentage of the liability involved, the obligation of CONTRACTOR will be for that entire portion or percentage of liability not attributable to the active negligence of AGENCY.

VII. PREVAILING WAGES

- A. In accordance with the provisions of Labor Code §§1770 to 1781, the City Council of The City of Imperial has adopted the latest publication of the General Prevailing Wage Rates entitled, "State of California, Department of Transportation, Equipment Rental Rates and General Prevailing Wage Rates."
- B. The following Labor Code sections are hereby referenced and made a part of this Agreement:
 - 1. Section 1775 - Penalty for Failure to Comply with Prevailing Wage Rates.
 - 2. Section 1777.4 - Apprenticeship Requirements.
 - 3. Section 1777.5 - Apprenticeship Requirements.
 - 4. Section 1813 - Penalty for Failure to Pay Overtime.
 - 5. Sections 1810 and 1811 - Working Hour Restrictions.
 - 6. Section 1775 - Payroll Records.
 - 7. Section 1773.8 - Travel and Subsistence Pay.

VIII. RECORD AUDIT

In accordance with Government Code, Section 8546.7, records of both the AGENCY and the CONTRACTOR shall be subject to examination and audit by the Auditor General for a period of three (3) years after final payment.

IX. FINAL PAYMENT

Final payment, constituting the entire unpaid balance of the Agreement Sum, shall be paid by the AGENCY to the CONTRACTOR no sooner than thirty-five (35) days after a Notice of Completion has been recorded, unless otherwise stipulated in the Notice of Completion, provided the work has then been completed, the Agreement fully performed, and a final Certificate for Payment has been issued by the Architect.

X. CONTRACTOR'S FAILURE TO PROCURE COMPLETION OF PROJECT

In the event CONTRACTOR fails to furnish tools, equipment, or labor in the necessary quantity or quality, or fails to prosecute the work or any part thereof contemplated by this Agreement in a diligent and workmanlike manner, and if the CONTRACTOR for a period of three (3) calendar days after receipt of written demand from AGENCY or its designated representative to do so, fails to furnish tools, equipment, or labor in the necessary quantity or quality, and to prosecute its work and all parts thereof in a diligent and workmanlike manner, or after commencing to do so within said three (3) calendar days, fails to continue to do so; then the AGENCY may exclude the CONTRACTOR from the premises, or any portion thereof, and take possession of said premises or any portion thereof, together with all material and equipment thereon, and may complete the work contemplated by this Agreement or any portion of said work, either by furnishing the tools, equipment, labor or material necessary, or by letting the unfinished portion of said work, or the portion taken over by the AGENCY to another contractor or by a combination of such methods. In any event, the procuring of the completion of said work, or the portion thereof taken over by the AGENCY, shall be a charge against the CONTRACTOR, and may be deducted from any money due or becoming due to CONTRACTOR from the AGENCY, or the CONTRACTOR shall pay the AGENCY the amount of said charge, or the portion thereof unsatisfied. The sureties provided for under this Agreement shall become liable for payment should CONTRACTOR fail to pay in full any said cost incurred by the AGENCY.

XI. INSURANCE

Prior to the beginning of and throughout the duration of the Work, CONTRACTOR and its subcontractors shall maintain insurance in conformance with the requirements set forth below. CONTRACTOR will use existing coverage to comply with these requirements. If that existing coverage does not meet the requirements set forth herein, CONTRACTOR agrees to amend, supplement or endorse the existing coverage to do so.

CONTRACTOR acknowledges that the insurance coverage and policy limits set forth in this section constitute the minimum amount of coverage required. Any insurance proceeds available to CONTRACTOR or its subcontractors in excess of the limits and coverage identified in this Agreement and which is applicable to a given loss, claim or demand, will be equally available to AGENCY.

A. CONTRACTOR shall provide the following types and amounts of insurance:

Without limiting CONTRACTOR's indemnification of AGENCY, and prior to commencement of Work, CONTRACTOR shall obtain, provide and maintain at its own expense during the term of this Agreement, policies of insurance of the type and amounts described below and, in a form, satisfactory to AGENCY.

General liability insurance. CONTRACTOR shall maintain commercial general liability insurance with coverage at least as broad as Insurance Services Office form CG 00 01,

in an amount not less than \$1,000,000 per occurrence, \$2,000,000 general aggregate, for bodily injury, personal injury, and property damage, and \$2,000,000 completed operations aggregate. The policy must include contractual liability that has not been amended. Any endorsement restricting standard ISO “insured contract” language will not be accepted.

Automobile liability insurance. CONTRACTOR shall maintain automobile insurance at least as broad as Insurance Services Office form CA 00 01 covering bodily injury and property damage for all activities of the CONTRACTOR arising out of or in connection with Work to be performed under this Agreement, including coverage for any owned, hired, non-owned or rented vehicles, in an amount not less than \$1,000,000 combined single limit for each accident.

Umbrella or excess liability insurance. [Optional depending on limits required] CONTRACTOR shall obtain and maintain an umbrella or excess liability insurance that will provide bodily injury, personal injury and property damage liability coverage at least as broad as the primary coverages set forth above, including commercial general liability, automobile liability, and employer’s liability. Such policy or policies shall include the following terms and conditions:

- A drop-down feature requiring the policy to respond in the event that any primary insurance that would otherwise have applied proves to be uncollectable in whole or in part for any reason;
- Pay on behalf of wording as opposed to reimbursement;
- Concurrency of effective dates with primary policies;
- Policies shall “follow form” to the underlying primary policies; and
- Insureds under primary policies shall also be insureds under the umbrella or excess policies.

Workers’ compensation insurance. CONTRACTOR shall maintain Workers’ Compensation Insurance (Statutory Limits) and Employer’s Liability Insurance (with limits of at least \$1,000,000) for CONTRACTOR’s employees in accordance with the laws of the State of California, Section 3700 of the Labor Code. In addition, CONTRACTOR shall require each subcontractor to similarly maintain Workers’ Compensation Insurance and Employer’s Liability Insurance in accordance with the laws of the State of California, Section 3700 for all of the subcontractor’s employees.

CONTRACTOR shall submit to AGENCY, along with the certificate of insurance, a Waiver of Subrogation endorsement in favor of AGENCY, its officers, agents, employees and volunteers.

Pollution liability insurance. Environmental Impairment Liability Insurance shall be written on a CONTRACTOR’s Pollution Liability form or other form acceptable to AGENCY providing coverage for liability arising out of sudden, accidental and gradual pollution and remediation. The policy limit shall be no less than \$1,000,000 dollars per claim and in the aggregate. All activities contemplated in this Agreement shall be specifically scheduled on the policy as “covered operations.” The policy shall provide coverage for the hauling of waste from the project site to the final disposal location, including non-owned disposal sites.

Builder's risk insurance. Upon commencement of construction and with approval of AGENCY, CONTRACTOR shall obtain and maintain builder's risk insurance for the entire duration of the Project until only the AGENCY has an insurable interest. The Builder's Risk coverage shall include the coverages as specified below.

The named insureds shall be CONTRACTOR and AGENCY, including its officers, officials, employees, and agents. All Subcontractors (excluding those solely responsible for design Work) of any tier and suppliers shall be included as additional insureds as their interests may appear. CONTRACTOR shall not be required to maintain property insurance for any portion of the Project following transfer of control thereof to AGENCY. The policy shall contain a provision that all proceeds from the builder's risk policy shall be made payable to the AGENCY. The AGENCY will act as a fiduciary for all other interests in the Project.

Policy shall be provided for replacement value on an "all risk" basis for the completed value of the project. There shall be no coinsurance penalty or provisional limit provision in any such policy. Policy must include: (1) coverage for any ensuing loss from faulty workmanship, Nonconforming Work, omission or deficiency in design or specifications; (2) coverage against machinery accidents and operational testing; (3) coverage for removal of debris, and insuring the buildings, structures, machinery, equipment, materials, facilities, fixtures and all other properties constituting a part of the Project; (4) Ordinance or law coverage for contingent rebuilding, demolition, and increased costs of construction; (5) transit coverage (unless insured by the supplier or receiving contractor), with sub-limits sufficient to insure the full replacement value of any key equipment item; (6) Ocean marine cargo coverage insuring any Project materials or supplies, if applicable; (7) coverage with sub-limits sufficient to insure the full replacement value of any property or equipment stored either on or off the Site or any staging area. Such insurance shall be on a form acceptable to Agency to ensure adequacy of terms and sublimits and shall be submitted to the Agency prior to commencement of construction.

Other provisions or requirements

Proof of insurance. CONTRACTOR shall provide certificates of insurance to AGENCY as evidence of the insurance coverage required herein, along with a waiver of subrogation endorsement for workers' compensation. Insurance certificates and endorsements must be approved by AGENCY's risk manager prior to commencement of performance. Current certification of insurance shall be kept on file with AGENCY at all times during the term of this contract. AGENCY reserves the right to require complete, certified copies of all required insurance policies, at any time.

Duration of coverage. CONTRACTOR shall procure and maintain for the duration of the contract insurance against claims for injuries to persons or damages to property, which may arise from or in connection with the performance of the Work hereunder by CONTRACTOR, his agents, representatives, employees or subcontractors. CONTRACTOR must maintain general liability and umbrella or excess liability insurance for as long as there is a statutory exposure to completed operations claims. AGENCY and its officers, officials, employees, and agents shall continue as additional insureds under such policies.

Primary/noncontributing. Coverage provided by CONTRACTOR shall be primary and any insurance or self-insurance procured or maintained by AGENCY shall not be required to contribute with it. The limits of insurance required herein may be satisfied by a combination of primary and umbrella or excess insurance. Any umbrella or excess insurance shall contain or be endorsed to contain a provision that such coverage shall also apply on a primary and non-contributory basis for the benefit of AGENCY before the AGENCY's own insurance or self-insurance shall be called upon to protect it as a named insured.

Products/completed operations coverage. Products/completed operations coverage shall extend a minimum of three (3) years after project completion. Coverage shall be included on behalf of the insured for covered claims arising out of the actions of independent contractors. If the insured is using subcontractors, the Policy must include work performed "by or on behalf" of the insured. Policy shall contain no language that would invalidate or remove the insurer's duty to defend or indemnify for claims or suits expressly excluded from coverage. Policy shall specifically provide for a duty to defend on the part of the insurer. The AGENCY, its officials, officers, agents, and employees, shall be included as additional insureds under the Products and Completed Operations coverage.

Agency's rights of enforcement. In the event any policy of insurance required under this Agreement does not comply with these requirements or is canceled and not replaced, AGENCY has the right but not the duty to obtain the insurance it deems necessary and any premium paid by AGENCY will be promptly reimbursed by CONTRACTOR or AGENCY will withhold amounts sufficient to pay premium from CONTRACTOR payments. In the alternative, AGENCY may cancel this Agreement.

Acceptable insurers. All insurance policies shall be issued by an insurance company currently authorized by the Insurance Commissioner to transact business of insurance or is on the List of Approved Surplus Line Insurers in the State of California, with an assigned policyholders' Rating of A- (or higher) and Financial Size Category Class VII (or larger) in accordance with the latest edition of Best's Key Rating Guide, unless otherwise approved by the AGENCY's risk manager.

Waiver of subrogation. All insurance coverage maintained or procured pursuant to this agreement shall be endorsed to waive subrogation against AGENCY, its elected or appointed officers, agents, officials, employees and volunteers or shall specifically allow CONTRACTOR or others providing insurance evidence in compliance with these specifications to waive their right of recovery prior to a loss. CONTRACTOR hereby waives its own right of recovery against AGENCY and shall require similar written express waivers and insurance clauses from each of its subconsultants.

Enforcement of contract provisions (non estoppel). CONTRACTOR acknowledges and agrees that any actual or alleged failure on the part of the AGENCY to inform CONTRACTOR of non-compliance with any requirement imposes no additional obligations on the AGENCY nor does it waive any rights hereunder.

Requirements not limiting. Requirements of specific coverage features, or limits contained in this Section are not intended as a limitation on coverage, limits or other requirements, or a waiver of any coverage normally provided by any insurance. Specific reference to a given coverage feature is for purposes of clarification only as it pertains to

a given issue and is not intended by any party or insured to be all inclusive, or to the exclusion of other coverage, or a waiver of any type. If the CONTRACTOR maintains higher limits than the minimums shown above, the AGENCY requires and shall be entitled to coverage for the higher limits maintained by the CONTRACTOR. Any available insurance proceeds in excess of the specified minimum limits of insurance and coverage shall be available to the AGENCY.

Notice of cancellation. CONTRACTOR agrees to oblige its insurance agent or broker and insurers to provide to AGENCY with a thirty (30) day notice of cancellation (except for nonpayment for which a ten (10) day notice is required) or nonrenewal of coverage for each required coverage.

Additional insured status. General liability policies shall provide or be endorsed to provide that AGENCY and its officers, officials, employees, agents, and volunteers shall be additional insureds under such policies. This provision shall also apply to any excess/umbrella liability policies.

Prohibition of undisclosed coverage limitations. None of the coverages required herein will be in compliance with these requirements if they include any limiting endorsement of any kind that has not been first submitted to AGENCY and approved of in writing.

Separation of insureds. A severability of interests provision must apply for all additional insureds ensuring that CONTRACTOR's insurance shall apply separately to each insured against whom claim is made or suit is brought, except with respect to the insurer's limits of liability. The policy(ies) shall not contain any cross-liability exclusions.

Pass through clause. CONTRACTOR agrees to ensure that its subconsultants, subcontractors, and any other party involved with the project who is brought onto or involved in the project by CONTRACTOR, provide the same minimum insurance coverage and endorsements required of CONTRACTOR. CONTRACTOR agrees to monitor and review all such coverage and assumes all responsibility for ensuring that such coverage is provided in conformity with the requirements of this section. CONTRACTOR agrees that upon request, all agreements with consultants, subcontractors, and others engaged in the project will be submitted to AGENCY for review.

Agency's right to revise requirements. The AGENCY reserves the right at any time during the term of the contract to change the amounts and types of insurance required by giving the CONTRACTOR a ninety (90) day advance written notice of such change. If such change results in substantial additional cost to the CONTRACTOR, the AGENCY and CONTRACTOR may renegotiate CONTRACTOR's compensation.

Self-insured retentions. Any self-insured retentions must be declared to and approved by AGENCY. AGENCY reserves the right to require that self-insured retentions be eliminated, lowered, or replaced by a deductible. Self-insurance will not be considered to comply with these specifications unless approved by AGENCY.

Timely notice of claims. CONTRACTOR shall give AGENCY prompt and timely notice of claims made or suits instituted that arise out of or result from CONTRACTOR's performance under this Agreement, and that involve or may involve coverage under any of the required liability policies.

Additional insurance. CONTRACTOR shall also procure and maintain, at its own cost and expense, any additional kinds of insurance, which in its own judgment may be necessary for its proper protection and prosecution of the Work.

XII. CONTRACTOR'S LICENSE

CONTRACTOR must possess at the time of commencing work and throughout the Project duration, a Contractor's License, issued by the State of California, which is current and in good standing. CONTRACTOR shall ensure that any subcontractor working on the Project possesses at the time of commencing work and throughout the Project duration, a Contractor's License, issued by the State of California, which is current and in good standing.

XIII. REGISTRATION REQUIREMENTS

Pursuant to Section 1771.1(a) of the Labor Code:

"A contractor or subcontractor shall not be qualified to bid on, be listed in a bid proposal, subject to the requirements of Section 4104 of the Public Contract Code, or engage in the performance of any contract for public work, as defined in this chapter, unless currently registered and qualified to perform public work pursuant to Section 1725.5. It is not a violation of this section for an unregistered contractor to submit a bid that is authorized by Section 7029.1 of the Business and Professions Code or by Section 10164 or 20103.5 of the Public Contract Code, provided the contractor is registered to perform public work pursuant to Section 1725.5 at the time the contract is awarded."

CONTRACTOR must be registered with the Department of Industrial Relations (DIR) of the State of California in order to be eligible to work on public works projects. CONTRACTOR must ensure registration with the DIR that is active and in good standing.

No contractor or subcontractor may be listed on a bid proposal for a public works project (submitted on or after March 1, 2015) unless registered with the Department of Industrial Relations pursuant to Labor Code section 1725.5 [with limited exceptions from this requirement for bid purposes only under Labor Code section 1771.1(a)].

No contractor or subcontractor may be awarded a contract for public work on a public works project (awarded on or after April 1, 2015) unless registered with the Department of Industrial Relations pursuant to Labor Code section 1725.5.

This project is subject to compliance monitoring and enforcement by the Department of Industrial Relations.

The CONTRACTOR is not subject to public works requirements (including registration with the DIR) if the public works project is under \$1,000, unless the AGENCY knows that

the same CONTRACTOR will be awarded total project costs in excess of \$1,000 for a given year.

XIV. CORPORATION IN GOOD STANDING

If CONTRACTOR is a corporation, the undersigned hereby represents and warrants that the corporation is duly incorporated and in good standing in the State of _____, and that _____ whose title is _____, is authorized to act for and bind the corporation.

XV. PROVISIONS REQUIRED BY LAW

Each and every provision of law and clause required by law to be inserted in this Agreement shall be deemed to be inserted herein and the Agreement shall be read and enforced as though it were included herein, and if through mistake or otherwise any such provision is not inserted, or is not currently inserted, then upon application of either party the Agreement shall forthwith be physically amended to make such insertion or correction.

XVI. SUBSURFACE HAZARDOUS MATERIALS

- A. In the event trenches or other excavations extend deeper than four (4) feet below the surface, the CONTRACTOR shall promptly, and before the following conditions are disturbed, notify the AGENCY in writing of any:
 - 1. Material that the CONTRACTOR believes may be material that is hazardous waste, as defined in Section 25117 of the Health and Safety Code, that is required to be removed to a Class I, Class II or Class III disposal site in accordance with the provisions of existing law.
 - 2. Subsurface or latent physical conditions at the site differing from those indicated.
 - 3. Unknown physical conditions at the site of any unusual nature, different materially from those ordinarily encountered and generally recognized as inherent in the Work or the character provided for in the CONTRACT.

- B. Upon receipt of said notification the AGENCY will investigate the conditions, and if it finds that the conditions do materially so differ, or do involve hazardous waste, and cause a decrease or increase in the CONTRACTOR's cost of or the time required for performance of any part of the work, the AGENCY will issue a change order under the procedures described in the General Conditions.

- C. In the event that a dispute arises between the AGENCY and the CONTRACTOR whether the conditions materially differ, or involve hazardous waste or cause a decrease or increase in the CONTRACTOR's cost of or time required for performance of any part of the work, the CONTRACTOR shall not be excused from any scheduled completion date provided for by the Agreement, but shall proceed with all work to be performed under the Agreement. The CONTRACTOR shall retain any and all rights provided either by Agreement or by law which pertain to the resolution of disputes and protests between the contracting parties.

XVII. LIQUIDATED DAMAGES

Pursuant to Government Code Section 53069.85, if work is not completed within the contract time or in strict accordance with the Project Schedule, it is understood, acknowledged and agreed that the AGENCY will suffer damage. It is therefore agreed that the CONTRACTOR shall pay to the AGENCY the sum of: \$1,000.00 for each and every calendar day of delay beyond the Contract Time, or beyond any completion schedule, construction schedule or Project milestones established in or pursuant to the Project Schedule, or beyond the time indicated in the Project Schedule for any individual Contract activity.

CONTRACTOR expressly understands, acknowledges and agrees that such liquidated damages can and shall be imposed if the CONTRACTOR does not meet each and every aspect of any activity schedule, completion schedule, construction schedule or Project milestones established in or pursuant to the Project Schedule. If the AGENCY accepts work or makes any payment under this Agreement after a default by reason of delays, the acceptance of such work and/or payment(s) shall in no respect constitute a waiver or modification of any provisions regarding Contract Time, a completion schedule, the Project Schedule or the accrual of liquidated damages. In the event the same is not paid, the CONTRACTOR further agrees that the AGENCY may deduct the amount thereof from any money due or that may become due the CONTRACTOR under the Agreement. This Article does not exclude recovery of damages under provisions of the Contract Documents and is expressly in addition to the AGENCY's ability to seek other damages.

CONTRACTOR is to refer to Section II of this AGREEMENT for Project Construction Schedule for duration of individual activities. Liquidated damages may be assessed if any individual activity duration exceeds the time indicated for that activity on the Project Construction Schedule.

XVIII. CLAIM PROCEDURES UNDER PUBLIC CONTRACT CODE SECTION 9204

CONTRACTOR shall comply with the procedure set forth in Public Contracts Code section 9204 for any claim, as that term is defined therein, for one or more of the following: 1) a time extension, including, without limitation, for relief from damages or penalties for delay, 2) payment of money or damages arising from work done pursuant to this Agreement, and/or 3) payment of an amount disputed by the AGENCY under this Agreement.

XIX. COMPONENT PARTS OF THE CONTRACT

This Agreement entered into consists of the following CONTRACT DOCUMENTS, all of which are component parts of the Agreement as if herein set out in full or attached hereto:

- 6.1 Invitation for Bids/Advertisement.
- 6.2 Proposal Requirements.
- 6.3 General Conditions
- 6.4 Supplemental General Conditions (State)
- 6.5 Specifications
- 6.6 Special Provisions
- 6.7 Proposal Bid Form
- 6.8 Bid Bond

- 6.9 Proposal Agreement
- 6.10 Agreement
- 6.11 Faithful Performance Bond
- 6.12 Labor and Material Bond
- 6.13 Workers' Compensation Insurance Certification
- 6.14 Subcontractor's Listing
- 6.15 Noncollusion Affidavit
- 6.16 Drug and Alcohol Testing Requirements
- 6.17 Corporate Certification or Partnership Information
- 6.18 Contractor's Certification of Qualification for License Classification

All of the above-named CONTRACT DOCUMENTS are intended to be complementary. Work required by one of the above-named CONTRACT DOCUMENTS and not by others shall be done as if required by all.

The Contract Documents may only be amended by Change Order as provided in section 1-20 of the General Conditions.

No assignment by a party hereto of any rights under or interests in the Contract Documents will be binding on another party hereto without the written consent of the party sought to be bound; and specifically but without limitation monies that may become due and monies that are due may not be assigned without such consent (except to the extent that the effect of this restriction may be limited by law), and unless specifically stated to the contrary in any written consent to an assignment, no assignment will release or discharge the assignor from any duty or responsibility under the Contract Documents.

XX. ENTIRE CONTRACT

AGENCY and CONTRACTOR each bind itself, its partners, successors, assigns and legal representative to the other party hereto, its partners, successors, assigns and legal representative in respect of all covenants, agreements and obligations contained in the Contract Documents.

This Agreement constitutes the entire contract of the parties. No other agreements or contracts, whether oral or written, pertaining to the work to be performed, exists between the parties. This Agreement can be modified only by an amendment in writing, signed by both parties.

CONTRACTOR
[Name of Contractor]

AGENCY
City of Imperial

By: _____

By: _____

Title: _____

Dennis Morita, City Manager

Date: _____

Date: _____

ATTEST:

City Clerk

APPROVED AS TO FORM:

By: _____
Katherine Turner, City Attorney

CONTRACT PERFORMANCE BOND

(CALIFORNIA PUBLIC WORK)

KNOW ALL MEN BY THESE PRESENTS:

THAT WHEREAS, the CITY OF IMPERIAL (sometimes referred to hereinafter as "Obligee") has awarded to _____ (hereinafter designated as the "Contractor"), an agreement for the work described as follows:

7TH, 10TH & 14TH STREETS REHABILITATION PROJECT

BID NO. 2024-01

(hereinafter referred to as the "Public Work"); and

WHEREAS, the work to be performed by the Contractor is more particularly set forth in that certain contract for the said Public Work dated _____ (hereinafter referred to as the "Contract"), which Contract is incorporated herein by this reference; and

WHEREAS, the Contractor is required by said Contract to perform the terms thereof and to provide a bond both for the performance and guaranty thereof.

NOW, THEREFORE, we, _____, the undersigned Contractor, as Principal, and _____

_____,
a corporation organized and existing under the laws of the State of _____, and duly authorized to transact business under the laws of the State of California, as Surety, are held and firmly bound unto the City of Imperial in the sum of _____ Dollars (\$ _____), said sum being not less than one hundred percent (100%) of the total amount payable by the said Obligee under the terms of the said Contract, for which amount will and truly to be made, we bind ourselves, our heirs, executors and administrators, successors and assigns, jointly and severally, firmly by these presents.

THE CONDITION OF THIS OBLIGATION IS SUCH, that, if the bounden Contractor, his or its heirs, executors, administrators, successors or assigns, shall in all things stand to and abide by, and will and truly keep and perform the covenants, conditions and agreements in the said Contract and any alteration thereof made as therein provided, on his or its part, to be kept and performed at the time and in the manner therein specified, and in all respects according to their intent and meaning; and shall faithfully fulfill the one year guarantee of all materials and workmanship; and indemnify and save harmless the Obligee, its officers and agents, as stipulated in said Contract, then this obligation shall become null and void; otherwise it shall be and remain in full force and effect.

The said Surety, for value received, hereby stipulates and agrees that no change, extension of time, alteration or addition to the terms of the Contract or to the work to be performed thereunder or the Specifications accompanying the same shall in any way affect its obligations on this bond, and it does hereby waive notice of any such change, extension of time, alteration or addition to the terms of the Contract or to the work or to the Specifications.

No final settlement between the Obligee and the Contractor shall abridge the right of any beneficiary hereunder, whose claim may be unsatisfied.

Contractor and Surety agree that if the Obligee is required to engage the services of an attorney in connection with enforcement of the bond, each shall pay Obligee's reasonable attorney's fees incurred, with or without suit, in addition to the above sum.

IN WITNESS WHEREOF, we have hereunto set our hands and seals
this _____ day of _____, 2024.

PRINCIPAL/CONTRACTOR:

By: _____

SURETY:

By: _____

Attorney-in-Fact

The rate of premium on this bond is _____ per thousand.

The total amount of premium charged: \$ _____

(The above must be filled in by corporate surety).

IMPORTANT: Surety companies executing bonds must possess a certificate of authority from the California Insurance Commissioner authorizing them to write surety insurance defined in Section 105 of the California Insurance Code, and if the work or project is financed, in whole or in part, with federal, grant or loan funds, it must also appear on the Treasury Department's most current list (Circular 570 as amended). **THIS IS A REQUIRED FORM.**

Any claims under this bond may be addressed to:

(Name and Address of Surety)

(Name and Address of agent or representative for service of process in California if different from above)

(Telephone Number of Surety and agent or representative for service of process in California).

STATE OF CALIFORNIA)
) ss.
COUNTY OF _____)

On this ___ day of _____, in the year 2024, before me, _____, a Notary Public in and for said State, personally appeared _____, known to me to be the person whose name is subscribed to the within instrument as the Attorney-in-Fact of the _____ (Surety) thereto and his own name as Attorney-in-Fact.

Notary Public in and for said State

(SEAL)

My Commission expires: _____
NOTE: A copy of the power of attorney to local representatives of the bonding company must be attached hereto.

PAYMENT BOND
(CALIFORNIA PUBLIC WORK)

KNOW ALL MEN BY THESE PRESENTS:

THAT WHEREAS, the City of Imperial (sometimes referred to hereinafter as "Obligee") has awarded to (hereinafter designated as the "Contractor"), an agreement dated _____, described as follows:

7TH, 10TH & 14TH STREETS REHABILITATION PROJECT

BID NO. 2024-01

(hereinafter referred to as the "Contract"): and

WHEREAS, said Contractor is required to furnish a bond in connection with said Contract, and pursuant to Section 3247 of the California Civil Code;

NOW, THEREFORE, We, _____, the undersigned Contractor, as Principal; and _____, a corporation organized and existing under the laws of the State of _____, and duly authorized to transact business under the laws of the State of California, as Surety, are held and firmly bound unto the City of Imperial and to any and all persons, companies or corporations entitled to file stop notices under Section 3181 of the California Civil Code, in the sum of _____ Dollars (\$ _____), said sum being not less than one hundred percent (100%) of the total amount payable by the said Obligee under the terms of the said Contract, for which payment will and truly to be made, we bind ourselves, our heirs, executors and administrators, successors and assigns, jointly and severally, firmly by these presents.

THE CONDITION OF THIS OBLIGATION IS SUCH that, if said Contractor, his or its heirs, executors, administrators, successors or assigns, or Sub-contractors, shall fail to pay for any materials, provisions or other supplies, implements, machinery or power used in, upon for or about the performance of the Public Work contracted to be done, or to pay any person for any work or labor of any kind, or for bestowing skills or other necessary services thereon, or for amounts due under the Unemployment Insurance Code with respect to such work or labor, or for any amounts required to be deducted, withheld, and paid over to the Employment Development Department from the wages of employees of said Contractor and his Subcontractors pursuant to Section 13020 of the Unemployment Insurance Code with respect to such work and labor as required by the provisions of Section 3247 through 3252 of the Civil Code, the Surety or Sureties hereon will pay for same in an amount not exceeding the sum specified in this bond, otherwise the above obligation shall be void. In addition to the provisions hereinabove, it is agreed that this bond will inure to the benefit of any and all persons, companies and corporations entitled to serve stop notices under Section 3181 of the Civil Code, so as to give a right of action to them or their assigns in any suit brought upon this bond.

The Surety, for value received, hereby stipulates and agrees that no change, extension of time, alteration or additions to the terms of the said Contract or to the work to be performed thereunder or the Specifications accompanying the same shall in any way affect its obligations on this bond, and it does hereby waive notice of any such change, extension of time, alteration or addition to the terms of the Contract or to the work or to the Specifications.

No final settlement between the Obligee and the Contractor hereunder shall abridge the right of any beneficiary hereunder, whose claim may be unsatisfied.

Contractor and Surety agree that if the Obligee is required to engage the services of an

attorney in connection with the enforcement of this bond, each shall pay Obligee's reasonable attorney's fees incurred, with or without suit, in addition to the above sum.

IN WITNESS WHEREOF, we have hereunto set our hands and seal this _____ day of _____, 2024.

PRINCIPAL/CONTRACTOR:

By: _____

SURETY: _____

By: _____

Attorney-in-Fact

IMPORTANT: Surety companies executing bonds must possess a certificate of authority from the California Insurance Commissioner authorizing them to write surety insurance defined in Section 105 of the California Insurance Code, and if the work or project is financed, in whole or in part, with federal, grant or loan funds, it must also appear on the Treasury Department's most current list (Circular 570 as amended). **THIS IS A REQUIRED FORM.**

Any claims under this bond may be addressed to:

(Name and Address of Surety)

(Name and Address of agent or representative for service of process in California if different from above)

(Telephone Number of Surety and agent or representative for service of process in California).

STATE OF CALIFORNIA)
) ss.
COUNTY OF _____)

On this _____ day of _____, in the year 2024, before me, _____, a Notary Public in and for said State personally appeared _____, known to me to be the person whose name is subscribed to the within

instrument as the Attorney-in-Fact of the _____(Surety) and
acknowledged to me that he subscribed the name of the _____
_____(Surety) thereto and his own name as Attorney-in-Fact.

Notary Public in and for said State

(SEAL)

My Commission expires: _____

Note: A copy of the power of attorney to local representatives of the bonding company
must be attached hereto.

GENERAL LIABILITY ENDORSEMENT

CITY OF IMPERIAL
420 S. Imperial Ave.
Imperial, CA 92251

A. POLICY INFORMATION

Endorsement # _____

1. Insurance Company: _____

Policy Number: _____

2. Policy Term: (From) _____ (To) _____

Endorsement Effective Date: _____

3. Named Insured: _____

4. Address of Named Insured: _____

5. Limit of Liability Any One Occurrence/Aggregate:

\$ _____

6. Deductible or Self-Insured Retention (Nil unless otherwise specified):

\$ _____

7. Coverage is equivalent to:

Comprehensive General Liability form GL0002 _____

Commercial General Liability "Occurrence" form CG0001 _____

8. Bodily Injury and Property Damage Coverage is: _____

"occurrence"

Note: The City of Imperial standard insurance requirements specify "occurrence" coverage. "Claims-made" coverage is not acceptable. If commercial general liability form or equivalent is used, the general aggregate must apply separately to this location/project or the general aggregate must be twice the occurrence limit.

9. Description of Project: _____

B. POLICY AMENDMENTS

This endorsement is issued in consideration of the policy premium. Notwithstanding any inconsistent statement in the policy to which this endorsement is attached or any

other endorsement attached thereto, it is agreed as follows:

1. INSURED. As respects any work performed on the above-described Project, the City of Imperial, its elected or appointed officers, officials, employees, consulting engineers, and volunteers are included as insured with regard to damages and defense of claims arising from: (a) activities performed by or on behalf of the Named Insured, (b) products and completed operations of the Named Insured, or (c) premises owned, leased or used by the Named Insured.
2. CONTRIBUTION NOT REQUIRED. As respects: (a) work performed by the Named Insured on the above-described Project for or on behalf of the City of Imperial; or (b) products sold by the Named Insured to the City of Imperial for use on the Project; or (c) premises leased by the Named Insured from the City of Imperial, the insurance afforded by this policy shall be primary insurance as respects the City of Imperial, its elected or appointed officers, officials, employees, consulting engineers, or volunteers; or stand in an unbroken chain of coverage excess of the Named Insured schedule underlying primary coverage. In either event, any other insurance maintained by the City of Imperial, its elected or appointed officers, officials, employees, consulting engineers, or volunteers shall be in excess of this insurance and shall not contribute with it.
3. SCOPE OF COVERAGE. This policy, if primary, affords coverage at least as broad as:
 - (1) Insurance Services Office form number GL 0002 (Ed. 1/73), Comprehensive General Liability Insurance and Insurance Services Office form number GL 0404 Broad Form Comprehensive General Liability endorsement; or
 - (2) Insurance Services Office Commercial General Liability Coverage, "occurrence" form CG 0001; or
 - (3) If excess, affords coverage which is at least as broad as the primary insurance forms referenced in the preceding sections (1) and (2).
4. SEVERABILITY OF INTEREST. The insurance afforded by this policy applies separately to each insured who is seeking coverage or against whom a claim is made, or a suit is brought, except with respect to the Company's limit of liability.
5. PROVISIONS REGARDING THE INSURED'S DUTIES AFTER ACCIDENT OR LOSS. Any failure to comply with reporting provisions of the policy shall not affect coverage provided to the City Imperial, its elected or appointed officer, officials, employees, consulting engineers or volunteers.
6. CANCELLATION NOTICE. The insurance afforded by this policy shall not be suspended, voided, canceled, reduced in coverage or in limits except after thirty (30) days prior written notice by certified mail return receipt requested has been given to the City of Imperial. Such notice shall be addressed as shown in the heading of this endorsement.

C. INCIDENT AND CLAIM REPORTING PROCEDURE

Incidents and claims are to be reported to the insurer at:

ATTN: _____
(Title) (Department)

(Company)

(Street Address)

(City) (State) (Zip Code)

(Telephone Number)

D. SIGNATURE OF INSURER OR AUTHORIZED REPRESENTATIVE OF THE INSURER

I, _____, warrant that I have authority to bind the
(print/type name) listed Insurance company and by my
signature hereon do so bind this company.

SIGNATURE OF AUTHORIZED REPRESENTATIVE (Original Signature required on
endorsement furnished to the City of Imperial)

ORGANIZATION: _____
TITLE: _____
ADDRESS: _____
TELEPHONE: _____

AUTOMOBILE LIABILITY ENDORSEMENT

CITY OF IMPERIAL
420 S. Imperial Ave.
Imperial, CA 92251

A. POLICY INFORMATION

Endorsement # _____

1. Insurance Company: _____
Policy Number: _____
2. Policy Term: (From) _____ (To) _____
Endorsement Effective Date: _____
3. Named Insured: _____
4. Address of Named Insured: _____
5. Limit of Liability Any One Occurrence/Aggregate
\$ _____
6. Deductible or Self-Insured Retention (Nil unless otherwise specified):

B. POLICY AMENDMENTS

This endorsement is issued in consideration of the policy premium. Notwithstanding any inconsistent statement in the policy to which this endorsement is attached or any other endorsement attached thereto, it is agreed as follows:

1. **INSURED.** The City of Imperial, its elected or appointed officers, officials, consulting engineers, employees and volunteers are included as insured with regard to damages and defense of claims arising from: the ownership, operation, maintenance, use, loading or unloading of any auto owned, leased, hired or borrowed by the Named Insured, regardless of whether liability is attributable to the Named Insured or a combination of the Named Insured and the City of Imperial, its elected or appointed officers, officials, employees, consulting engineers or volunteers.
2. **CONTRIBUTION NOT REQUIRED.** As respects work performed by the Named Insured for or on behalf of the City of Imperial, the insurance afforded by this policy shall:
 - (a) be primary insurance as respects the City of Imperial, its elected or

appointed officers, officials, employees, consulting engineers or volunteers;

or

(b) stand in an unbroken chain of coverage in excess of the Named Insured's primary coverage. In either event, any other insurance maintained by the City of Imperial, its elected or appointed officers, officials, employees or volunteers shall be in excess of this insurance and shall not contribute with it.

3. SCOPE OF COVERAGE. This policy, if primary, affords coverage to the Named Insured at least as broad as:

(1) Insurance Services Office form number CA 00001 (Ed. 1/78), Code 1 ("any auto") and endorsement CA 0025.

(2) If excess, affords coverage which is at least as broad as the primary insurance forms referenced in the preceding section (1).

4. SEVERABILITY OF INTEREST. The insurance afforded by this policy applies separately to each insured who is seeking coverage or against whom a claim is made, or a suit is brought, except with respect to the Company's limit of liability.

5. PROVISIONS REGARDING THE INSURED'S DUTIES AFTER ACCIDENT OR LOSS. Any failure to comply with reporting provisions of the policy shall not affect coverage provided to the City of Imperial, its elected or appointed officer, officials, employees, consulting engineers or volunteers.

6. CANCELLATION NOTICE. The insurance afforded by this policy shall not be suspended, voided, canceled, reduced in coverage or in limits except after thirty (30) days prior written notice by certified mail return receipt requested has been given to the City of Imperial. Such notice shall be addressed as shown in the heading of this endorsement.

C. INCIDENT AND CLAIM REPORTING PROCEDURE

Incidents and claims are to be reported to the insurer at:

ATTN: _____
(Title) (Department)

(Company)

(Street Address)

(City) (State) (Zip Code)

(Telephone)

D. SIGNATURE OF INSURER OR AUTHORIZED REPRESENTATIVE OF THE INSURER

I, _____, warrant that I have authority to bind the
(print/type name) listed Insurance Company and by my
signature hereon do so bind this company.

SIGNATURE OF AUTHORIZED REPRESENTATIVE (Original Signature required on
endorsement furnished to the City of Imperial)

ORGANIZATION: _____
TITLE: _____
ADDRESS: _____
TELEPHONE: _____

**WORKER'S COMPENSATION/EMPLOYERS
LIABILITY ENDORSEMENT**

CITY OF IMPERIAL
420 S. Imperial Ave.
Imperial, CA 92251

A. POLICY INFORMATION Endorsement # _____

1. Insurance Company: _____

Policy Number: _____

2. Effective Date of This Endorsement: _____

3. Named Insured: _____

4. Employer's Liability Limit (Coverage B) _____

B. POLICY AMENDMENTS

In consideration of the policy premium and notwithstanding any inconsistent statement in the policy to which this endorsement is attached or any other endorsement attached thereto, it is agreed as follows:

1. CANCELATION NOTICE. The insurance afforded by this policy shall not be suspended, voided, canceled, reduced in coverage or in limits except after thirty (30) days prior written notice by certified mail return receipt requested has been given to the City of Imperial. Such notice shall be addressed as shown in the heading of this endorsement.

2. WAIVER OF SUBGROGATION. The Insurance Company agrees to waive all rights of subrogation against the City of Imperial, its elected or appointed officers, officials, agents and employees for losses paid under the terms of this policy which arise from work performed by the Named Insured for the City of Imperial.

C. SIGNATURE OF INSURER OR AUTHORIZED REPRESENTATIVE OF THE INSURER

I, _____, warrant that I have authority to bind the
(print/type name) listed Insurance company and by my
signature hereon do so bind this company.

SIGNATURE OF AUTHORIZED REPRESENTATIVE (Original Signature required on
endorsement furnished to the City of Imperial)

ORGANIZATION: _____

TITLE: _____

ADDRESS: _____

TELEPHONE: _____

CITY OF IMPERIAL

GENERAL SPECIFICATIONS

FOR 7TH, 10TH & 14TH STREETS REHABILITATION PROJECT

BID NO. 2024-01

SCOPE OF WORK

The work to be done consists of furnishing all materials, equipment, tools, labor, and incidentals as required by the contract documents, which includes, but not limited to the following activities: Removal of existing asphalt in poor conditions, grind and overlay in parts of streets as needed, installation of ¾" asphalt leveling course, installation of asphalt-rubber aggregate membrane (ARAM), installation of gap-graded asphalt rubber hot mix (ARHM), slurry seal, removal and replacement of fire hydrants, removal and replacement of sanitary sewer manholes, installation of Storm Drain System (12" Dia. ADS HP Storm Drain Pipe, PCC Junction Boxes & PCC Catch Basins), utility adjustments, removal and replacement of concrete curb & gutter, sidewalks and ADA ramps, installation of thermoplastic striping. Includes road traffic control around the construction zones. All work to be completed within existing City of Imperial public right of way. The grindings derived from the construction activity listed under Item "6" of the Proposal Bid Sheet, shall be disposed and "stockpiled" at the following location: City Shop & Wastewater Treatment Plant located at 701 E. 14th Street, Imperial, CA 92251.

LOCATION OF WORK

1. 7th Street between South "D" Street & Old SR-86.
2. 10th Street between North "E" Street & Old SR-86.
3. 14th Street from 170' West of N. "C" street to Old SR-86.

TIME OF COMPLETION

The Contractor shall complete all work in every detail within **Ninety (90) consecutive calendar days** after the date of the Notice to Proceed, exclusive of maintenance periods.

TRAFFIC REQUIREMENTS

All streets must remain open to public traffic. Temporary street and/or sidewalk closures may be made with the prior approval of the City Engineer.

UTILITY REQUIREMENTS

The Contractor is advised of the existence of the utility notification service provided by UNDERGROUND SERVICE ALERT (USA). USA member utilities will provide the Contractor with an approximate location of their substructures in the construction area when the Contractor gives at least 48 hours notice to the Underground Service Alert by calling 1-800-422-4133. Contractor shall contact USA as specified and shall provide the City with proof of contact with USA upon request.

The Contractor shall notify the following agencies at least 48 hours in advance of excavating around any of their structures. The utility companies listed below can be contacted as indicated.

1. Imperial Irrigation District: Ignacio Romo, (760) 482-3426
2. Southern California Gas: Joe Montenegro, (760) 352-6100
3. SBC - Telephone Company: Mike Ormond, (760) 337-3358
4. Time Warner (cable TV): Keith Johnson, (760) 352-8835
5. County Public Works Department: Veronica Atondo, (442) 265-1818
6. City of Imperial Public Services: David Dale, (760) 355-3336
8. Community Development Director: Othon Mora, (760) 355-1152

The Contractor shall exercise extreme care to protect all existing utilities in place whether shown on the plans or not and shall assume full responsibility for all damage resulting from his operations. The Contractor shall coordinate with each utility company as to the requirements and methods for protection of their facilities during the construction period and shall be responsible for preparation and processing of any required plans or permits. The Contractor shall assume full responsibility to maintain uninterrupted service for all utilities, including temporary service connections. Payment for protection in place shall be deemed as included in the items of work as shown on the proposal bid sheet and no additional compensation will be allowed.

FLOW AND ACCEPTANCE OF WATER

It is anticipated that storm, surface or other waters may be encountered at various times and locations during the work herein contemplated. The Contractor, by submitting a bid, acknowledges that he has investigated the risk arising from such waters and has prepared his bid accordingly, and Contractor, by submitting a bid, assumes all of said risk.

The Contractor shall conduct his operations in such a manner that storm, or other waters may proceed uninterrupted along their existing street or drainage courses. Diversion of water for short reaches to protect construction in progress will be permitted if public and/or private properties, in the opinion of the Engineer, are not subject to the probability of damage. The Contractor shall obtain written permission from the applicable public agency or property owner before any diversion of water outside of street right of way will be permitted.

REMOVAL OF WATER / DEWATERING

The Contractor shall provide and maintain at all times during construction ample means and devices to promptly remove and properly dispose of all water entering the excavations or other parts of the work. Dewatering for the pipelines shall commence when ground water is first encountered and shall be continuous until such time as the excavated area or trenches are properly backfilled. Dewatering shall be accomplished by well points or some other method which will insure a preservation of final lines and grade of the bottoms of excavation, all subject to the approval of the Engineer.

Disposal of water from dewatering operations shall be the sole responsibility of the Contractor. Disposal methods shall conform to the Porter-Cologne Water Quality Control Act, 1974, the Federal Water Pollution Control Act Amendments of 1972, and the California Administrative Code, Title 23, Chapter 3.

Full compensation of dewatering shall be considered as included in the contract prices paid for the related items of work, and no additional compensation will be allowed, therefore.

TRENCH EXCAVATION AND SHORING

For any contract for public works for excavation of any trench or trenches five (5) feet or more in depth, the Agency shall require submission by the Contractor and acceptance by the awarding body or by a Registered Civil or Structural Engineer to whom authority to accept has been delegated, in advance of excavation, a detailed plan showing the design

of shoring, bracing, sloping, or other provisions to be made for worker protection from the hazard of caving ground during the excavation of such trench or trenches. This plan shall be prepared by a Registered Civil or Structural Engineer.

Nothing in this Section shall be deemed to allow the use of a shoring, sloping, or protective system less effective than that required by the safety standards set forth by the State of California Safety Requirements. Nothing in this Section shall be construed to impose tort liability on the awarding body or any of its employees.

STANDARD SPECIFICATIONS

The Standard Specifications of the Agency are contained in the latest edition of the STANDARD SPECIFICATIONS FOR PUBLIC WORKS CONSTRUCTION, as written and promulgated by the Joint Cooperative Committee of the Southern California Chapter of the American Public Works Association and the Southern California District of the Associated General Contractors of California (The Greenbook).

Copies of these Standard Specifications are available from the publisher:

Building News, Incorporated
P.O. Box 3031 Terminal Annex
Los Angeles, California 90051
(213) 202-7775
<http://www.bnibooks.com>

The Standard Specifications set forth above will control the general provisions for this contract except as amended by the Plans, Special Provisions, or other contract documents.

The section numbers of the following Special Provisions coincide with those of the said Standard Specifications. Only those sections requiring amendment or elaboration, or specifying options, are called out.

In case of conflict between the Standard Specifications and the Special Provisions, the Special Provisions shall take precedence over and be used in lieu of such conflicting portions.

References in the Special Provisions to Standard Plans shall mean the Standard Plans of the City of Imperial or another governing agency as specified.

Where the Plans or Specifications describe portions of the work in general terms, but not in complete detail, it is understood that the item is to be furnished and installed complete and in place and that only the best general practice is to prevail and that only materials and workmanship of the first quality are to be used. Unless otherwise specified, the Contractor shall furnish all labor, materials, tools, equipment and incidentals, and do all the work involved in executing the contract.

WAGE RATES AND LABOR CODE REQUIREMENTS

Wage Rates

The Contractor and all Subcontractors shall be required to adhere to the higher of the Federal or State general prevailing rate of per diem wages as determined and published by Davis-Bacon or the State Director of the Department of Industrial Relations, pursuant to Sections 1770, 1773, and 1773.2 of the California Labor Code. Copies of these rates and the latest revisions thereto are on file in the Office of the Clerk of the Agency and are available for review upon request.

Attention is directed to the provisions of Sections 1774, 1775, 1776, 1777.5, and 1777.6 of the State Labor Code. Sections 1774 and 1775 require the Contractor and all subcontractors to pay not less than the highest of either the federal or state prevailing wage rates to all workmen employed in the execution of the contract and specify forfeitures and penalties for failure to do so. The minimum state wage rates to be paid are those determined by the State Director of the Department of Industrial Relations. Section 1776 requires the Contractor and all Subcontractors to keep accurate payroll records, specifies the contents thereof, their inspection and duplication procedures, and certain notices required of the Contractor pertaining to their location.

Apprentices

Section 1777.5 requires the Contractor or Subcontractor employing tradesmen in any apprentice able occupation to apply to the Joint Apprenticeship Committee nearest the site of the public works project and which administers the apprenticeship program in that trade for a certificate of approval. The certificate will also fix the ratio of apprentices to journeymen to be used in the performance of the contract.

The Contractor is required to make contributions to funds established for the administration of apprenticeship programs if he employs registered apprentices or journeymen in any apprentice able trade and if other Contractors on the public works site are making such contributions.

Information relative to apprenticeship standards, contributions, wage schedules and other requirements may be obtained from the State Director of Industrial Relations or from the Division of Apprenticeship Standards.

Clayton Act and Cartwright Act

Section 4551 of the State Government Code specifies that in executing a public works contract with the Agency to supply goods, services or materials, the Contractor or Subcontractors offers and agrees to assign to the Agency all rights, title and interest in and to all causes of action it may have under Section 4 of the Clayton Act (15 U.S.C. Sec. 15) or under the Cartwright Act (Chapter 2 commencing with Sec. 16700) of Part 2 of Division 7 of the Business and Professions Code, arising from purchase of goods, services or materials pursuant to the contract or subcontract. This assignment shall become effective when the Agency tender's final payment to the contractor without further acknowledgment by the parties.

CITY OF IMPERIAL SPECIAL PROVISIONS

For
7TH, 10TH & 14TH STREETS REHABILITATION PROJECT

BID NO. 2024-01

MODIFICATIONS TO: STANDARD SPECIFICATIONS FOR PUBLIC WORKS CONSTRUCTION

PART I - GENERAL PROVISIONS

SECTION 1 - TERMS, DEFINITIONS, ABBREVIATIONS AND SYMBOLS

1-1 DEFINITIONS.

City	- City of Imperial
Board	- City Council
Caltrans	- California Department of Transportation
County	- County of Imperial
Engineer	- City Engineer
Federal	- United States of America
State	- State of California

SECTION 2 - SCOPE AND CONTROL OF THE WORK

2-1 AWARD AND EXECUTION OF CONTRACT.

Is amended as follows:

Within ten (10) working days after the date of the Notice of Award, the Contractor shall execute and return the following contract documents to the Agency:

- ~ Contract Agreement
- ~ Faithful Performance Bond
- ~ Payment Bond
- ~ General Liability Endorsement
- ~ Automobile Liability Endorsement
- ~ Worker's Compensation/Employers Liability Endorsement

Failure to comply with the above will result in annulment of the award and forfeiture of the Proposal Guarantee.

The Contract Agreement shall not be considered binding upon the City until executed by the authorized City officials.

A corporation to which an award is made may be required, before the Contract Agreement is executed by the City, to furnish evidence of its corporate existence, of its right to enter into contracts in the State of California, and that the officers signing the contract and bonds for the corporation have the authority to do so.

2-2 CONTRACT BONDS.

add the following:

Both the Faithful Performance Bond and the Payment Bond shall each be for not less than one hundred percent (100%) of the total contract amount. The Payment Bond shall remain in force until thirty-five (35) days after the date of recordation of

the Notice of Completion. The Faithful Performance Bond will not be released until one year after said date.

2-3 PLANS AND SPECIFICATIONS.

2-3.1 General.

the first paragraph is amended as follows:

The Contractor shall maintain a control set of Plans and Specifications on the project site at all times. All final locations determined in the field, and any deviations from the Plans and Specifications, shall be marked in red on this control set to show the record conditions. Upon completion of all work, the Contractor shall return the control set to the Engineer. Final payment will not be made until this requirement is met.

SECTION 3 - CHANGES IN WORK

3-1 CHANGES INITIATED BY THE AGENCY

3-1.1 General.

add the following:

The term "Contract Price" as specified herein shall serve to mean the total dollar value of the Contractor's original bid for all of the various items of work combined and shall not be construed to mean the subtotal shown for any singular item of work.

3-2 EXTRA WORK

3-2.1 Payment

3-2.2 Markup.

add the following as the first paragraph:

The markups mentioned hereinafter shall include, but are not limited to, all costs for the services of superintendents, project managers, timekeepers, and other personnel not working directly on the change order and pickup or yard trucks used by the above personnel. These costs shall not be reported as labor or equipment elsewhere except when actually performing work directly on the change order and then shall not be reported at the labor classification of the work performed.

SECTION 4 - CONTROL OF MATERIALS

4-1 MATERIALS AND WORKMANSHIP

4-1.1 Test of Materials.

add the following:

TESTING LABORATORY SERVICES

All test which require the services of a laboratory to determine compliance with the Contract Documents shall be performed by an independent commercial testing laboratory acceptable to the Engineer.

Samples and test specimens will be delivered to the testing laboratory by testing laboratory personnel. The testing laboratory shall perform all laboratory tests within a reasonable time.

Contractor shall furnish all sample materials and cooperate in the sampling and field-testing activities, interrupting the Work when necessary. When sampling or testing activities are performed in the field by Engineer, Contractor shall furnish personnel and facilities to assist in the activities as required.

The City shall not retain any testing laboratory against which Contractor has reasonable objection, and if at any time during the construction process the services become unacceptable to Contractor, Contractor may request in writing that such services be terminated.

The request must be supported with evidence of improper testing. If the Engineer determines that sufficient cause exists, the Engineer shall terminate the services and engage a different testing laboratory.

TRANSMITTAL OF TEST REPORTS

Written reports of tests and engineering data furnished by Contractor for Engineer's review of materials and equipment proposed to be used in the Work shall be submitted as specified for Shop Drawings.

The testing laboratory retained by the Engineer will furnish three copies of a written report of each test performed by laboratory personnel. Two copies of each test report will be transmitted to the engineer and one copy to the Contractor within three working days after each test is completed.

SECTION 5 - UTILITIES

- 5-1 LOCATION.
add the following paragraph:

The Contractor shall notify the utilities designated in the General Specifications at least 48 hours in advance of excavating around any of their structures.

SECTION 6 - PROSECUTION, PROGRESS, AND ACCEPTANCE OF THE WORK

- 6-1 CONSTRUCTION SCHEDULE AND COMMENCEMENT OF WORK.
is amended as follows:

The Contractor's proposed Construction Schedule shall be submitted to the Engineer within ten (10) working days after the date of the Notice of Award of Contract. The schedule shall be supported by written statements from each supplier of materials or equipment indicating that all orders have been placed and acknowledged and setting forth the dates that each item will be delivered.

Prior to issuing the Notice to Proceed, the Engineer will schedule a pre-construction meeting with the Contractor to review the proposed Construction Schedule and delivery dates, arrange the utility coordination, discuss construction methods, and clarify inspection procedures.

The Contractor shall submit periodic Progress Reports to the Engineer by the tenth day of each month. The report shall include an updated Construction Schedule. Any deviations from the original schedule shall be explained. Progress payments will be withheld pending receipt of any outstanding reports.

6-2 TIME OF COMPLETION.

6-2.1 General.

add the following:

The time for completion shall be **Ninety (90) consecutive calendar days** from the issuance date of the Notice to Proceed.

6-2.2 Working Day.

is amended as follows:

The Contractor's activities shall be confined to the hours between 7:00 AM and 6:00 PM, Monday through Friday, excluding holidays. Deviation from these hours will not be permitted without the prior consent of the City of Imperial Planning and Development Department, except in emergencies involving immediate hazard to persons or property.

In the event of either a requested or emergency deviation, inspection service fees will be charged against the Contractor. The service fees will be calculated at overtime rates including benefits, overhead, and travel time. The service fees will be deducted from any amounts due the Contractor.

6-3 LIQUIDATED DAMAGES.

the last sentence is amended as follows:

For each consecutive calendar day in excess of the time specified, as adjusted in accordance with Subsection 6-6, for completion of the work the Contractor shall pay to the Agency, or have withheld from monies due it, the sum of \$1,000.00 per day.

SECTION 7 - RESPONSIBILITIES OF THE CONTRACTOR

7-1 CONTRACTOR'S EQUIPMENT AND FACILITIES.

add the following:

A noise level limit of 86 dbA at a distance of fifty feet (50') shall apply to all construction equipment on or related to the job whether owned by the Contractor or not. The use of excessively loud warning signals shall be avoided except in those cases required for the protection of personnel.

7-2 LABOR.

7-2.2 Laws.

add the following:

The Contractor, and all subcontractors, suppliers and vendors, shall comply with all Agency, State, and Federal orders regarding affirmative action to ensure equal employment opportunities and fair employment practices. Failure to file any report due under said orders will result in suspension of periodic progress payments.

The Contractor shall ensure unlimited access to the job site for all equal employment opportunity compliance officers.

7-3 LIABILITY INSURANCE.

the entire Subsection is amended as follows:

7-3.1 Indemnification.

The Contractor shall indemnify and save harmless the CITY OF IMPERIAL and the County of Imperial from all claims or suits for damages arising from his prosecution of the contract work, as more fully described in Subsection 7-3.2 "Contractor's Liability".

The Contractor shall maintain during the life of the contract a protective liability policy. The policy shall provide for not less than the following amounts;

Bodily Injury	\$ 500,000	each person
	\$1,000,000	each accident
	\$1,000,000	aggregate products and completed operations
Property Damage	\$ 250,000	each accident
		Worker's Compensation Statutory

All liability insurance policies shall bear an endorsement or shall have attached a rider whereby it is provided that, in the event of expiration or proposed cancellation of such policies for any reason whatsoever, the Agency shall be notified by registered mail, return receipt requested, giving a sufficient time before the date thereof to comply with any applicable law or statute, but in no event less than 30 days before expiration or cancellation is effective. The following statement shall be included on the insurance certificate:

"Additional Insured: The insurer agrees that the City and its City Council, and/or all City Council appointed groups, committees, boards and any other City Council appointed body, and/or elective and appointive officers, servants or employees of the City when acting as such are additional insured hereunder, for the acts of the insured, and such insurance shall be primary to any insurance of the City."

The Contractor agrees to protect, defend and indemnify the CITY OF IMPERIAL against loss, damage or expense by reason of any suit, claims, demands, judgments and causes of action caused by the Contractor, his employees, agents or any subcontractor or by any third party arising out of or in consequence of the performance of all or any operations covered by the Certificate of Insurance. The Contractor, at his option, may include such coverage under his Public Liability coverage.

7-3.2 Contractor's Liability.

The CITY OF IMPERIAL, its City Council, or the Engineer shall not be answerable or accountable in any manner, for any loss or damage that may happen to the work or any part thereof; or for any of the materials or other things used or employed in performing the work; or for injury to any person or persons, either workmen or the public; or for damage to adjoining property from any because which might have been

prevented by the Contractor, or his workmen, or anyone employed by him; against all of which injuries or damages to persons and property the Contractor having control over such work must properly guard. The Contractor shall be responsible for

any damage to any person or property resulting from defects or obstructions at any time before its completion and final acceptance, and shall indemnify and save harmless the CITY OF IMPERIAL, its City Council, and the Engineer from all suits or actions of every name and description, brought for, or on account of, any injuries or damages received or sustained by any person or persons, or by the Contractor, his servants or agents, in the construction of the work or by or in consequence of any negligence in guarding the same, in improper materials used in its construction,

or by or on account of any act or omission of the Contractor or his agents, and so much of the money due the Contractor under and by virtue of the Contract as shall be considered necessary by the City may be retained by the City until disposition has been made of such suits or claims for damages aforesaid.

If, in the opinion of the Engineer, the precautions taken by the Contractor are not safe or adequate at any time during the life of the Contract, he may order the Contractor to take further precautions, and if the Contractor shall fail to do so, the Engineer may order the work done by others and charge the Contractor for the cost thereof, such cost to be deducted from any moneys due or becoming due the Contractor. Failure of the Engineer to order such additional precautions, however, shall not relieve the Contractor from his full responsibility for public safety.

7-4 PERMITS.

the first sentence is amended as follows:

Prior to the start of any work, the Contractor shall take out the applicable Agency permits and make arrangements for Agency inspections. The Contractor and all subcontractors shall each obtain any and all other permits, licenses, inspections, certificates, or authorizations required by any governing body or public utility. Payment for this work shall be included in the bid items of work and no additional compensation will be allowed. The City of Imperial will waive the City's usual encroachment permit fees.

The Contractor and all subcontractors shall each obtain any and all other permits, licenses, inspections, certificates, or authorizations required by any governing body or public utility. Payment for this work shall be included in the bid items of work and no additional compensation will be allowed.

7-5 PUBLIC CONVENIENCE AND SAFETY.

7-5.1 Traffic and Access.

add the following:

When entering or leaving roadways carrying public traffic, the Contractor's equipment, whether empty or loaded, shall in all cases yield to public traffic.

The Contractor shall notify all affected property owners of the proposed schedule a minimum of 48 hours, but not more than 72 hours, in advance of any limitation or closure of access to their property. Form of said notice shall be as approved by the Engineer and shall contain the date and time of the closure. In the event of delay, whether beyond the control of the Contractor or not, the Contractor shall notify all affected property owners as to the extent of the delay and his revised schedule. In the event of delay over 72 hours, the Contractor shall re-notify the property owners as described above. Payment for notification and coordination as per Section 7-10 as modified herein shall be included in the compensation paid for the various items of work and no additional compensation will be allowed.

7-5.2 Storage of Equipment and Materials in Public Streets.

add the following:

The Contractor shall assume full responsibility for any damage caused by stockpiling and shall repair same at his expense. The Contractor shall also be responsible for providing traffic control as required to protect the public from hazards caused by stockpiling within the right of way. Payment for the above, if any, will be deemed as included in the items of work and no additional compensation will be allowed.

The Contractor may, at his own expense, maintain and operate a work and storage area outside of the public right-of-way.

In such case the Contractor shall submit to Agency written authorization from the owners of the subject property prior to occupation. Occupation of site without written authorization shall be grounds for immediate suspension of work.

Location of site to be approved by Agency. Condition and operation of yard shall conform to these specifications. The Contractor shall assume full responsibility for all damage to the site resulting from his operations and shall repair and/or replace same, at his own expense, to the satisfaction of the owner of the subject property. The Contractor shall vacate site and return it to pre-project condition within five (5) working days following application for Notice of Completion. The Contractor shall obtain a written release from the property owner accepting the condition of the vacated site and releasing the Contractor from any further clean-up or restoration work and shall submit a copy of such release to Agency. The Notice of Completion will not be issued until said release is submitted.

7-5.3 Street Closures, Detours, and Barricades.

add the following:

The Contractor shall maintain the minimum traffic requirements designated in the General Specifications. It shall be the Contractor's responsibility to furnish a detailed detour signing and barricade plan for Agency approval.

The Contractor shall be responsible for providing temporary access to all driveways at the end of each workday.

The Contractor shall provide and maintain all other signs, barricades, pedestals, flashers, delineators and other necessary facilities for the protection of the public within the limits of the construction area. He shall also post proper signs to notify the public regarding detours and the condition of the roadway, all in accordance with the provisions of the Vehicle Code and the current State of California Department of Transportation Manual of Warning Signs, Lights and Devices for Use in Performance of Work Upon Highways.

The Contractor shall furnish competent flagmen as are necessary to give adequate warning to traffic or to the public of any dangerous conditions to be encountered. Flagmen, while on duty and assigned to give warnings to the public of construction and of any dangerous conditions to be encountered as a result thereof, shall perform their duties and shall be provided with the necessary equipment in accordance with the current "Instructions to Flagmen," of the Department of Transportation. The equipment shall be furnished and kept clean and in good repair by the Contractor, at his expense.

Should the Contractor appear to be neglectful or negligent in furnishing warning and protective measures as provided, the Engineer may direct attention to the existence of a hazard and the necessary warning and protective measures shall be furnished and installed by the Contractor at his expense. Should the Engineer point out the inadequacy of warning and protective measures, such action on the part of the Engineer shall not relieve the Contractor from responsibility for public safety or abrogate his obligation to furnish any pay for these devices.

The Contractor shall distribute notices to all affected residents and businesses at the stated minimum time prior to the start of work:

Excavations, overlays and miscellaneous repairs – 36 hours

The Contractor shall also be required to post "Temporary No Parking" signs along the streets to be resurfaced during each working day, forty-eight (48) hours prior to resurfacing. The "NOTICES" and "Temporary No Parking" signs will be furnished by the Contractor.

The Contractor shall notify the following entities at least forty-eight (48) hours in advance of any street closure or restriction to access:

1. City of Imperial Engineering Division at 355-1152
2. Fire Department at (442) 265-3010
3. Imperial Police Dept. at 355-4327
4. Imperial County Sheriff's Dept.: (442) 265-2021
5. Imperial County Public Works Dept.: (442) 265-1818

Full compensation for conforming to this article shall be considered as included in the various items of work involved, and no additional compensation will be allowed, therefore.

7-5.4 Safety.

7-5.4.1 Safety Orders.
add the following:

CONSTRUCTION SAFETY ORDERS

The Construction Safety orders of the State of California, Department of Industrial Relations, effective November 15, 1975, and as amended, shall be applicable to the work in this contract. The Contractor's special attention is directed to:

Article 6

Excavations, Trenches and Earthwork

Article 11

Traffic Control, Flagmen, Barriers and Warning signs; and

***Article 28 ***

Miscellaneous Construction Equipment prior to the start of work, the Contractor will be required to obtain a permit from the Office of the Division of Occupational Safety and Health. The office serving the Imperial area is at 7807 Convoy court, Suite 140, San Diego, California 92111, Telephone Number; (619) 637-5534.

The Contractor shall provide the City Engineer's office with a copy of the permit prior to the start of excavation, and the permit shall be maintained on the job site at any timework requiring trenching or shoring operations exist.

Where excavation of any trench 5 feet or more in depth is required, the Contractor shall submit to the City Engineer for approval, in writing, two weeks in advance of excavations, a detailed plan showing the design of shoring bracing, sloping, protection of existing utilities, or other provisions to be made for worker protection from the hazard of caving ground during the excavation of such trench. If such plan varies from shoring system standards established by the Construction Safety Order. The plan shall be prepared by a Registered Civil or Structural Engineer.

Copies of said regulations are available from the documents Section, P.O. box 20191, Sacramento, California 95820. The cost of furnishing labor, tools, equipment, services and items required thereby shall be borne by the Contractor as part of this contract work and he shall not be entitled to additional compensation for compliance with said regulations.

7-6 PAYROLL RECORDS.
add the following paragraph:

Payroll records shall be submitted to the Agency by the tenth day of each month. Progress payments will be withheld pending receipt of any outstanding reports.

SECTION 8 - MEASUREMENT AND PAYMENT

8-1 Partial and Final Payment.
the last paragraph is amended as follows:

The closure date for periodic progress payments will be five (5) working days prior to the first Monday of each month.

The final progress payment will not be released until the Contractor returns the control set of Plans and Specifications showing the as-built conditions.

The full five percent (5%) retention will be deducted from all payments. The final retention will be authorized for payment thirty-five (35) days after the date of recordation of the Notice of Completion.

In conformance with the Public Contracts Code, Section 22300, the Contractor may substitute securities for any monies withheld by the Agency to secure performance under the contract.

At the request and expense of the Contractor, securities equivalent to the amount withheld shall be deposited with the Agency or with a State or Federally chartered bank as the escrow agent who shall pay such monies to the Contractor upon notification by Agency of Contractor's satisfactory completion of the contract. Actual pay quantity measurements will be done at the end of each working day and agreed upon by both the Contractor and the Engineer's representative.

The type of securities deposited, and the method of release shall be approved by the City Attorney's office.

8-1.1 Delivered Materials.

is amended as follows:

Materials and equipment delivered but not incorporated into the work will not be included in the estimate for progress payment, subject to the discretion of the City Engineer.

8-1.2 Dewatering.

is amended as follows:

The Contractor may encounter groundwater or water from other sources during excavation. The Contractor shall provide and maintain at all times during construction, ample means and devices with which to promptly remove and properly dispose of all water from any source entering the excavations or other parts of the work. Dewatering shall be accomplished by methods, which will ensure a dry excavation and preservation of the final lines and grades of the bottoms of excavations.

Dewatering shall commence when groundwater is first encountered and shall be continuous until such times as water can be allowed to rise in accordance with the provisions of this section or other requirements.

Disposal of watering from dewatering operations shall be the sole responsibility of the Contractor. Disposal methods shall conform to the Porter-Cologne Water quality control Act, 1974, the Federal Water Pollution Control Act Amendment of 1972; and the California Administrating code, Title 23, Chapter 3.

The Contractor shall dispose of the water from the work in a suitable manner without damage to adjacent property. Conveyance of the water shall be such as to

not interfere with traffic flow or other construction. No water shall be drained into work built or under construction without prior consent of the City Engineer.

Water shall be desanded before disposal in any storm drain system. The system used for desanding the water shall be a baffled structure and shall provide not less than five minutes detention time and shall have a "flow-through" velocity not exceeding 0.2 feet per second at the anticipated peak flow. The desanding box shall be cleaned as required to maintain the detention time and flow-through limitations specified above.

*8-1.3 Mobilization.
is amended as follows:*

Mobilization shall consist of preparatory work and operations, including but not limited to those necessary for the movement of personnel, equipment, supplies, and incidentals to the project site; for the establishment of all offices, buildings and other facilities necessary for the work on this project; and for all work and operations which must be performed or cost incurred prior to beginning work on the various contract items on the project site.

The compensation paid for mobilization shall be full compensation for all costs incurred by the Contractor for doing all the work involved in mobilization as specified herein. Payment for mobilization will be included in the items of work listed in the **BID PROPOSAL**.

PART II – CONSTRUCTION MATERIALS

All CONSTRUCTION MATERIALS AND CONSTRUCTION METHODS shall be according to the latest edition of the State of California Department of Transportation (CALTRANS) Standard Specifications, CALTRANS Standard Drawings / Details, the 2024 Edition of the "Standard Specifications for Public Works Construction" ("GREENBOOK") and, according to the CONSTRUCTION PROJECT PLANS called for in APPENDIX C.

PART III – STANDARD SPECIFICATIONS FOR PUBLIC WORKS CONSTRUCTION ("GREENBOOK") 2024 Edition

ASPHALT GRINDING AND OVERLAY SPECIFICATIONS

203-11 ASPHALT RUBBER HOT MIX (ARHM).

203-11.1 General. Asphalt Rubber Hot Mix shall consist of a mixture of paving asphalt, asphalt modifier, crumb rubber modifier (CRM), and aggregate mixed in a central mixing plant.

203-11.2 Materials. The Contractor shall submit test reports and Certificates of Compliance conforming to 4-5 for the paving asphalt, asphalt modifier, and CRM to be used. When requested by the Engineer, the Contractor shall also submit samples of the tested material.

203-11.2.1 Paving Asphalt. Paving asphalt used for asphalt-rubber shall be PG 64-16, conforming to 203-1. Performance graded paving asphalts other than PG 64-16 may be used if so specified in the Special Provisions.

203-11.2.2 Asphalt Modifier. The asphalt modifier shall be a resinous, high flash point, aromatic hydrocarbon compound and shall conform to the requirements shown in Table 203-11.2.2. The asphalt modifier may be eliminated if approved by the Engineer.

TABLE 203-11.2.2

Property	ASTM Test Method	Value
Flash Point, C.L.O.C., °F (°C)	D92	405 (207) min
Viscosity, cSt @ 212°F (100°C)	D445	X ± 3*
Molecular Analysis		
Asphaltenes, percent by mass	D2007	0.1 max
Aromatics, percent by mass	D2007	55 min

* The symbol "X" is the viscosity of the asphalt modifier the Contractor proposes to furnish. The value "X" which the Contractor proposes shall be between the limits of 19 and 36 and shall be submitted in writing to the Engineer. Any proposed change requested by the Contractor in the value "X" shall require a new asphalt-rubber binder design.

203-11.2.3 Crumb Rubber Modifier (CRM).

203-11.2.3.1 General. CRM shall consist of a combination of scrap tire CRM and high natural CRM. Scrap tire CRM shall consist of ground or granulated rubber derived from any combination of automobile tires, truck tires or tire buffings. The high natural CRM shall consist of ground or granulated rubber derived from materials that utilize high natural rubber sources. Whole scrap tire CRM shall be derived from whole scrap tires generated within the State boundaries of the user agencies. The Certificate of Compliance shall contain a statement confirming conformance with this requirement. The high natural CRM may consist of blended CRM.

CRM shall be ground or granulated at ambient temperature. Cryogenically produced CRM particles which can pass through the grinder or granulator without being ground or granulated shall not be used. Cryogenic separation, if utilized, shall be performed separately from and prior to grinding or granulating. Steel and fiber separation may employ any method.

CRM shall not contain more than 0.01 percent of wire by weight and shall be free of all other contaminants, except fabric. Fabric shall not exceed 0.05 percent by weight of CRM. A Certificate of Compliance certifying these percentages shall be furnished to the Engineer.

CRM shall be dry and free-flowing and not produce foaming when combined with the blended paving asphalt and asphalt modifier mixture. Calcium carbonate or talc may be added up to a maximum of 3 percent by weight of CRM to prevent CRM particles from sticking together. CRM shall have a specific gravity range from 1.1 minimum to 1.2 maximum as determined by ASTM D297. Scrap tire CRM and high natural CRM shall be delivered to the production site in separate bags and shall be sampled and tested separately. Scrap tire CRM material shall conform to the chemical analysis requirements shown in Table 203-11.2.3.1 (A).

TABLE 203-11.2.3.1 (A):

CHEMICAL REQUIREMENTS FOR SCRAP TIRE CRM

Test	ASTM Test Method	Minimum	Maximum
Acetone Extract	D297	6.0%	16.0%
Ash Content	D297	—	8.0%
Carbon Black Content	D297	28.0%	38.0%
Rubber Hydrocarbon	D297	42.0%	65.0%
Natural Rubber Content	D297	22.0%	39.0%

Scrap tire CRM shall be mixed at the production site with high natural CRM so that 75 percent \pm 2 percent of the product used is derived from scrap tires and 25 percent \pm 2 percent from materials that utilize high natural rubber sources. High natural rubber CRM may consist of blended CRM which, after blending, conforms to the chemical analysis requirements shown in Table 203-11.2.3.1 (B).

TABLE 203-11.2.3.1 (B):

CHEMICAL REQUIREMENTS FOR HIGH NATURAL CRM

Test	ASTM Test Method	Minimum	Maximum
Acetone Extract	D297	4.0%	16.0%
Rubber Hydrocarbons	D297	50.0%	—
Natural Rubber Content	D297	40.0%	48.0%

With the approval of the Engineer, high natural CRM may be eliminated. If high natural rubber is not used, then the full amount of required CRM shall be scrap tire CRM. Asphalt rubber binder without high natural CRM shall be designated as Type I and ARHM manufactured with Type I binder shall be designated as ARHM-I.

203-11.2.3.2 CRM Gradations. CRM gradations shall conform to the requirements shown in Table 203-11.2.3.2 when tested in accordance with ASTM C136, amended as follows:

Split or quarter 100 grams \pm 5 grams from the representative CRM sample and dry to a constant weight at a temperature of not less than 135°F (57°C) nor more than 145°F (63°C) and record the dry sample weight. Place the CRM sample and 5.0 grams of talc (or calcium carbonate) in a 1 pint jar. Seal the jar and shake it by hand for a minimum of one minute to mix the CRM and the talc (or calcium carbonate). Continue shaking or open the jar and stir until particle agglomerates and clumps are broken and the talc (or calcium carbonate) is uniformly mixed.

A Rotap (or equivalent) test shaker shall be used for the sieve analysis. Place one rubber ball on each sieve. Each ball shall have a weight of 8.5 ± 0.5 grams, have a diameter of 24.5 ± 0.5 mm, and shall have a Shore Durometer “A” hardness of 50 ± 5 in accordance with ASTM D2240. After shaking the combined material for 10 minutes \pm 1 minute, disassemble the sieves. Any material adhering to the bottom of a sieve shall be brushed into the next finer sieve. Weigh and record the weight of the material retained on the No. 8 (2.36 mm) sieve and leave this material on the scale or balance. Any observed fabric balls shall remain on the scale or balance and shall be placed together on the side of the scale or balance to prevent the fabric balls from being covered or disturbed when placing the material from finer sieves onto the scale or balance. The material retained on the next finer sieve shall be added to the scale or balance. Weigh and record that weight as the accumulative weight retained on that sieve. Continue weighing and recording the accumulated weight retained on the remaining sieves until the accumulated

weight retained in the pan has been determined. Prior to discarding the CRM sample, separately weigh and record the total weight of fabric balls in the sample.

Determine the weight of material passing the No. 200 (75 μ m) sieve (or weight retained in the pan) by subtracting the accumulated weight retained on the No. 200 (75 μ m) sieve from the accumulated weight retained in the pan. If the material passing the No. 200 (75 μ m) sieve (or weight retained in the pan) has a weight of 5 grams or less, cross out the recorded number for the accumulated weight retained in the pan and copy the number recorded for the accumulated weight retained on the No. 200 (75 μ m) sieve and record that number (next to the crossed out number) as the accumulated weight retained in the pan. If the material passing the No. 200 (75 μ m) sieve (or weight retained in the pan) has a weight greater than 5 grams, cross out the recorded number for the accumulated weight retained in the pan, subtract 5 grams from that number and record the difference next to the crossed out number. The adjustment to the accumulated weight retained in the pan is made to account for the 5 grams of talc (or calcium carbonate) added to the sample. For calculation purposes, the adjusted total sample weight is the same as the adjusted accumulated weight retained in the pan. Determine the percent passing based on the adjusted total sample weight and record to the nearest 0.1 percent.

**TABLE 203-11.2.3.2:
GRADING REQUIREMENTS FOR CRM**

Sieve Size	Scrap Tire CRM Percent Passing	High Natural CRM Percent Passing
No. 8 (2.36 mm)	100	100
No. 10 (2.00 mm)	98 – 100	100
No. 16 (1.18 mm)	45 – 75	95 – 100
No. 30 (600 μ m)	2 – 20	35 – 85
No. 50 (300 μ m)	0 – 6	10 – 30
No. 100 (150 μ m)	0 – 2	0 – 4
No. 200 (75 μ m)	–	0 – 1

* CRM from more than one source may be used provided the combined CRM gradation meets the specified limits. No particles shall exceed a length of 3/16 inch (5 mm) as measured on any axis.

203-11.2.4 Aggregate. The aggregate for ARHM shall meet the quality requirements specified in 200-1 for asphalt concrete.

203-11.3 Composition and Grading. Asphalt-rubber hot-mix gap-graded (ARHM-GG) shall be designated by type and class, i.e., ARHM-GG-C, and shall conform to the requirements shown in Table 203-11.3.

TABLE 203-11.3
REQUIREMENTS FOR ARHM-GG

SIEVE SIZE	CLASS		
	GG-B Min.- Max.	GG-C Min.- Max.	GG-D Min.- Max.
1" (25 mm)	100	–	–
3/4" (19.0 mm)	90-100	100	–
1/2" (12.5 mm)	–	90-100	100
3/8" (9.5 mm)	60-75	78-92	78-92
No. 4 (4.5 mm)	28-42	28-42	28-42
No. 8 (2.36 mm)	15-25	15-25	15-25
No. 30 (600 µm)	5-15	5-15	5-15
No. 200 (75 µm)	0-5	2-7	2-7
Asphalt Rubber Binder, % by Weight of Dry Aggregate ¹	7.5-8.4	7.5-8.7	7.8-8.7
Air Voids % California Test 367	3-6	3-6	3-6
Stabilometer Value, California Test 304 and 366, Min.	25	23	23
Voids in Mineral Aggregate, % Min. ²	18	18	18

1. Once the percent asphalt rubber binder is determined by the mix design, the production tolerance shall be $\pm 0.5\%$ as determined by California Test Method 362, 379, or 382.
2. Percent voids in the mineral aggregate (VMA) is to be determined during the mix design process only and is to be calculated on the basis of ASTM bulk specific gravity as described in the Asphalt Institute MS-2 manual.

203-11.4 Mixing Asphalt and CRM. The paving asphalt and asphalt modifier shall be combined into a blended mixture that is chemically compatible with the crumb rubber modifier to be used. The blended mixture is considered to be chemically compatible when it conforms to the requirements for asphalt rubber binder (after reacting) shown in Table 203-11.4.

The asphalt modifier shall be proportionately added to the paving asphalt at the production site where the asphalt-rubber binder is blended and reacted. Asphalt modifier shall be added at an amount of 2.5 percent to 6.0 percent by weight of the paving asphalt based on the recommendation of the asphalt rubber binder supplier. The paving asphalt shall be at a temperature of not less than 375°F (190°C) nor more than 440°F (226°C) when the asphalt modifier is added. If the asphalt modifier is combined with the paving asphalt before being blended with the CRM, the combined paving asphalt and asphalt modifier shall be mixed by circulation for not less than 20 minutes. This premixing of asphalt modifier and the paving asphalt will not be required when all ingredients of the asphalt rubber binder are proportioned and mixed simultaneously. Asphalt modifier and paving asphalt shall be measured for proportioning with meters conforming to 203-6-6.

The proportions of the materials, by total weight of asphalt-rubber binder, shall be 80 percent ± 2 percent combined paving asphalt and asphalt modifier, and 20 percent ± 2 percent CRM. The temperature of the blended asphalt and modifier shall be between 375°F (190°C) and 440°F (226°C) when the CRM is added. The temperature shall not exceed 10°F (6°C) below the actual flash point of the mixture. The CRM shall be combined and mixed together in an asphalt-rubber mechanical blender conforming to 203-11.5. The combined asphalt and CRM shall be pumped into a storage/reaction tank or distributor truck conforming to meeting the requirements of 203-11.5. The required mixing/reaction time shall be 45 minutes minimum. The temperature of the asphalt-rubber mixture shall be between 375°F (190°C) to 425°F (218°C) during the reaction period. After reacting, the asphalt rubber binder shall conform to the requirements shown in Table 203-11.4.

TABLE 203-11.4:
REQUIREMENTS FOR ASPHALT RUBBER BINDER

Test Parameter	Test Method	Specification Limit	
		Minimum	Maximum
Haake Field Viscosity @ 375°F (191°C), (Centipoise)	See 211-4	1500	4000
Cone Penetration @ 77°F (25°C), mm	ASTM D217	25	70
Resilient @ 77°F (25°C), % Rebound	ASTM D5239	18	—
Field Softening Point, °F (°C)	ASTM D36	52 (125)	74 (165)

The reacted asphalt rubber binder shall be maintained at a temperature of not less than 375°F (190°C) nor more than 425°F (218°C). If any of the material in a batch of asphalt rubber binder is not used within 4 hours after the 45-minute reaction period, heating of the material shall be discontinued. Any time the asphalt rubber binder cools below 375°F (190°C), and is then reheated, shall be considered a reheat cycle. The total number of reheat cycles shall not exceed 2. The material shall be uniformly reheated to a temperature of not less than 375°F (190°C) nor more than 425°F (218°C) prior to use. Additional scrap tire CRM may be added to the reheated binder and reacted for a minimum of 45 minutes. The cumulative amount of additional scrap tire CRM shall not exceed 10 percent of the total binder weight. Reheated asphalt rubber binder shall conform to requirements shown in Table 203-11.4.

When permitted by the Engineer, asphalt-rubber binder produced on a contract for another agency and defined here as “hold over material”, may be used in the Work if the initial agency certifies the following:

- a) The total weight and type of material being held over.
- b) The amount of CRM contained within the holdover load on a percentage basis.
- c) The grade of paving asphalt and asphalt modifier used and its source.
- d) Date of original mixing.
- e) Number of reheat cycles.

In no case, will more than 20 tons (18 tonnes) of holdover material be allowed to be transferred from one project to another. In all cases, the holdover material when blended with new asphalt-rubber binder, shall conform to the requirements shown in Table 203-11.4.

203-11.5 Equipment for Production of Asphalt-Rubber. The Contractor shall utilize the following equipment for production of asphalt-rubber binder:

- a) **Asphalt Heating Tank.** An asphalt heating tank equipped to heat and maintain the blended paving asphalt and asphalt modifier mixture at the necessary temperature before blending with the CRM. This unit shall be equipped with a thermostatic heat control device and a temperature reading device and shall be accurate to within $\pm 5^\circ\text{F}$ ($\pm 3^\circ\text{C}$) and shall be of the recording type.
- b) **Blender Equipment.** A mechanical mixer for the complete, homogeneous blending of paving asphalt, asphalt modifier, and CRM. Paving asphalt and asphalt modifier shall be introduced into the mixer through meters. The blending system shall be capable of varying the rate of delivery of paving asphalt and asphalt modifier proportionate with the delivery of CRM. During the proportioning and blending of the liquid ingredients, the temperature of paving asphalt and the asphalt modifier shall not vary more than $\pm 25^\circ\text{F}$ ($\pm 14^\circ\text{C}$). The paving asphalt feed, the asphalt modifier feed and CRM feed, shall be equipped with devices by which the rate of feed can be determined during the proportioning operation. Meters used for proportioning individual ingredients shall be equipped with rate-of-flow indicators to show the rates of delivery and

resettable totalizers so that the total amounts of liquid ingredients introduced into the mixture can be determined. The liquid and dry ingredients shall be fed directly into the mixer at a uniform and controlled rate. The rate of feed to the mixer shall not exceed that which will permit complete mixing of the materials. Dead areas in the mixer, in which the material does not move or is not sufficiently agitated, shall be corrected by a reduction in the volume of material or by other adjustments. Mixing shall continue until a homogeneous mixture of uniformly distributed and properly blended asphalt-rubber binder is produced. The Contractor shall provide a safe sampling device capable of delivering a representative sample of the completed asphalt-rubber binder of sufficient size to perform the required tests.

- c) **Storage/Reaction Tank.** An asphalt-rubber binder storage/reaction tank equipped with a heating system that is equipped with a temperature reading device to maintain the proper temperature of the asphalt-rubber binder and an internal mixing unit capable of maintaining a homogeneous mixture of paving asphalt, asphalt modifier and CRM.
- d) **Viscometers.** The Contractor shall supply a Haake Viscometer (or equivalent) conforming to 211-4 for use by the Engineer to verify the viscosity of the asphalt-rubber binder wherever a field laboratory is used. All asphalt concrete plants are required to have a field laboratory for use by the Engineer per 8-3.

The equipment shall be approved by the Engineer prior to use.

203-11.6 Mix Designs and Certifications. The optimum binder content for ARHM-GG mixes shall be determined by California Test Method 367 except that Step 2 regarding surface flushing shall not be used. Optimum binder content shall be determined by using a void content between 3 percent minimum to 6 percent maximum as approved by the Engineer. Compaction shall be in accordance with California Test Method 304 except for the following:

Mixing Temperatures:

Asphalt-rubber = 325°F to 360°F (163°C to 182°C)

Aggregate = 290°F to 325°F (143°C to 163°C)

Compaction Temperature = 290°F to 300°F (143°C to 149°C)

In addition to the formulations and certifications required in 203-11.2, 203-11.3 and 203-11.4 for asphalt-rubber, the Contractor shall furnish to the Engineer a mix design and samples of all materials to be used at least 10 Working Days before construction is scheduled to begin. The mix design and certifications shall include, but are not limited to, the following:

- a) Combined aggregate gradation.
- b) Individual bin gradations (hot for batch, cold for drum plant).
- c) Percentage of each bin.
- d) Asphalt rubber binder content.
- e) Density.
- f) Air Voids.
- g) Voids in Mineral Aggregates (VMA).
- h) Stability.
- i) Aggregate source
- j) Asphalt binder source

203-11.7 Mixing Binder With Aggregate. Mixing of the asphalt rubber binder with aggregate shall conform to 203-6.7 except that the temperature requirements of ARHM shall supercede the requirements in 203-6.7.

203-11.8 Storage. Storage of ARHM shall conform to 203-6.8.

203-11.9 Miscellaneous Requirements. Miscellaneous requirements shall conform to 203-6.9 except that the temperature of the asphalt rubber binder shall be 375°F (190°C) to 425°F (218°C) when added to the aggregate. The temperature of the aggregate at the time of adding the asphalt-rubber binder shall be 300°F (149°C) to 330°F (166°C).

203-12 ASPHALT RUBBER AND AGGREGATE MEMBRANE (ARAM).

203-12.1 General. ARAM consists of the application of asphalt rubber binder followed by the spreading of pre-coated, pre-heated screenings.

203-12.2 Asphalt Rubber Binder. Asphalt rubber binder shall conform to 203-11.

203-12.3 Pre-Coated, Pre-Heated Screenings. Pre-coated, pre-heated screenings shall conform to 200-1.2.2.3.

211-4 HAND HELD VISCOMETER TEST.

211-4.1 Test Apparatus. Test apparatus shall consist of the following:

- a) Viscometer: Haake Model VT – 02 rotational viscometer or equivalent.
- b) Spindle: Rotor No. 1, diameter 24 mm ± 0.1 mm, height 53 mm ± 0.1 mm or equivalent.
- c) Thermometer: Digital with metal-jacketed probe, 1°F (1°C) precision.
- d) Sample Container: 1 gallon metal can with wire bale.
- e) Standard Fluids: per fluid manufacturer’s recommendations, calibrate viscometer in absolute viscosity (centipoises).

211-4.2 Calibration. The viscometer shall be calibrated in accordance with the manufacturer’s recommendations. The accuracy of the viscometer shall be verified by comparing the viscosity results obtained with the hand held viscometer to 3 separate calibration fluids of known viscosity ranging from 1000 to 5000 centipoises. The viscometer will be considered accurate if the values obtained are within 300 centipoises of the known viscosity. The known viscosity value shall be based on the fluid manufacturer’s standard test temperature or the test temperature versus viscosity correlation table provided by the fluid manufacturer. The viscometer calibration may be performed at an offsite laboratory and a Certificate of Compliance conforming to 4-5 verifying the calibration shall be submitted to the Engineer.

211-4.3 Test Procedure. The test procedure shall be in accordance with the following:

- a) Obtain a representative sample of asphalt rubber binder from an appropriate sample valve during production. Prior to sampling, run a 1 gallon (4 L) sample of binder through the sampling valve and discard the sample. Place a clean 1 gallon (4 L) sample can under the sampling valve and fill the container to approximately 85 percent full.
- b) Transport the sample immediately to the testing location. The testing location shall be close to the sampling location to avoid undue temperature loss. The temperature of the binder prior to sampling shall be a minimum of 375°F (190°C). The sample container shall then be placed on a smooth, level support for testing.
- c) The binder shall be continuously stirred using an appropriate metal stirring rod. Use of the temperature probe is permitted. Insert the temperature probe into the binder and check the temperature. Stirring shall continue until the binder reaches a temperature of 375°F ± 5°F (190°C ± 3°C).
- d) The viscometer spindle shall be cleaned in a suitable solvent and free of any binder material prior to the test. While holding the viscometer over the sample container insert the spindle of the viscometer into the sample container near the side of the container and turn the viscometer on. While the spindle is rotating, move the spindle in and out of the binder 3 times to bring the spindle up to the temperature of the binder. Continue stirring the binder.
- e) Determine the viscosity of the binder at 375°F ± 5°F (190°C ± 3°C) as follows:
 - 1) In one continuous operation, remove the spindle vertically from the binder, turn off the spindle rotation after the binder stops dripping from the spindle (after heating), and immediately insert the spindle back into the center of the binder sample until fully immersed.

-
- 2) Wait 5 seconds to fill the spindle. While holding the viscometer level, turn the spindle on, watch the needle on the viscometer dial and record the maximum value obtained on the dial.
 - 3) Record the test temperature and maximum viscosity. (The viscometer shall be maintained and operated in accordance with the manufacturer's instructions. However, this test method shall apply if there are any differences in the instructions for the determination of the viscosity.)
- f) Report the following information for the viscosity test:
- 1) Name of the technician performing the viscometer test,
 - 2) date and location of the plant,
 - 3) asphalt rubber binder supplier,
 - 4) binder test temperature and viscosity,
 - 5) spindle size and rotational speed in revolutions per minute, and viscometer model and serial number.

301-3.4.2.3 Pulverized Base Material. Pulverized base material shall consist of existing or remaining asphalt concrete pavement, base material, and subgrade soil pulverized and mixed by a reclaimer conforming to 301-3.4.4.2.

The resultant pulverized base material shall conform to the following requirements when tested in accordance with ASTM C136:

- a) 100 percent shall pass the 3-inch (75 mm) sieve.
- b) 95-100 percent shall pass the 2-inch (50 mm) sieve.
- c) Not less than 90 percent shall pass the 1-1/2 inch (37.5 mm) sieve.
- d) 35 to 60 percent shall pass the No. 4 (4.75 mm) sieve.
- e) The material shall be uniformly graded.

302-10 ASPHALT RUBBER AND AGGREGATE MEMBRANE (ARAM).

302-10.1 Application. Asphalt rubber binder shall conform to 203-12.2. Asphalt rubber binder shall be placed upon a clean dry surface. The pavement surface temperature shall be a minimum of 55°F (13°C) including shaded areas; the atmospheric temperature shall be a minimum of 60°F (16°C) ; the wind shall not adversely affect spray distribution; and all necessary equipment shall be in position and ready to commence placement operations prior to starting the work. The Contractor shall take temperature readings with a temperature measuring device approved by the Engineer.

Asphalt rubber binder shall be applied by distributor equipment meeting the requirements of the following:

- a) Distributor trucks shall meet the requirements for distributing equipment of 203-2.5 and be equipped with an internal heating device capable of evenly heating the material to a temperature of 425°F (218°C).
- b) The distributor shall have a platform on the rear of the vehicle and an observer shall accompany the distributor.
- c) The observer shall ride in a position so that all spray bar tips are in full view and readily accessible for unplugging if a plugged tip should occur.
- d) Material shall be applied at a rate between 0.55 to 0.65 gallons per square yard (2.5 to 3.0 L/m²) as directed by the Engineer.
- e) Material spreading shall not be in excess of that which can be covered with aggregate within 15 minutes maximum.

- f) At the time of delivery to the Work site, the temperature of the asphalt rubber shall be 300°F (149°C) minimum.

The asphalt rubber binder may be applied to the roadway immediately following mixing and reacting at a temperature between 375°F (191°C) minimum to 425°F (218°C) maximum. However, if the binder is not to be used within 6 hours of mixing, the binder shall be allowed to cool below 300°F (149°C) for 12 hours maximum, or to ambient temperature for longer periods, and shall be uniformly reheated to a temperature between 375°F (149°C) minimum to 425°F (218°C) maximum at time of placement and conform to the viscosity requirements.

When joining edges against areas with cover aggregate, the joint shall be swept clean of excess aggregate prior to the adjacent application of asphalt rubber material. Transverse joints of this type shall be constructed by placing building paper across and over the end of the previous asphalt rubber binder application. Once the spraying has progressed beyond the paper, the paper shall be removed immediately.

Joints between areas of asphalt rubber binder without cover aggregate shall be made by overlapping asphalt rubber distributions. The excess material shall be dispersed by spreading with a squeegee or rake over a larger area of freshly applied asphalt rubber. The longitudinal joint between adjacent applications of screenings shall coincide with the line between designated traffic lines. All longitudinal joints shall be overlapped for complete coverage. The overlap shall not exceed 4 inches (100 mm). At longitudinal joints, the edge shall be broomed back and blended so there are no gaps and the elevations are the same, free from ridges and depressions.

The application of asphalt rubber binder to areas not accessible with the distributor bar on the truck shall be accomplished by using pressurized hand wands or other means approved by the Engineer.

Application of asphalt rubber binder shall be discontinued sufficiently early in the workday to permit completion of initial sweeping prior to the termination of traffic control.

302-10.2 Screenings. Following the application of asphalt rubber binder, screenings conforming to 200-1.2.2.3 shall be placed over all areas receiving asphalt rubber. Screenings shall be applied (within a maximum of 15 minutes) at a temperature between 260°F (127°C) minimum to 325°F (163°C) maximum at a rate of 28 to 40 pounds per square yard (15 to 22 kg/m²) as directed by the Engineer. Stockpiling of screenings after preheating and precoating with paving asphalt will not be permitted.

The Contractor shall prevent any vehicle, including construction equipment, from driving on the uncovered asphalt rubber. Screenings shall be placed with a self-propelled aggregate-spreading machine that can be adjusted to accurately spread the specified amounts per square yard (m²). Trucks for hauling screening material shall conform to 302-2.3.

Initial rolling shall commence within 90 seconds following the placement of screenings. Rolling shall be accomplished by 3 self-propelled, pneumatic-tired rollers meeting the requirements of 302-5.6.1 except that the tires shall be inflated to 100 pounds per square inch (690 kPa). The operating weight of each roller shall be a minimum of 16,000 pounds (7200 kg). If in the opinion of the Engineer, complete coverage may be provided by 2 rollers in one pass, then 2 pneumatic-tired rollers will be sufficient. The initial rolling equipment shall maintain a distance of not more than 200 feet (60 m) behind the cover-aggregate spreader on the first pass. There shall be at least 4 complete coverages (single pass in one direction) by the pneumatic-tired rollers before final roller coverage. A steel-drum roller weighing 8 tons (7.2 tonnes) minimum to 10 tons (9.1 tonnes) maximum shall complete the final roller coverage.

Sweeping shall be a multi-step operation following final rolling of the aggregate. A power broom shall be used to remove loose material without dislodging aggregate set in the asphalt rubber. The initial sweeping shall be a light brooming on the same day as ARAM placement. The ARAM shall be

maintained free of loose screenings for a minimum of 5 Working Days following placement. During this period, the surface shall be swept as necessary to remove any loose cover material as directed by the Engineer. Final sweeping shall be done and all loose aggregate shall be removed prior to acceptance. The sweeping operations shall be accomplished without the use of gutter brooms or steel-tined brooms.

Immediately upon opening the street to traffic, the Contractor shall start removing loose aggregate from parkways, sidewalks, and intersecting streets. Both operations shall continue until all excess or loose aggregate is removed from the roadway surface and abutting adjacent areas.

At the option of the Engineer, rock dust blotter material shall be applied immediately after the initial pass of the rollers or after sweeping, but prior to opening to traffic, to prevent bleeding and pickup of the asphalt rubber material. Rock dust blotter conforming to 200-1.2 shall be uniformly applied using a mechanical spreader at a rate of 2 pounds per square yard (1.1 kg/m²) minimum to 4 pounds per square yard (2.2 kg/m²) maximum. If the ARAM is to be used as a finished surface, a flush coat shall be used.

The Contractor shall protect all existing manhole, valve, survey monument, and other miscellaneous frames and covers. The Contractor shall cooperate with the owners of any frames and covers and shall cover and completely protect them with heavy roofing paper or other suitable material. Petroleum-based release agents shall not be used for this purpose.

302-10.3 Flush Coat. If required a flush coat shall be applied. This work shall consist of an application of fog seal coat and rock dust blotter material to the surface of ARAM.

Flush coat shall be applied to the ARAM immediately after removal of excess screenings following initial brooming of the ARAM and prior to opening the lane to uncontrolled public traffic, as directed by the Engineer.

Asphaltic emulsion (fog seal coat) shall be applied to the surface of the ARAM and shall be grade CSS1 or CSS1H, per 203-3, unless otherwise ordered by the Engineer.

The application rate of the fog seal coat (asphaltic emulsion and an equal amount of water) shall be such that the diluted asphaltic emulsion will be spread at a rate of 0.06 gallons per square yard (0.27 L/m²) minimum to 0.12 gallons per square yard (0.54 L/m²) maximum. The exact rate of application will be determined by the Engineer.

During fog seal coat operations the surface upon which an ARAM is being applied shall be closed to public traffic. Care shall be taken to avoid tracking fog seal coat material onto existing pavement surfaces beyond the limits of construction.

302-10.4 Public Convenience and Traffic Control. The Contractor shall prohibit traffic on the street until the initial sweeping is complete. Prior to opening the streets to traffic, "Loose Gravel," C6 signs, and appropriate speed-reduction signs conforming to local, State, and Federal regulations shall be posted and maintained by the Contractor. These signs shall remain in place until there is no further dislodging of the cover aggregate.

302-10.5 Measurement and Payment. ARAM including asphalt rubber and cover aggregate will be paid for at the Contract Unit Price per square yard (m²). Unless otherwise specified, such price shall include full compensation for pavement preparation, furnishing and placing materials required, including rock dust blotter, sweeping, and incidentals needed to complete the work in place.

The Contractor shall include in the Contract Unit Price for ARAM the full cost of applying rock dust blotter to all areas of ARAM, as directed by the Engineer.

The Contractor shall include in the Contract Unit Price for ARAM the full cost of applying a flush coat (if required) to all areas of ARAM, as directed by the Engineer.

314-4.4 Thermoplastic Traffic Striping and Pavement Markings.

314-4.4.1 General. The work shall consist of applying thermoplastic traffic striping and pavement markings at the locations shown on the Plans and Standard Plans. Glass beads shall conform to 214-3. Thermoplastic material shall conform to 214-5.

Thermoplastic traffic striping and pavement markings shall only be applied to dry pavement surfaces with a surface temperature above 50° F (10° C) unless otherwise specified in the Special Provisions. The wind shall be calm enough that no blowing dirt is deposited on the pavement surface.

314-4.4.2 Surface Preparation. Before applying thermoplastic material, the existing pavement surface shall be mechanically wire brushed to remove all dirt and contaminants. New Portland cement concrete pavement shall be mechanically wire brushed or abrasive blast-cleaned to remove all laitance and curing compound.

314-4.4.3 Application Equipment. Application equipment shall be approved by the Engineer prior to use. Pre-heaters with mixers having a 360-degree rotation shall be used to preheat thermoplastic material before it is applied.

Application equipment shall be capable of:

- a) utilizing either the spray or extrusion methods;
- b) applications that dry to “no pick up” in accordance with ASTM D711; and
- c) producing smooth, continuous lines having sharp dimensions.

Thermoplastic pavement markings shall be applied with equipment and stencils specifically designed and constructed for that purpose.

314-4.4.4 Application. A primer, of the type recommended by the manufacturer of the thermoplastic material, shall be applied to asphalt concrete surfaces over 6 months old and to all Portland cement concrete surfaces. The primer shall be applied immediately in advance of, but concurrent with, the application of thermoplastic material. The primer shall be applied at the rate recommended by the manufacturer and shall not be thinned.

Thermoplastic material shall be applied at a temperature between 400°F and 425°F (200° C and 218° C), unless a different temperature is recommended by the manufacturer. Thermoplastic material shall be applied in a single layer. The pavement surface to which the thermoplastic material is applied shall be completely coated by the material and the voids in the pavement surface shall be filled.

Unless otherwise specified in the Special Provisions, thermoplastic material for traffic striping shall be applied at a minimum thickness of 60 mils (1,500 µm). Thermoplastic material for pavement markings shall be applied at a thickness of 100 to 150 mils (2,500 µm to 3,800 µm).

Glass beads conforming to 214-3 shall be mechanically applied to the surface of the molten thermoplastic material at a rate of not less than 8 pounds per 100 square feet (0.39 kg/m²). The amount of glass beads applied shall be measured by inserting a calibrated rod into the glass bead tank.

314-4.4.5 Measurement. Thermoplastic traffic striping will be measured by the linear foot (m) along the line of the traffic stripes, without deductions for gaps in broken traffic stripes. A double traffic stripe, consisting of 2, 4-inch (100 mm) wide, yellow stripes, will be measured as 2 traffic stripes.

Thermoplastic pavement markings will be measured by the square foot (m²) for the actual area covered or by the lump sum.

314-4.4.6 Payment. Payment for thermoplastic traffic striping will be made at the Contract Unit Price per linear foot (m) for each width and pattern, as specified in the Proposal.

Payment for thermoplastic pavement markings will be made at the Contract Unit Price per square foot (m²).

No separate payment will be made for establishing alignment for stripes and layout work.

314-4.5 Tolerances and Appearance. Traffic striping shall not vary more than 1/2 inch in 50 feet (80 mm/100 m) from the specified alignment.

Straight stripes deviating more than 1/2 inch in 50 feet (80 mm/100 m) shall be obliterated by sandblasting and the markings corrected. When existing traffic striping and pavement markings are to be repainted, they shall be repainted to completely cover the old markings within 1/4 inch (6 mm). Stripe repainting shall be retraced within a longitudinal tolerance of 6 inches (150 mm) at the end of each stripe. Abrupt breaks in striping alignment will not be allowed. The striping shall be a continuous operation except where crossovers are required to complete painted medians.

Drips, overspray, improper markings, paint and thermoplastic material tracked by traffic shall be immediately removed, at the Contractor's expense, from the pavement surface by methods approved by the Engineer.

Completed traffic stripes shall have clean and well-defined edges without running or deformation, be uniform, be straight on tangent alignments and be a true arc on curved alignments. The widths of completed traffic stripes shall not deviate more than 1/4 inch (6 mm) on tangent nor more than 1/2 inch (12.5 mm) on curves from the width shown on the Standard Plans. Broken traffic stripes shall also conform to the following:

- a) The lengths of the gaps and individual stripes that form broken traffic stripes shall not deviate more than 2 inches (50 mm) from the lengths shown on the Standard Plans.
- b) The lengths of the gaps and individual stripes shall be of such uniformity throughout the entire length of the broken traffic stripes that a striping machine will be able to repeat the pattern and superimpose additional stripes upon the traffic stripe being applied.

Completed curb and pavement markings shall have clean and well-defined edges without running or deformation and conform to the dimensions shown on the Standard Plans, except that minor variations may be accepted by the Engineer.

314-4.6 Protection from Damage. Newly placed traffic stripes and curb and pavement markings shall be protected from damage by public traffic or other causes until the paint is thoroughly dry or the thermoplastic material has sufficiently hardened. All adjacent surfaces shall be protected from disfiguration by spatter, splashes, spillage, and dripping of paint or other material.

314-5 PAVEMENT MARKERS.

314-5.1 General. The work shall consist of applying pavement markers conforming to 214-7 to the existing pavement surface at the locations shown on the Plans.

314-5.2 Adhesives.

314-5.2.1 General. Pavement markers shall be cemented to the pavement with rapid-set epoxy adhesive conforming to 214-7.2.2 or hot-melt bituminous adhesive conforming to 214-7.3 unless otherwise specified in the Special Provisions.

In areas of new construction where the pavement markers are protected from traffic, including the Contractor's vehicles, standard-set epoxy adhesive conforming to 215-5.2.5 may be used. Pavement markers applied with standard-set epoxy adhesive shall be protected from traffic for at least 3 hours after placement when the pavement surface temperature is 55°F (13° C) or above, for at least 24 hours when the pavement surface temperature is between 40°F and 55°F (4°C and 13° C), and for at least 48 hours when the pavement surface temperature is 40°F (4°C) or below. The Engineer will determine when the adhesive has set sufficiently to bear traffic.

Regardless of the type of adhesive used, pavement markers shall not be placed when the pavement is not surface dry.

314-5.2.2 Epoxy Adhesives.

314-5.2.2.1 General. Pavement markers shall not be placed using epoxy adhesives when either the pavement or the atmospheric temperature is 32°F (0°C) or less. Epoxy adhesives shall not be used to apply non-reflective plastic pavement markers.

314- 5.2.2.2 Mixing.

- a) **General.** Automatic mixing equipment shall use positive displacement pumps capable of metering the 2 components in the specified ratio to within ± 5 percent by volume of either component. At the beginning of each working day when directed by the Engineer, the ratio of the 2 components shall be checked by the Contractor in the presence of the Engineer. This check shall be made by disconnecting the mixing heads, or using suitable bypass valves, and filling 2 suitable containers with the unmixed components. The mixing equipment shall mix the 2 components until there is no trace of black or white streaks in the mixed epoxy adhesive. Voids in a cured, undisturbed sample of the mixed epoxy adhesive obtained from the extrusion nozzle shall not exceed 4 percent.
- b) **Rapid-Set Epoxy Adhesives.** Rapid-set type epoxy adhesives shall not be mixed by hand. Rapid-set epoxy adhesives shall be mixed by a 2-component-type automatic mixing and extrusion apparatus. When machine mixing standard-set epoxy adhesive or rapid-set epoxy adhesive, pavement markers shall be placed within 60 seconds after the epoxy adhesive has been mixed and extruded and no further movement of the marker will be allowed. In addition, the time between when the components are pumped into the mixing head and when the mixed epoxy adhesive is in place on the pavement, and not subject to further movement, shall not exceed 90 seconds. Mixed epoxy adhesives shall not remain in the mixing head for more than 45 seconds. Epoxy adhesive remaining in the mixing head longer than this period shall be disposed of.
- c) **Standard-Set Epoxy Adhesives.** When hand mixing standard-set epoxy adhesives, not more than 1 quart shall be mixed at a time, and the pavement markers shall be aligned and pressed into place within 5 minutes after beginning mixing operations. A mixed batch which becomes so viscous that the adhesive cannot be readily extruded from under the marker upon application of slight pressure shall not be used.

314-5.2.3 Hot-Melt Bituminous Adhesives. Pavement markers shall not be placed using hot-melt bituminous adhesives when the pavement surface or atmospheric temperature is 50°F (10°C) or less.

Hot-melt bituminous adhesives shall be heated indirectly in an applicator with continuous agitation or recirculation. Hot-melt bituminous adhesives shall not be heated above the maximum safe heating temperature recommended by the manufacturer and shall not be applied at temperatures greater than 425°F (210°C) nor less than 375°F (190°C).

314-5.3 Surface Preparation. The existing pavement surface shall be free from dirt, curing compound, grease, oil, moisture, loose or unsound layers, paint and any other material that would adversely affect the bond of the adhesive. Cleaning shall be done by blast cleaning on all surfaces regardless of age or type, except that blast cleaning of clean, new asphalt concrete and clean, new seal coat surfaces will not be required when hot-melt bituminous adhesives are used.

314-5.4 Placement. Reflective markers shall be placed in such a manner that the reflective face of the marker is perpendicular to a line parallel to the roadway centerline. Pavement markers shall not be placed over longitudinal or transverse joints of the pavement surface. Pavement markers shall not be placed on new asphalt concrete pavement or seal coats until they have been open to public traffic for a period of not less than 7 Days when hot-melt bituminous adhesive is used, or not less than 14 Days when epoxy adhesive is used.

Adhesives shall be placed uniformly on the pavement surface or on the bottom of the marker in a quantity sufficient to result in complete coverage of the area of contact with the pavement marker with no voids present and with a slight excess after the marker has been pressed in place. Pavement markers shall be placed in position and pressure applied until firm contact is made with the pavement. When hot-melt bituminous adhesive is used, the markers shall be placed immediately after application of the adhesive. Excess adhesive around the edge of the marker, excess adhesive on the pavement, and adhesive on the exposed surfaces of the markers shall be immediately removed. Markers shall be protected against impact until the adhesive has hardened to the degree designated by the Engineer.

314-5.5 Pavement Recesses. Pavement recesses shall be located along the line or lines of new or existing stripes.

Pavement recesses shall be constructed in new or existing pavement. The method of recess construction shall be selected by the Contractor. Equipment for recess construction shall be power-operated, mechanical and capable of removing the pavement to the dimensions shown on the Plans or Standard Plans without damaging the underlying pavement.

Residue shall be removed from the roadbed by use of vacuum equipment. Residue from the removal operations shall neither flow across the pavement nor into gutters or other drainage facilities. Residue shall be removed from the pavement surface before the residue is blown by action of traffic or wind.

Pavement recesses shall not be constructed on existing structures.

314-5.6 Measurement. Retroreflective and non-reflective pavement markers will be measured by the number of each type of pavement marker placed on the pavement surface. Retroreflective pavement markers placed in a pavement recess will be measured by the number of each type of pavement marker.

314-5.7 Payment. Payment for retroreflective and non-reflective pavement markers placed on the pavement surface will be made at the Contract Unit Price for each type of pavement marker placed on the pavement surface.

Payment for retroreflective pavement markers placed in pavement recesses will be made at the Contract Unit Price for each pavement marker placed in a pavement recess.

SECTION 404 – COLD MILLING

404-1 GENERAL. The type of pavement and depth to be cold milled shall be as shown on the Plans or specified in the Special Provisions. The presence of pavement fabric or steel reinforcement within the depth to be cold milled shall be as shown on the Plans. The surface after cold milling shall be uniformly grooved or ridged. The outside lines of the milled pavement shall be neat and uniform. The Contractor shall remove existing asphalt concrete overlay or slurry seal material within one foot of the edge of concrete gutters adjacent to any area to be cold milled. The removal procedure and equipment to be used shall be approved by the Engineer.

The milled pavement shall be true to grade and cross section. When the straightedge specified in 302-5.12 is laid on the finished surface parallel to the centerline of the roadway, the surface shall not vary from the edge of the straightedge more than 3/8 inch (10 mm) at any point, except at intersections or at changes of grade. Any areas that are not within tolerance shall be brought to grade within one Working Day following initial cold milling.

Cold milling operations shall be performed without damage to the remaining pavement. Whenever cold milling is adjacent to existing concrete curbs, gutters or pavement, the Contractor shall protect these improvements from damage. Concrete curbs, gutters or pavement damaged during cold milling operations shall be repaired as directed by the Engineer. Replaced sections of concrete curb, gutter or pavement shall be a minimum of 5 feet (1.5 m) in length or to the next joint.

404-2 MILLING MACHINES. Milling machines shall be specifically designed and constructed for cold milling of asphalt concrete, concrete, or composite pavement.

404-2.1 General. Milling machines shall conform to the following:

- a) The cutting drum shall be a minimum of 60 inches (1500 mm) wide, except for those mounted on a skid-steer loader, and shall be equipped with carbide-tipped cutting teeth placed in a variable pattern to produce the desired finish.
- b) Be self-propelled and capable of removing the pavement to the depth shown on the Plans.

- c) Be equipped with a conveyor system that will immediately convey the milled material into a transport vehicle for disposal as specified in the Special Provisions.
- d) Be capable of spraying water at the cutting drum to minimize dust.
- e) Be designed so that the operator can observe the milling operation, at all times, without leaving the controls.
- f) Be adjustable for slope and depth.
- g) Be capable of milling, in one pass, to the maximum depth recommended by the manufacturer without producing fumes or smoke.

404-2.2 Milling to Specified Elevations. Milling machines used for milling to specified elevation shall conform to 404-2.1 and the following:

- a) Be equipped with automatic grade controls that reference the existing pavement elevations or independent grade references.

404-2.3 Profile Milling. Milling machines used for profile milling shall conform to 404-2.1 and the following:

- a) Be equipped with a minimum 20-foot (6 m) paving ski with spring loaded feet attached to the bottom at not more than 18-inch (0.5 m) increments. The upper portion of the ski shall be one-piece and manufactured such that the ski does not flex or bend by more than 3/16 inch (5 mm) when supported off of the surface of the pavement by an attachment located at the ski's longitudinal center of gravity. The grade control system of the milling machine shall be referenced to the center of the ski.

404-2.4 Full-Depth Milling. Milling machines used for full-depth milling shall conform to 404-2.1 and the following:

- a) Be capable of milling to a minimum depth of 10 inches (250 mm) in a single pass.

The Contractor shall provide smaller machines if required to cold mill areas that are inaccessible to larger machines.

404-3 COLD MILLING TO SPECIFIED ELEVATIONS. Milling to specified elevations is the controlled removal of a portion of the existing pavement and underlying base or subgrade material. The finished elevations and depth of removal shall be as shown on the Plans.

Independent grade references shall be those required to achieve the specified elevations shown on the Plans.

404-4 PROFILE MILLING. Profile milling is the controlled removal of a portion of the existing pavement to a nominal depth using longitudinal grade controls to remove surface irregularities in the pavement and improve ride ability. The grade shall be as shown on the Plans.

During profile milling operations, the center of the ski shall be on a line coincident with the transverse centerline of the milling machine's cutting drum. A ski shall be attached to each side of the milling machine cutting drum during the first pass, and on one side of the milling machine on subsequent, adjacent passes with a joint matching grade control on the other side. The resultant milled surface shall not deviate from the grade shown on the Plans, using the straightedge specified in 302-5.12, by more than 1/4 inch (6 mm) at any point.

404-5 FULL-DEPTH MILLING. Full depth milling is the removal of the full depth of the existing pavement as shown on the Plans or specified in the Special Provisions. When full-depth milling is specified, the Contractor shall continuously control the depth of milling to stay no more than 1/2 inch (12.5 mm) below the full depth of the existing pavement. In areas of resurfaced trenches, individual excavations or bore holes, the required depth of milling shall be the same as that of the adjacent

pavement. The Contractor shall remove existing asphalt concrete overlay from gutters adjacent to any area specified to be cold milled, as directed by the Engineer.

404-6 COLD MILLING OF COMPOSITE PAVEMENT. Composite pavement consists of underlying concrete pavement which has been overlaid with asphalt concrete pavement. The thickness of each existing pavement material shall be as shown on the Plans. The area and depth to be cold milled shall be as shown on the Plans.

404-7 WORK SITE MAINTENANCE. Work site maintenance shall conform to 3-12. A motorized street sweeper shall follow within 50 feet (15 m) of the cold milling machine unless otherwise approved by the Engineer.

404-8 DISPOSAL OF MILLINGS. Unless otherwise specified, millings shall be considered the property of the Contractor and shall be disposed of off the Work site by the Contractor.

404-9 TRAFFIC SIGNAL LOOP DETECTORS. The Contractor shall not mill within 12 inches (300 mm) of any existing loop detectors that are shown to be protected in place on the Plans or in the Special Provisions. Traffic signal loop detectors that were shown to be protected in place but are damaged or removed shall be replaced in conformance with 400-1, 700, and 701.

404-10 PAVEMENT TRANSITIONS. Structures and vertical joints within the cold-milled areas that are transverse to through traffic shall be ramped in conformance with 302-5.9.2 and 306-1.5.1 as shown on the Plans or specified in the Special Provisions. Ramps shall be constructed the same day as the existing pavement is cold milled and removed prior to placement of the permanent paving pavement.

404-11 MEASUREMENT. The quantity of each type of pavement to be cold milled (asphalt concrete, concrete, or composite) will be measured separately. Cold milling will be measured by the linear foot (meter) along the edge of the transverse joint lines, adjacent curb, gutter, or cross gutter, or by the square foot (square meter) for each thickness or range of thicknesses to be removed as shown in the Bid.

404-12 PAYMENT. The Contract Unit Price for cold milling each type of pavement shall include cold milling, removal of asphalt concrete and slurry seal material from adjacent concrete gutters, construction and removal of pavement transitions, disposal of millings, and all other necessary work.

Payment for replacement of inductive loop detectors not shown on the Plans to be protected in place will be made in accordance with 700-17.6.3.

PART IV - CONSTRUCTION METHODS AND TECHNICAL SPECIFICATIONS

All CONSTRUCTION MATERIALS AND CONSTRUCTION METHODS shall be according to the latest edition of the State of California Department of Transportation (CALTRANS) Standard Specifications, CALTRANS Standard Drawings / Details, and according to the CONSTRUCTION PROJECT PLANS called for in APPENDIX C.

All as provided in part 3 of the Standard Specifications, except as otherwise provided below:

TRAFFIC CONTROL

All traffic control for the project shall be in accordance with the Special Provisions and the latest edition of the California Manual on Uniform Traffic Control Devices (California MUTCD) and the latest edition of the "Construction Area Traffic Control Devices" of CALTRANS Standard Specifications.

SUBMITTALS

The Contractor shall submit eight (8) copies of the following shop drawings to the Engineer for review and approval at least ten (10) days before drawings will be required for ordering materials and commencing the work. Each shop drawing and sample submission shall bear a stamp or specific written indication that the Contractor has satisfied the Contractor's review and approval of that submission. The Contractor shall provide specific written notice of any variations that the shop drawings may have from the requirements of the Contract Documents.

Within 8 calendar days of receipt of shop drawings, the Engineer will return two (2) copies of each drawing to the Contractor with his comments thereon. If so indicated, the Contractor shall make corrections required by the Engineer and shall return the required number of corrected copies of Shop Drawings and submit as required new samples for review and approval. The Engineer's review and approval of Shop Drawings or samples shall not relieve the Contractor from responsibility for any variation from the requirements of the Contract Documents. Shop drawings shall be submitted but not limited to the following items:

- A. The Contractor shall submit a tunnel construction schedule, which includes casing installation, carrier pipe installation, approach trench backfills, and receiving pit backfill.
- B. The Contractor shall submit manufacturer's specification and information and regarding to all materials to be used on the work site.

1.0 GENERAL

The latest Caltrans Standard Specifications shall apply to the work to be completed within the Caltrans Right-of-Way.

The Technical Specifications for the work to be completed shall comply with the City of Imperial Standard Specifications and Details, the latest Caltrans Standard Specifications 2010, and the Specifications as required in this Technical Conditions Section. Major material component standard specifications have been included in these Technical Specifications. Some of the major material component standard specifications refer to other Caltrans Standard Specifications, 2010. These "referred to" specifications have not been included in this Technical Specifications section. It shall be necessary to refer to the Caltrans Standard Specifications, 2010 document to review the "referred to" sections. If pertinent specifications are not included within these Technical Specifications, refer to Caltrans Standard Specifications, 2010.

If there is any conflict between the Specifications, the most stringent Specification shall prevail.

Payment of each work item shall be based on the item of work and the unit of measure shown in the bid item list.

2.0 EXISTING FACILITIES

Performing work on existing facilities such as demolition, cold planning, disposal, etc. shall conform to the provisions in Sections 15-1 through 15-3 of Section 15, "Existing Facilities," of the Standard Specifications.

3.0 PRESERVATION/PERPETUATION OF SURVEY MONUMENTS

The Contractor shall be responsible for protecting all existing horizontal and vertical survey controls, monuments, ties and benchmarks located within the limits of the project. If any of the above require any removal, relocating or resetting, the Contractor shall, prior to any construction work and under the supervision of a California-licensed surveyor or pre-1972 licensed civil engineer, establish sufficient temporary ties and bench marks to enable the points to be reset by the Contractor after completion of construction.

Any ties, monuments and benchmarks disturbed during construction shall be reset after construction per City of Imperial or County of imperial standards, as applicable, and the tie notes submitted to the City of Imperial or County of Imperial on 8-1/2" x 11" note paper. The Contractor and its sureties shall be liable for, at its expense, any resurvey required due to its negligence in protecting existing ties, monuments, benchmarks or any such horizontal and vertical controls.

The Contractor shall comply with The Land Surveyors Acts #9771 (Record of Surveys-Monumentation) and #8773 (Corner Records-Records of Survey for "Lost Corners").

SECTION 300 – EARTHWORK

300-1 CLEARING AND GRUBBING.

300-1.3 Removal & Disposal of Materials. Clearing and grubbing shall be performed wherever construction is to be performed or as shown on the plans. Clearing and grubbing includes, but not limited to, abandonment of conduits and structures, demolition of structures as required and removal of PCC curb and gutter, AC pavement and miscellaneous structures.

Service systems, such as lawn sprinklers, shall be cut and sealed at the property lines as required by the Engineer.

Traffic signs shall be salvaged and delivered to the City of Imperial. Traffic signs and stripping covered or removed by the contractor during construction shall be re-established.

Manhole rings and covers, water and gas valves, shall be adjusted to finished grade after paving operation.

be The grindings derived from the construction activity listed under Item 17 and Item 21 of the Proposal Bid Sheet, may be disposed and "stockpiled" either of both of the following locations: City of Imperial Shop Site located at 14th and "O" Street -entering on "O" Street or at the City of Imperial Water Plant located at 201 South "B" Street.

300-1.5 Street Sweeping. All streets shall be swept clean prior to improvement.

SECTION 301 – TREATED SOIL, SUBGRADE PREPARATION & PLACEMENT OF BASE MATERIALS

301-1 SUB-GRADE PREPARATION. The preparation of natural, filled, or excavated roadbed material prior to the placement of sub-base or base material, pavement, curbs and gutters, driveways, sidewalks, or other roadway structures.

301-1.2 Preparation of Sub-grade. Scarifying and cultivating will be required for dry soils which are impervious to the penetration of water, for soils that contain an excessive amount of moisture which may result in unstable foundations, for soils that are nonuniform in character which may result in nonuniform relative compactions and subsequent differential settlements of finished surfaces, or when pavement is to be placed directly on the roadbed material. Unsuitable material found below the processing depth for sub-grade specified herein shall be treated in accordance with 300-2.2, Unsuitable Material.

301-1.4 Sub-grade Tolerances. Sub-grade for pavement, sidewalks, curb & gutter, driveways and roadways shall not vary more that 6mm (0.02 foot) from the

specified grade and cross section. Sub-grade for sub-base or base material shall not vary more than 12mm (0.04 foot) from the specified grade and cross section. Variations within the above specified tolerances should be compensating so that the average grade and cross section specified are met.

301-1.6 Adjusting of Manhole Frame and Cover Sets to Grade. Utility, sewer & storm drain manholes within an area to be paved or graded will be set to finished grade. Manholes in asphalt concrete pavement shall be set to finish grade in accordance with provisions of 302-5.8. In case of Portland cement concrete pavement, manholes shall be set to finish grade before paving.

301-1.7 Payment. Payment for preparing a sub-grade will be considered as included in the item of work for which the sub-grade is prepared. Payment for adjusting manholes will be made at the Contract Unit Price for each manhole adjusted.

301-2 UNTREATED BASE. Untreated base for pavement, curb, gutter, and similar types of improvements are to be constructed of material as described in 200-2.

301-2.4 Measurement and Payment. Quantities of base will be measured as shown in the Bid Sheet.

SECTION 302 - ROADWAY SURFACING

302-5 ASPHALT CONCRETE PAYMENT.

302-5.9 Measurement and Payment. Asphalt Concrete Pavement will be paid for at the contract unit price per square foot.

1- Asphalt concrete aggregate shall conform with Section 200-2-1 for C1-AR-4000 maximum aggregate size of Standard Specifications.

302-6 PORTLAND CEMENT CONCRETE PAVEMENT. Unless otherwise specified, Portland cement concrete pavement is to be constructed of concrete prepared as described in 201-1.

302-6.2 Forms and Headers. Forms and headers are to be made of either wood or metal. They shall be set plumb and true to line and grade, with the upper edge thereof set to the grade of the pavement to be constructed; and shall be rigidly installed on a true alignment and so maintained for a distance in advance of placing the pavement to provide for at least a 1-day run of concrete. Forms and headers must be removed before the work will be accepted.

- 302-6.3 Placing Concrete. Concrete is to be placed on a sub-grade that has been sufficiently dampened to ensure that no moisture will be absorbed from fresh concrete.
- 302-6.4 Finishing. The finished surface is to be finished to grade and cross section.
- 302-6.8 Measurement and Payment. Pavement concrete payments are to be made on a square foot basis as shown on the Bid Sheet.

SECTION 303 – CONCRETE AND MASONRY CONSTRUCTION

- 303-1 CONCRETE STRUCTURES. Concrete catch basins shall be constructed in conformity with the Plans and Specifications. Concrete for use in work constructed in this section shall conform to the requirements of 201-1.
- 303-1.11 Payment. Payment for concrete structures such as catch basins will be based on the unit price.
- 303-5 CONCRETE CURBS, WALKS, GUTTERS, CROSS GUTTERS, ALLEY INTERSECTIONS, ACCESS RAMPS, AND DRIVEWAYS. Concrete curbs, sidewalks, gutters, cross gutters, handicap ramps and driveways are all to be constructed of Portland cement concrete of the class and other requirements prescribed in 201-1.
- 303-5.9 Measurement and Payment. Payment and measurement is to be determined as shown in on the Bid Sheet.

MISCELLANEOUS SPECIFICATIONS

TRAFFIC CONTROL

All traffic control for the project shall be in accordance with the Special Provisions and the latest edition of the California Manual on Uniform Traffic Control Devices (California MUTCD) and the latest edition of the "Construction Area Traffic Control Devices" of CALTRANS Standard Specifications.

SUBMITTALS

The Contractor shall submit eight (8) copies of the following shop drawings to the Engineer for review and approval at least ten (10) days before drawings will be required for ordering materials and commencing the work. Each shop drawing and sample submission shall bear a stamp or specific written indication that the Contractor has satisfied the Contractor's review and approval of that submission. The Contractor shall provide specific written notice of any variations that the shop drawings may have from the requirements of the Contract Documents.

Within 8 calendar days of receipt of shop drawings, the Engineer will return two (2) copies of each drawing to the Contractor with his comments thereon. If so indicated, the Contractor shall make corrections required by the Engineer and shall return the required number of corrected copies of Shop Drawings and submit as required new samples for review and approval. The Engineer's review and approval of Shop Drawings or samples shall not relieve the Contractor from responsibility for any variation from the requirements of the Contract Documents. Shop drawings shall be submitted but not limited to the following items:

- A. The Contractor shall submit manufacturer's mill specification sheet listing

diameter, thickness, and class of steel used in making the jacked casing, and the mil certification.

- B. The Contractor shall submit drawings showing the location of approach trench, jacking pit, tunnel and receiving pit, and joint type for both casing and carrier pipe.
- C. The Contractor shall submit a tunnel construction schedule, which includes casing installation, carrier pipe installation, approach trench backfill, and receiving pit backfill.
- D. The Contractor shall submit shoring plans for review to the City Engineer. Shoring plans must be prepared and approved by a registered Civil or Structural Engineer.
- E. The Contractor shall submit drawings of the precast reinforced concrete manholes and appurtenances, including structural calculations prepared and approved by a Registered Civil or Structural Engineer.
- F. The Contractor shall submit manufacturer's specification and information and regarding to all materials to be used on the work site.

4.0 SUBBASE PREPARATION

The native material beneath P.C.C. concrete and asphalt concrete infrastructure including but not limited to P.C.C. driveway entrances, P.C.C. sidewalks, P.C.C. ribbon gutters, cross-gutter, P.C.C. curb and gutter, P.C.C. sidewalk, P.C.C. spandrels, P.C.C. transition areas and A.C. pavement shall be excavated to ± 0.05 feet of design subbase grade.

The design subbase grade shall be field verified and approved by the construction manager or City Inspector prior to the placement of granular sand fill, crusher fines or class 2 base. The construction manager/City Inspector shall determine the number and location of points to check for the subbase grade elevation compliance. prior to the construction manager's inspection of the subbase grade the contractor shall establish blue top hubs (stakes set to design subbase grade) 50 feet on center along street sections.

5.0 SUBGRADE PREPARATION

The class 2 base, sand or crusher fines beneath AC pavement and concrete infrastructure shall be placed to within ± 0.02 feet of design subgrade prior to the placement of AC pavement or P.C.C. concrete. The construction manager or City Inspector shall field verify the subgrade elevations in the field prior to the placement of class 2 base, granular sand material or crusher fines. Placement of P.C.C. concrete or AC pavement shall not be allowed until the construction manager or City Inspector has approved the subgrade design grade

6.0 **SAND**

Clean granular sand free of clay, shale and deleterious material shall be delivered to the site and placed as noted on the plans. Sand shall be compacted to 90 percent of maximum density at optimum water content per ASTM D-1557 unless otherwise noted on the plans. The material shall conform to a sand equivalent of 30 or greater. The maximum amount of material passing the number 200 sieve shall be 7 percent. The sand shall conform to the following gradation percentages:

<u>SIEVE SIZE</u>	<u>PERCENT PASSING</u>
3/8"	100
NO. 4	98-90
NO. 8	90-75
NO. 10	75-60
NO. 16	60-50
NO. 30	50-38
NO. 40	38-29
NO. 50	29-19
NO. 100	19-7
NO. 200	7-0

The contractor shall supply a five-gallon sample of sand material to the material testing laboratory within four (4) days after the notice to proceed is issued. The gradation, sand equivalent and maximum density of the sand material shall be determined. The test results shall be forwarded to the construction manager or City Inspector. The cost of testing shall be incurred by the contractor. The gradation of the granular sand shall be determined, and the test results forwarded to the construction manager or City Inspector prior to the delivery of the granular sand material to the construction site. Prior to the placement of sand, the native subbase grade shall be checked and approved by the construction manager or Inspector.

Crusher fines shall be allowed to be utilized in lieu of sand if approved by the City engineering department.

7.0 **CRUSHER FINES**

Crusher fines shall consist of decomposed granite indigenous to the imperial valley. Crusher fines utilized for this project shall conform to the following gradation requirements:

<u>SIEVE SIZE</u>	<u>PERCENT PASSING</u>
5/8"	100
NO. 4	80 – 100
NO. 8	50 - 85
NO. 30	30 - 50
NO. 200	4 - 15

The sand equivalent shall be 20 or greater.

8.0 CLASS 2 BASE

The class 2 base material shall conform to Caltrans standard specifications section 26, latest edition, for ¾ inch maximum base material. The gradation requirements are as follows:

<u>SIZE</u>	<u>PERCENT PASSING</u>
1 IN/25.00MM	100
¾ IN/19.00MM	87-100
#4/4.75MM	30-65
#30/600MM	5-35
#200/75.00MM	0-12

The sand equivalent shall be 25 or greater. An angular aggregate is to be used. Class 2 base material shall be compacted to 95 percent of maximum density according to ASTM D-1557, unless otherwise noted on the plans or details. The tolerance for the class 2 base between design subgrade elevation and actual subgrade elevation as constructed in the field shall be plus or minus 0.02 feet as referenced from the design subgrade. Prior to the placement of class 2 base the native subbase grade shall be checked and approved by the construction manager or City Inspector. The native subbase grade shall be within plus or minus 0.05 feet of native subbase design grade prior to the placement of class 2 base.

The contractor shall supply a five-gallon sample of the class 2 base to the material testing laboratory within four (4) days of the notice to proceed. The material shall be delivered to the testing laboratory to determine the maximum density, gradation, r-value, sand equivalent and durability index of the class 2 base. A copy of the test results shall be forwarded to the construction manager or City by the geotechnical consultant for review. The gradation of the class 2 base shall be determined, and the test results forwarded to the construction manager or City for approval prior to the delivery of the class 2 base material to the construction site. Class 2 base utilizing recycled materials shall be allowed in lieu of virgin class 2 base as long as the specifications meet the Caltrans standard specifications section 26.

9.0 P.C.C. CONCRETE

P.C.C. shall meet section 90-2 minor concrete of the latest Caltrans standard specifications.

P.C.C. concrete, utilized for but not limited to, curb and gutter, barrier curb, spandrels, cross-gutter, valley gutter, ribbon gutters, residential and commercial driveways, sidewalks and all other concrete infrastructure shall contain a minimum of 7 sacks of cement per cubic yard of concrete and attain 5,000 p.s.i. compressive strength after 28 days curing unless stated otherwise on the plans. The P.C.C. shall contain 1 ½ lbs. of polypropylene fiber per cubic yard. A concrete mix design is to be submitted to the construction manager or City representative within five (5) days after the issuance of the notice to proceed. New formwork shall be utilized in the construction of every concrete facility. The formwork shall be true to line and grade. The vertical flowline elevation tolerance shall be +/- 0.02 feet for design grade for slopes of 1.0% or greater, +/- 0.01 for design grade for slopes less than 1.0%. The

construction manager or City Inspector shall check the formwork for line and grade prior to the placement of concrete. The contractor shall notify the construction manager 72 hours prior to the required inspection. Exposed surfaces of concrete areas shall receive a double trowel finish. Weakened plane joints shall be placed every 8 lineal feet for ribbon gutter, cross gutter and valley gutter construction unless otherwise illustrated on the standard plans. Expansion joints shall be placed every 40 feet along curb and gutter, barrier curb, valley gutter and sidewalk construction unless otherwise illustrated on the standard plans. Installation of curb and gutter, valley gutter and cross-gutters shall begin at the lowest elevation and proceed uphill. A total of one (1) set of cylinders and one (1) slump test shall be required for every 50 cubic yards of concrete, except that a minimum of one (1) set of cylinders and slump test shall be required each day twenty (20) or more yards of concrete are placed at a project site. The maximum allowable slump shall be 4 inches. A set of cylinders shall be composed of three (3) cylinders. The first cylinder of a set shall be tested after seven (7) days curing. The second cylinder of a set shall be tested after 28 days curing. The third cylinder shall be held in reserve and tested if directed by the construction manager or City representative. The test results will be forwarded to the construction manager or City for review. The construction manager or City Inspector shall receive a concrete vendor slip for each truck load of concrete delivered to the project site.

Prior to the placement of concrete, the subgrade depth shall be inspected to ensure that the full depth of concrete, as noted on the plans, is attained. Excess fill material shall be removed as required by the construction manager or City Inspector. The form boards shall be checked for the proper elevation. Compaction tests on the subgrade shall have achieved the density requirements specified. The construction manager or City Inspector shall then allow the placement of concrete.

The concrete shall be screeded and floated. All edges shall be struck with a concrete edger. Weakened plane joints shall be established at right angles to the sidewalk edge as illustrated on the standard drawings. The weakened plane joints shall be 3/8 inch in width and 3/4 inch in depth. Expansion joints consisting of 1/2-inch-thick fiberboard material shall be placed across the full section of the P.C.C. sidewalk every 40 lineal feet, or as required by the standard plans. After the concrete surface has been floated and cured adequately, it shall receive a double trowel finish. The troweling shall be accomplished by hand with a steel trowel. The surface of the concrete shall receive a light broom finish after the surface is double troweled. The surface of the concrete shall be smooth and true to grade. Tolerance for the concrete surface shall be 1/8 inch in 10 lineal feet with maximum high and low variance not occurring in less than 20 feet. The contractor shall maintain the concrete surface moist or wet for a 24-hour period after the concrete is placed and finished troweled. Placement of burlap bags or used carpet over the concrete surface and a continuous application of water over the concrete surface will be required for a 24-hour period. After the 24-hour period, a concrete sealer shall be applied to all new P.C.C. concrete surfaces. The concrete surfaces shall be cleaned of all dirt and residue prior to the placement of the concrete sealer. Concrete shall not be placed after 10:00 a.m. on Fridays.

10.0 A.C. PAVEMENT

The asphalt concrete mix shall meet section 39 of the latest Caltrans standard specifications and the following requirements:

Aggregate base shall be 3/4-inch maximum, medium. The asphalt concrete shall conform with the following percentages:

<u>Sieve Size</u>	<u>Percent Passing</u>	<u>Limits of Proposed Gradation – X</u>
25.00mm	100	----
19.00mm	90 – 100	----
9.50mm	60 – 85	----
4.75mm	X +/- 8	49 – 54
2.36mm	X +/- 8	36 – 40
600.00mm	X +/- 8	18 – 21
75.00mm	0 – 11	----

In the table above, “x” is the gradation which the contractor proposes to furnish for specific sieve.

Asphalt binder shall be pg 70-10 in accordance with the approved A.C. mix design.

The asphalt concrete shall be type “A” as set forth in the State of California, Department of Transportation, Standard Specifications, Section 39, latest edition.

11.0 N/A

12.0 N/A

13.0 MANHOLE FRAMES AND COVERS

All manhole frames and covers, valve boxes and lids, and other similar existing utilities shall be raised to the grade of the finished pavement surface by the contractor. Manhole frames and covers, and similar utility covers shall be lowered a minimum of 3 inches below the design pavement surface prior to the installation of A.C. pavement. Manhole frames and covers, and other lids shall be raised after paving operations have occurred. 8-inch wide, 8-inch deep concrete collars shall be poured concentric with the outside of valve extension risers 3/8 inches below the finish pavement surface. A one (1) foot wide, one (1) foot deep concrete collar shall be poured concentric with the outside of all manhole frames and covers 3/8 inches below the surface of the pavement. Manhole frames and covers shall be raised with concrete grade rings 3/8 inches below the new street pavement surface elevation. The manhole frame and covers and valve extension risers and covers shall be raised 3/8 inches below the pavement grade after paving operations are complete.

14.0 STRIPING APPLICATION

14.1 DESCRIPTION

This item shall consist of the painting of markings and stripes on the surface of the A.C. pavement in accordance with the locations and requirements illustrated on the striping and signage plan. All painting of markings and

stripes shall conform to Caltrans standard plans and specifications, latest edition, unless noted otherwise.

14.2 MATERIALS

14.2.1 THERMOPLASTIC PAINT

Thermoplastic marking shall meet the requirements of the Caltrans Spec.# PTH-02ALKYD.

14.2.2 REFLECTIVE MEDIA

A glass sphere reflective media shall be required per section 214-6 of the standard specifications for public works construction, "Greenbook", 2018 edition.

14.3 CONSTRUCTION METHODS

14.3.1 WEATHER LIMITATIONS

The painting shall be performed only when the surface is dry, when the atmospheric temperature is above 60 degrees f., and when the weather is not foggy or windy.

14.3.2 EQUIPMENT

All equipment for the work shall be approved by the construction manager or City Inspector and shall include the apparatus necessary to properly clean the existing surface, a mechanical marking machine, and such auxiliary hand-painting equipment as may be necessary to satisfactorily complete the job. The mechanical marker shall be an atomizing spray-type marking machine suitable for application of traffic paint. It shall produce an even and uniform film thickness at the required coverage and shall be designated so as to apply markings of uniform cross sections and clear-cut edges without running or spattering.

14.3.3 PREPARATION OF SURFACE

Immediately before application of the paint, the pavement surface shall be dry and free from dirt, grease, oil, laitance, or other foreign material which would reduce the bond between the paint and the pavement. The area to be painted shall be cleaned by sweeping and blowing or by other methods as required to remove all dirt, laitance, and loose materials.

14.3.4 LAYOUT OF MARKINGS

The proposed markings shall be laid out in advance of the paint application according to the dimensions required by the plans and specifications or by Caltrans standards.

14.3.5 APPLICATION

Markings shall be applied at the locations and to the dimensions and spacing shown on the plans. Paint shall not be applied until the layout and condition of the surface have been approved by the construction manager or City Inspector. The paint shall be mixed in accordance with the manufacturer's instructions and applied to the pavement with a marking machine at a rate specified in the standard specifications for public works construction, "Greenbook", 2018 edition, section 214. The addition of thinner will not be permitted. The edges of the markings shall not vary from a straight line more than ¼ inch in 50 feet, and the dimensions shall be within a tolerance of plus or minus 2 percent. The contractor shall furnish certified test reports for the materials shipped to the project. The reports shall not be interpreted as a basis for final acceptance. The contractor shall notify the construction manager or City Inspector upon arrival of shipment of the paint to the job site. All emptied containers shall be returned to the paint storage area for checking by the construction manager or City Inspector. The containers shall not be removed from the project site or destroyed until authorized by the construction manager.

14.3.6 PROTECTION

After application of the paint, all markings shall be protected from damage until the paint is dry. All surfaces shall be protected from disfiguration by spatter, splashes, spillage or drippings of paint.

14.3.7 MATERIAL REQUIREMENTS

Rapid dry paint: the paint shall conform with the rapid dry paint specified in the standard specifications for public works construction, "Greenbook", 2018 edition, section 214.

15.0 TACK COAT (SS1H) APPLICATION

Tack coat application shall be in accordance with the Standard Specifications for Public Works Construction, the "Greenbooks" or as specified herein.

If the asphalt concrete pavement is being constructed directly upon an existing hard-surfaced pavement, a tack coat of PG 64-10 paving asphalt at an approximate rate of 0.05 gallon per square yard (0.25 L/m²) or SS-1h emulsified asphalt at an approximate rate of 0.05 to 0.10 gallon per square yard (0.25 to 0.45 L/m²) shall be uniformly applied upon the existing pavement preceding the tack coat is applied. To minimize public inconvenience, no greater area shall be treated in any one day than is planned to be covered by asphalt concrete during the same day, unless otherwise approved by the Construction Manager or City Inspector.

A similar tack coat shall be applied to the surface of any course, if the surface is such that a satisfactory bond cannot be obtained between it and a succeeding course.

The contact surfaces of all cold pavement joints, curbs, gutters, manholes, and the like shall be painted with either SS-1h emulsified asphalt or PG 64-10 paving asphalt per the application rate, as specified in the Caltrans Standard Specifications Section 39-1.09C, immediately before the adjoining asphalt concrete is placed.

Full compensation for furnishing all labor, materials, tools and equipment and for doing all the work involved in tack coat application shall be considered as included in the contract unit price paid per the tonnage of asphalt pavement installed and no additional compensation shall be allowed, therefore.

END OF SECTION

**Appendix A
CALIFORNIA STATE
GENERAL PREVAILING WAGE RATES**

**THE CONTRACTOR SHALL CHECK WITHIN 10 DAYS OF
THE BID OPENING THE LATEST WAGE RATES**

Appendix B

FEDERAL PREVAILING WAGE

**APPENDIX C
CONSTRUCTION PROJECT PLANS**

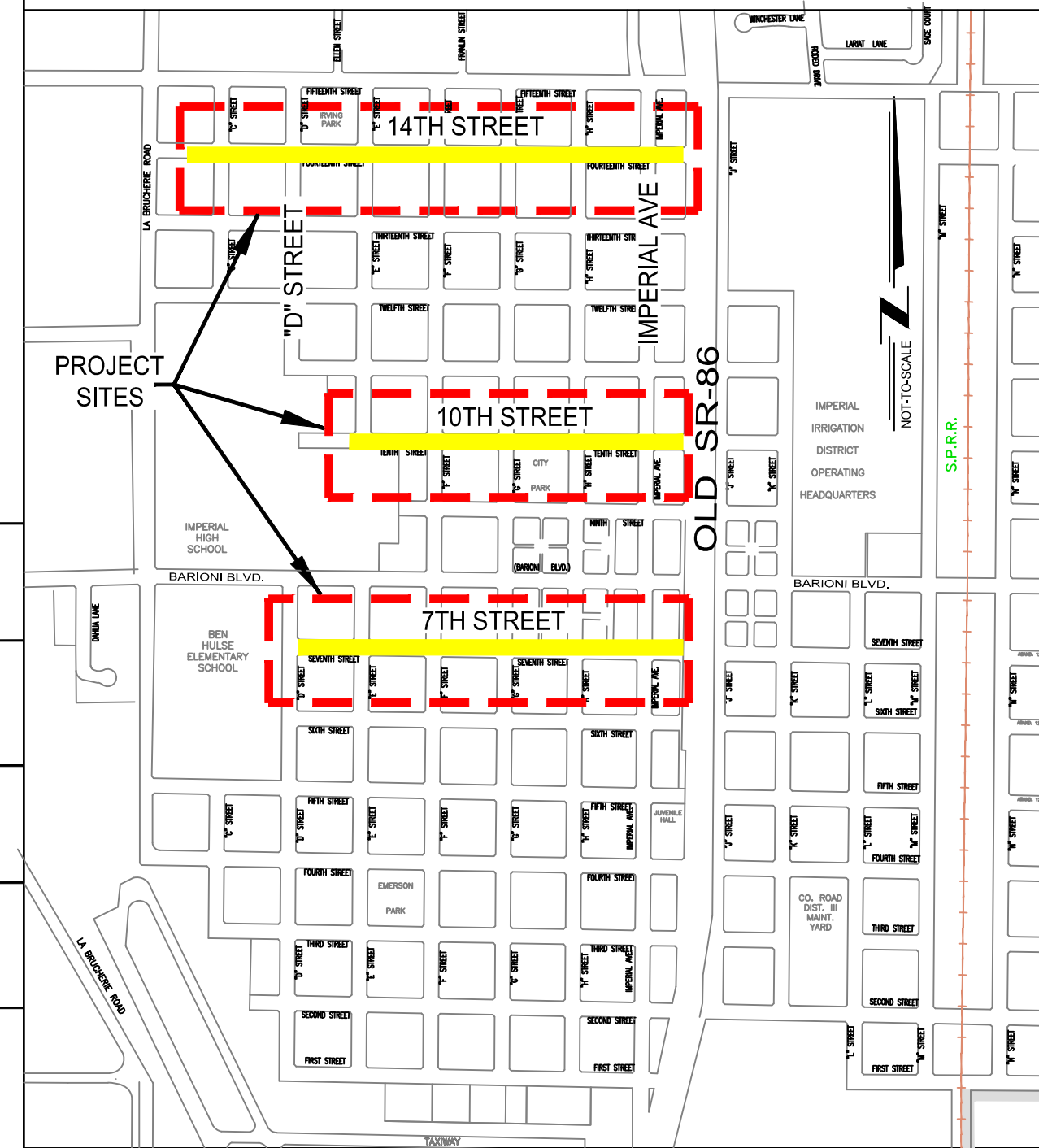
7TH, 10TH & 14TH STREETS REHABILITATION PROJECT

BETWEEN "C" STREET AND OLD SR-86

IN THE CITY OF IMPERIAL, COUNTY OF IMPERIAL, STATE OF CALIFORNIA.

BID NO. 2024-01

VICINITY MAP



GENERAL NOTES

- CITY ENCROACHMENT PERMIT CONDITIONS AND PROVISIONS SHALL TAKE PRECEDENCE OVER THE APPROVED PLANS AND SPECIFICATIONS FOR ANY CONFLICTS.
- THE STRUCTURAL SECTION SHALL BE IN ACCORDANCE WITH CITY OF IMPERIAL STANDARDS (OR CALTRANS IF IN STATE RIGHT OF WAY) AND AS APPROVED BY THE DEVELOPMENT SERVICES DEPARTMENT DIRECTOR (OR CALTRANS).
- APPROVAL OF THESE IMPROVEMENT PLANS AS SHOWN DOES NOT CONSTITUTE APPROVAL OF ANY CONSTRUCTION OUTSIDE THE PROJECT BOUNDARY.
- ALL UNDERGROUND UTILITIES WITHIN THE STREET RIGHT-OF-WAY SHALL BE CONSTRUCTED, CONNECTED AND TESTED PRIOR TO CONSTRUCTION OF BERM, CURB, CROSS-GUTTER AND PAVING.
- THE EXISTENCE AND LOCATION OF EXISTING UNDERGROUND FACILITIES SHOWN ON THESE PLANS WERE OBTAINED BY A SEARCH OF THE AVAILABLE RECORDS. TO THE BEST OF OUR KNOWLEDGE, THERE ARE NO OTHER EXISTING FACILITIES EXCEPT AS SHOWN ON THESE PLANS. HOWEVER, THE CONTRACTOR IS REQUIRED TO TAKE PRECAUTIONARY MEASURES TO PROTECT ANY EXISTING FACILITY SHOWN HEREON AND ANY OTHER WHICH IS NOT OF RECORD OR NOT SHOWN ON THESE PLANS.
- LOCATION AND ELEVATION OF IMPROVEMENTS TO BE MET BY WORK TO BE DONE SHALL BE CONFIRMED BY FIELD MEASUREMENTS PRIOR TO CONSTRUCTION OF NEW WORK. CONTRACTOR WILL MAKE EXPLORATORY EXCAVATIONS AND LOCATE EXISTING UNDERGROUND FACILITIES SUFFICIENTLY AHEAD OF CONSTRUCTION TO PERMIT REVISIONS TO PLANS IF REVISIONS ARE NECESSARY BECAUSE OF ACTUAL LOCATION OF EXISTING FACILITIES.
- UTILITIES COORDINATION NO LESS THAN 3 WORKING DAYS PRIOR TO ANY EXCAVATION OR TRENCHING, EACH CONTRACTOR DOING SUCH WORK SHALL CONTACT THE REFERENCED AGENCIES SO THAT EXISTING UNDERGROUND UTILITIES MAY BE LOCATED. THE AGENCY MAY REQUIRE AN INSPECTOR TO BE PRESENT. EXISTING UNDERGROUND UTILITIES: BEFORE EXCAVATING FOR THIS CONTRACT, VERIFY LOCATION OF UNDERGROUND UTILITIES. THE EXISTENCE AND LOCATION OF ANY UNDERGROUND UTILITY PIPES OR STRUCTURES SHOWN ON THESE PLANS HAS BEEN OBTAINED FROM AVAILABLE RECORDS ONLY AND MAY NOT REFLECT ALL EXISTING UTILITIES. LOCATION OF ALL EXISTING UTILITIES SHALL BE CONFIRMED BY FIELD MEASUREMENTS BY CONTRACTOR PRIOR TO CONSTRUCTION OF WORK. CONTRACTOR IS REQUIRED TO TAKE PRECAUTIONARY MEASURES TO PROTECT THE UTILITY LINES SHOWN HEREON AND ANY OTHER EXISTING LINES NOT OF RECORD OR NOT SHOWN ON THESE PLANS. ACCURATE VERIFICATION AS TO SIZE, LOCATION AND DEPTH OF EXISTING UNDERGROUND SERVICES SHALL BE THE CONTRACTOR'S RESPONSIBILITY. THE CONTRACTOR SHALL NOTIFY THE SOUTHERN CALIFORNIA GAS COMPANY, PACIFIC BELL, TELEPHONE COMPANY, IMPERIAL IRRIGATION DISTRICT AND ANY OTHER AFFECTED UTILITY AGENCIES PRIOR TO STARTING HIS WORK WITH UTILITY REPRESENTATIVES. FOR LOCATION OF UNDERGROUND UTILITIES AND APPURTENANCES, CONTACT "UNDERGROUND SERVICE ALERT": AT 1-800 422 4133
- IT SHALL BE THE RESPONSIBILITY OF THE CONTRACTOR TO CONTACT THE UTILITY AGENCIES, ADVISE THEM OF THE PROPOSED IMPROVEMENTS AND BEAR THE COST OF RELOCATIONS, IF NEEDED.
- CONSTRUCT A PUBLIC STREET LIGHT SYSTEM CONFORMING TO APPROPRIATE STANDARDS AND STREET LIGHT SPECIFICATIONS. POWER SOURCES AND RUNS SHALL BE SHOWN ON THE "AS-BUILT" IMPROVEMENT DRAWINGS. ALL POWER SOURCES SHALL BE LOCATED WITHIN THE DEDICATED RIGHT-OF-WAY EASEMENT.
- NO PAVING SHALL BE DONE UNTIL EXISTING POWER POLES ARE RELOCATED OUTSIDE THE AREAS TO BE PAVED.
- PRIVATE ROAD IMPROVEMENTS SHOWN HEREON ARE FOR INFORMATION ONLY. CITY OFFICIALS SIGNATURE HEREON DOES NOT CONSTITUTE APPROVAL OR RESPONSABILITY OF ANY KIND FOR THE DESIGN OR CONSTRUCTION OF THESE PRIVATE IMPROVEMENTS.
- ALL SIGNS TO BE ALUMINUM WITH 3M HIGH INTENSITY TYPE REFLECTIVE FACE OR EQUIVALENT.
- CONTRACTOR WILL BE RESPONSIBLE FOR THE REPLACEMENT OF ANY STRIPING, PAVEMENT MARKERS, OR LEGENDS OBLITERATED BY THE CONSTRUCTION OF THIS PROJECT.
- THE CONTRACTOR SHALL DO ALL NEW STRIPING AND SANDBLASTING OF REDUNDANT STRIPING.
- THE CONSTRUCTION OF ONE PCC STANDARD DRIVEWAY PER LOT, LOCATION TO BE DETERMINED IN THE FIELD BY THE ENGINEER OF WORK. PCC SURFACING OF DRIVEWAY TO EXTEND FROM CURB TO PROPERTY LINE UNLESS OTHERWISE SHOWN.
- THE CONTRACTOR SHALL BE RESPONSIBLE TO SECURE AN ENCROACHMENT PERMIT FROM THE CITY OF IMPERIAL COMMUNITY DEVELOPMENT DEPARTMENT FOR ANY EXCAVATION OR CONSTRUCTION WITHIN CITY ROAD RIGHT-OF-WAY. FOR INSPECTIONS, 24 HOUR MINIMUM NOTICE IS REQUIRED, (760) 355-1151. ADDITIONALLY, UNDERGROUND SERVICE ALERT (USA) MUST BE CALLED TWO WORKING DAYS BEFORE THE CONTRACTOR MAY EXCAVATE. THEY'RE CONTACT NUMBER 1-800-422-4133. ALL WORK AND MATERIALS ARE SUBJECT TO THE INSPECTION AND APPROVAL FROM THE CITY OF IMPERIAL PUBLIC WORKS DEPARTMENT OR THEIR REPRESENTATIVE.
- NO REVISIONS OF ANY KIND SHALL BE MADE TO THESE PLANS WITHOUT THE PRIOR WRITTEN APPROVAL OF BOTH THE CITY ENGINEER (OR HIS REPRESENTATIVE) AND THE ENGINEER OF RECORD. A REPRODUCIBLE AS-BUILT PLAN SET WILL BE PROVIDED TO THE CITY OF IMPERIAL PUBLIC WORKS DEPARTMENT AS A CONDITION OF SUBSTANTIAL CONSTRUCTION COMPLETION AND PRIOR TO ACCEPTANCE.

- ALL WORK AND MATERIAL SHALL CONFORM TO THESE PLANS AND SPECIFICATIONS, THE CITY OF IMPERIAL COMMUNITY DEVELOPMENT/PUBLIC SERVICES DEPARTMENT STANDARDS AND ENCROACHMENT PERMIT CONDITIONS, ANY REFERENCED STANDARDS AND SPECIFICATIONS AND THE SPECIFICATIONS & THE REQUIREMENTS OF THE AGENCIES REFERRED TO HEREIN. ALL WORK SHOWN OR INDICATED BY THESE PLANS SHALL BE COMPLETED IN ACCORDANCE WITH THE STANDARDS, POLICIES AND REGULATIONS OF THE CITY OF IMPERIAL; WHERE, OR IF, CONFLICTS OCCUR, THEN THE CITY OF IMPERIAL REQUIREMENTS SHALL GOVERN.
- UNLESS SPECIFICALLY INDICATED OTHERWISE METHODS EMPLOYED AND MATERIAL USED IN THE CONSTRUCTION OF ALL OFFSITE IMPROVEMENTS SHALL CONFORM TO THE APPLICABLE PROVISIONS OF THE "STATE OF CALIFORNIA, DEPARTMENT OF TRANSPORTATION STANDARD SPECIFICATIONS DATED JULY 1999". ALL WORK IS SUBJECT TO INSPECTION AND APPROVAL AS REQUIRED.
- IT SHALL BE THE RESPONSIBILITY OF THE CONTRACTOR TO OBTAIN AN EXCAVATION PERMIT FROM THE STATE OF CALIFORNIA DIVISION OF SAFETY AND TO ADHERE TO ALL PROVISIONS OF THE STATE CONSTRUCTION SAFETY ORDERS AND STANDARDS.
- IT SHALL BE THE CONTRACTOR'S RESPONSIBILITY TO OBTAIN A GENERAL CONSTRUCTION ACTIVITY STORM WATER PERMIT FROM THE STATE WATER RESOURCES CONTROL BOARD DIVISION OF WATER QUALITY, CONTACT "STATE WATER RESOURCES CONTROL BOARD, DIVISION OF WATER QUALITY, ATTENTION: STORM WATER PERMIT UNIT, P.O. BOX 1977, SACRAMENTO, CALIFORNIA, 95812.
- CONSTRUCTION PROJECTS DISTURBING MORE THAN ONE ACRE MUST OBTAIN A NATIONAL POLLUTANT DISCHARGE ELIMINATION SYSTEM (NPDES) PERMIT. OWNER/DEVELOPERS ARE REQUIRED TO FILE A NOTICE OF INTENT (NOI) WITH THE STATE WATER RESOURCES CONTROL BOARD, PREPARE A STORM WATER POLLUTION PREVENTION PLAN (SWPPP) AND MONITORING PLAN FOR THE SITE.
- AS DETERMINED BY THE CITY OF IMPERIAL COMMUNITY DEVELOPMENT AND/OR PUBLIC WORKS DEPARTMENT DIRECTOR/ROAD COMMISSIONER, THE DEVELOPER IS RESPONSIBLE, FOR A MINIMUM, FOR ROAD IMPROVEMENTS TO CENTERLINE, AND MAY BE REQUIRED TO RECONSTRUCT EXISTING PAVEMENT, INCLUDING BASE, AND MATCHING OVERLAY REQUIRED TO MEET THE STRUCTURAL STANDARDS FOR THE CURRENT ASSIGNED TRAFFIC INDEX.
- EXISTING STORM DRAIN PIPES/CULVERTS WHETHER TO BE CONNECTED TO, EXTENDED, ADJUSTED, DRAINED TO, OR JUST IN PROJECT VICINITY SHALL BE REPAIRED AND/OR CLEANED TO MAKE THEN FUNCTIONAL AND ACCEPTABLE AS DIRECTED BY THE CITY OF IMPERIAL COMMUNITY DEVELOPMENT AND/OR PUBLIC WORKS DEPARTMENT DIRECTOR.
- TRAFFIC CONTROL SHALL BE IN ACCORDANCE WITH THE CURRENT WORK AREA TRAFFIC CONTROL HANDBOOK OR AS DIRECTED BY THE CITY OF IMPERIAL COMMUNITY DEVELOPMENT DEPARTMENT TRAFFIC ENGINEER.
- ANY EXISTING SURVEY MONUMENTS OR CITY RECOGNIZED BENCHMARKS SHALL BE PROTECTED BY THE CONTRACTOR. SHOULD ANY SUCH MONUMENTS OR BENCHMARKS BE REMOVED, DAMAGED, OBLITERATED OR ALTERED BY THE CONTRACTOR'S OPERATIONS, THE CONTRACTOR SHALL BE RESPONSIBLE FOR PROPER RESETTLEMENT OF THE SAME AS PER THE SUBDIVISION MAP ACT, THE PROFESSIONAL LAND SURVEYORS ACT AND THE SATISFACTION OF THE CITY SURVEYOR/COMMUNITY DEVELOPMENT DEPARTMENT DIRECTOR.
- DUST CONTROL PLAN: PRIOR TO ANY GRADING OPERATIONS A DUST CONTROL PLAN SHALL BE PREPARED AND SUBMITTED FOR APPROVAL TO THE IMPERIAL COUNTY AIR POLLUTION CONTROL DISTRICT (ICAPCD). A COPY OF THE DUST CONTROL PLAN TO BE SUBMITTED TO THE CITY OF IMPERIAL COMMUNITY DEVELOPMENT DEPARTMENT.
- AS-BUILT DRAWINGS: ALL WORK AND MATERIAL PROVIDED FOR THIS PROJECT SHALL CONFORM WITH THESE AND ALL REFERENCED PLANS. IN THE EVENT OF DEVIATIONS ARE REQUIRED AND HAVE BEEN APPROVED BY THE CITY OR ASSOCIATED UTILITY, SAID DEVIATIONS SHALL BE RECORDED ON AN AS-BUILT PLAN AND PROVIDED TO THE ENGINEER-OF-WORK FOR HIS PREPARATION OF AS-BUILT DRAWINGS. SAID DRAWINGS SHALL BE SUBMITTED TO THE CITY OF IMPERIAL COMMUNITY DEVELOPMENT DEPARTMENT NO LATER THAN 45 CALENDAR DAYS AFTER THE COMPLETION OF ALL CONTRACT WORK.
- THE NOTES LISTED ABOVE ARE MINIMUM LIST. THIS DOES NOT RELIEVE THE ENGINEER AND CONTRACTOR FROM COMPILING ADDITIONAL NOTES THAT MAY BE REQUIRED FOR THE PROJECT.

TRAFFIC CONTROL PLANS

IT IS RESPONSIBILITY OF THE CONTRACTOR TO SUBMIT THE TRAFFIC CONTROL PLAN FOR THIS PROJECT AT LEAST TWO (2) WEEKS PRIOR TO THE START OF CONSTRUCTION.

WATER POLLUTION CONTROL PLAN

THE CONTRACTOR IS RESPONSIBLE FOR SUBMITTAL A WATER POLLUTION CONTROL PLAN

LEGEND:

- RIGHT OF WAY LINE
- BASELINE
- EXIST. AC PAVEMENT
- PROPOSED OVERLAY AREA
- GAS — GAS — EXIST GAS LINE
- ONE — EXIST ELECTRIC OVERHEAD LINE
- - - - - EXIST TELEPHONE LINE
- +45.11 EXIST SPOT ELEVATION
- EXIST SLOPE

AGENCY TELEPHONE NUMBERS

UTILITIES COORDINATION

NO LESS THAN 3 WORKING DAYS PRIOR TO ANY EXCAVATION OR TRENCHING, EACH CONTRACTOR DOING SUCH WORK SHALL CONTACT OR TELEPHONE THE FOLLOWING AGENCIES SO THAT EXISTING UNDERGROUND UTILITIES MAY BE LOCATED AND, IF REQUIRED BY THE AGENCY, AN INSPECTOR MAY BE PRESENT.

1. CITY OF IMPERIAL	760-355-4321
2. AT&T	760-337-3358
3. SOUTHERN CALIFORNIA GAS CO.	760-370-5812
4. IMPERIAL IRRIGATION DISTRICT (POWER)	760-482-3406
5. IMPERIAL IRRIGATION DISTRICT (WATER)	760-339-9507
6. SPECTRUM	760-335-4818
7. CITY OF IMPERIAL WEB SITE	WWW.CITYOFIMPERIAL.ORG

EXISTING UNDERGROUND UTILITIES.

ONLY THOSE EXISTING FACILITIES KNOWN TO THE ENGINEER OF THE WORK ARE SHOWN OR INDICATED ON THE DRAWINGS. THE LOCATION OF SUCH FACILITIES SHALL BE CONSIDERED APPROXIMATE BEFORE COMMENCING WORK, EACH CONTRACTOR SHALL DETERMINE WHETHER OR NOT, SAME WILL INTERFERE.

ABBREVIATIONS

CL	CENTER LINE	ST. LT.	STREET LIGHT
FL	FLOW LINE	TC	TOP OF CURB
FS	FINISHED SURFACE	TMH	TOP OF MANHOLE ELEVATION
INV	INVERT ELEVATION	TP	TOP OF PAVEMENT
RIM	RIM ELEVATION	W	WATER LINE
SS	SEWER LINE		
SD	STORM DRAIN LINE		

SHEET INDEX

- TITLE SHEET
- ROADWAY SURFACE IMPROVEMENTS (7TH STREET)
- ROADWAY SURFACE IMPROVEMENTS (7TH STREET)
- ROADWAY SURFACE IMPROVEMENTS (10TH STREET)
- ROADWAY SURFACE IMPROVEMENTS (10TH STREET)
- ROADWAY SURFACE IMPROVEMENTS (14TH STREET)
- ROADWAY SURFACE IMPROVEMENTS (14TH STREET)
- ROADWAY SURFACE IMPROVEMENTS (14TH STREET)
- STORM DRAIN SYSTEM (7TH STREET)
- STORM DRAIN SYSTEM (7TH STREET)
- STORM DRAIN SYSTEM (10TH STREET)
- STORM DRAIN SYSTEM (10TH STREET)
- STORM DRAIN SYSTEM (14TH STREET)
- STORM DRAIN SYSTEM (14TH STREET)
- STORM DRAIN SYSTEM (14TH STREET)
- STRIPING PLAN (7TH STREET)
- STRIPING PLAN (7TH STREET)
- STRIPING PLAN (10TH STREET)
- STRIPING PLAN (10TH STREET)
- STRIPING PLAN (14TH STREET)
- STRIPING PLAN (14TH STREET)
- STRIPING PLAN (14TH STREET)
- STRIPING PLAN (14TH STREET)
- DETAIL SHEET
- DETAIL SHEET
- DETAIL SHEET
- DETAIL SHEET
- DETAIL SHEET
- STRIPING PLAN
- SPECIFICATIONS SHEET



Underground Service Alert

Call: TOLL FREE

811

2 WORKING DAYS BEFORE YOU DIG

NO.	REVISIONS:	APPROVED	DATE

UNAUTHORIZED CHANGES & USES: The engineer preparing these plans will not be responsible for, or liable for, unauthorized changes to or uses of these plans. All changes to the plans must be in writing and must be approved by the preparer of these plans.



CITY OF IMPERIAL

420 South Imperial Avenue
Imperial, CA 92251

Ph: (760) 355-3840 • Fax: (760)355-4718

COMMUNITY DEVELOPMENT DEPARTMENT

7TH, 10TH & 14TH STREETS REHABILITATION PROJECT
BID NO. 2024-01

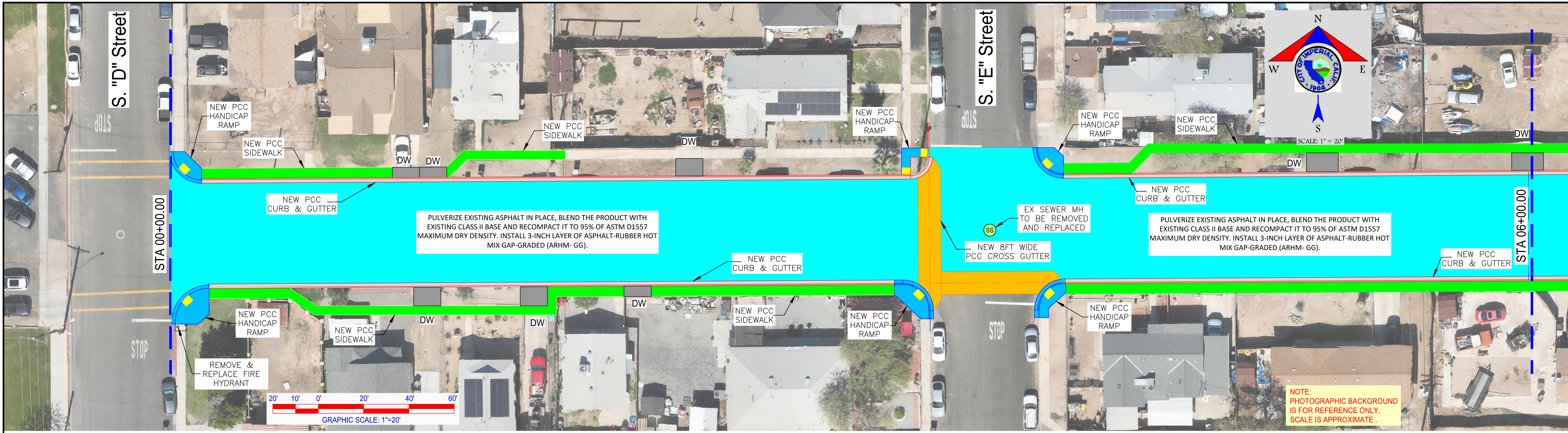
TITLE SHEET

DATE: 2024-04-03

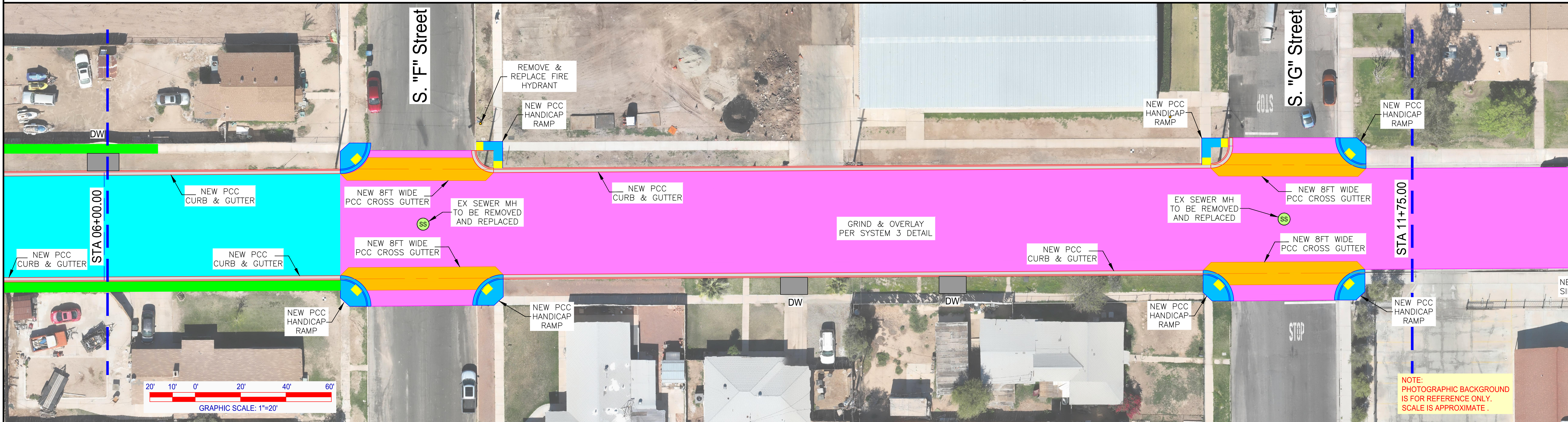
SHEET

1

OF 28 SHEETS



7th Street (Sta 00+00 to Sta 06+00)



7th Street (Sta 06+00 to Sta 11+75)

NO.	REVISIONS:	APPROVED	DATE

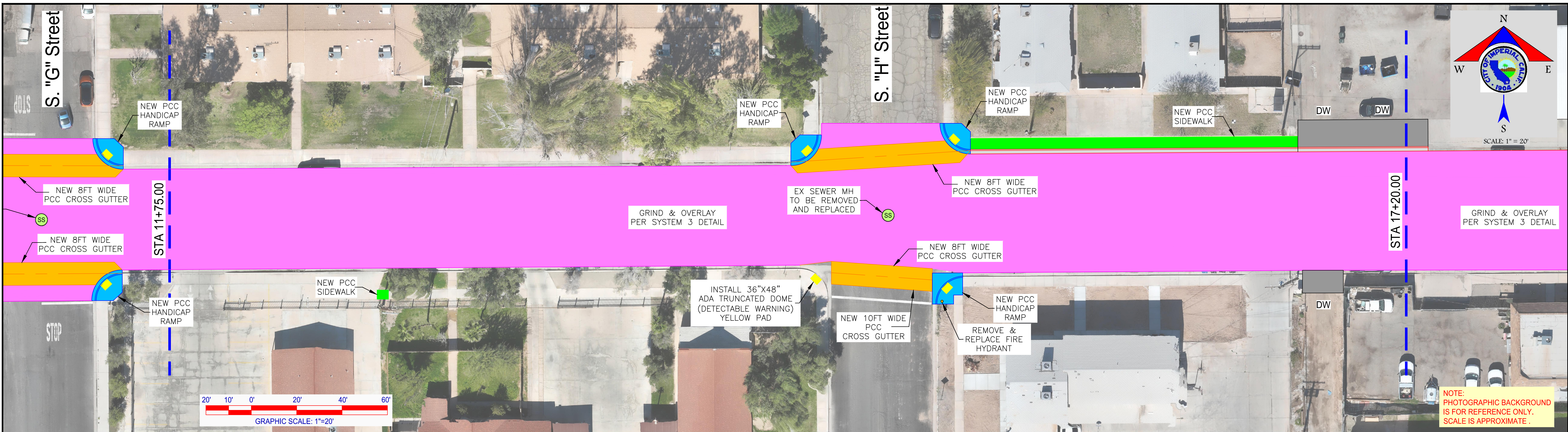
UNAUTHORIZED CHANGES & USES: The engineer preparing these plans will not be responsible for, or liable for, unauthorized changes to or uses of these plans. All changes to the plans must be in writing and must be approved by the preparer of these plans.



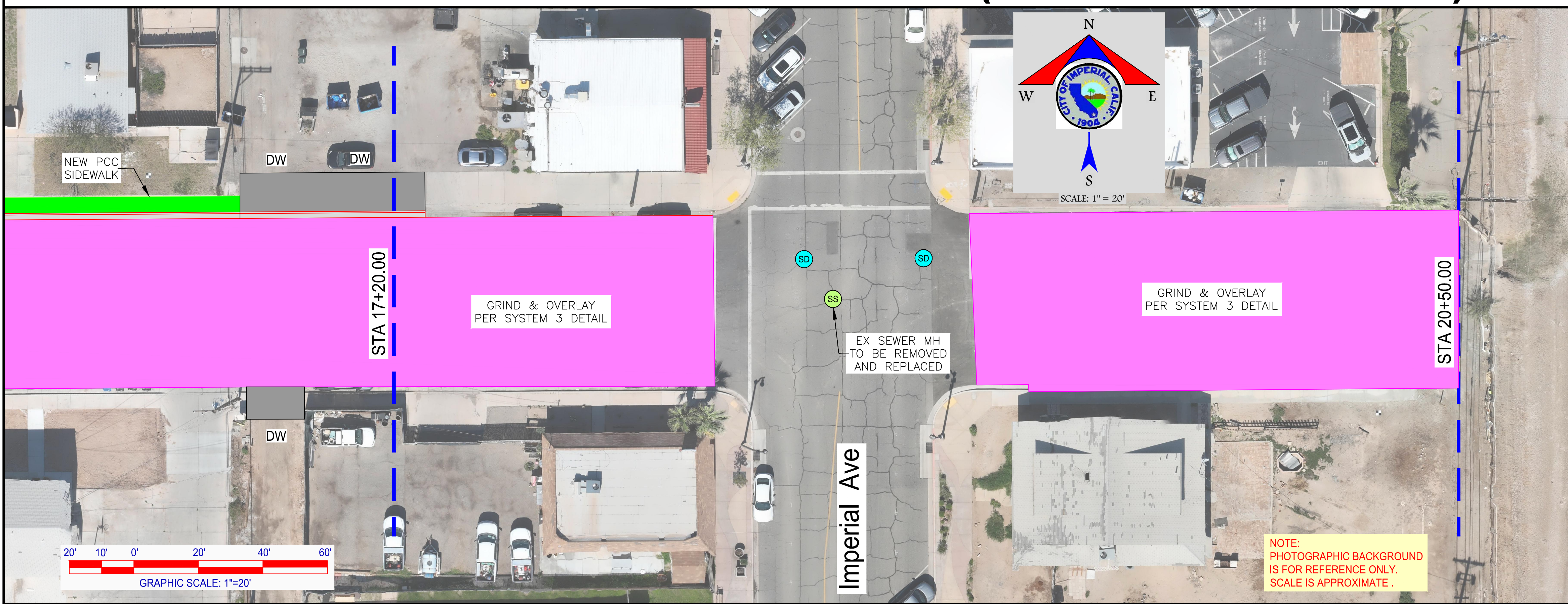
CITY OF IMPERIAL
 420 South Imperial Avenue
 Imperial, CA 92251
 Ph: (760) 355-3840 • Fax: (760)355-4718

COMMUNITY DEVELOPMENT DEPARTMENT
7TH, 10TH & 14TH STREETS REHABILITATION PROJECT
BID No. 2024-01
 7TH STREET - ROADWAY SURFACE IMPROVEMENTS
 BETWEEN SOUTH "D" STREET & OLD SR-86
 DATE: 2024-04-03

SHEET **2**
 OF **28** SHEETS



7th Street (Sta 11+75 to Sta 17+20)



7th Street (Sta 17+20 to Sta 20+50)

NO.	REVISIONS:	APPROVED	DATE

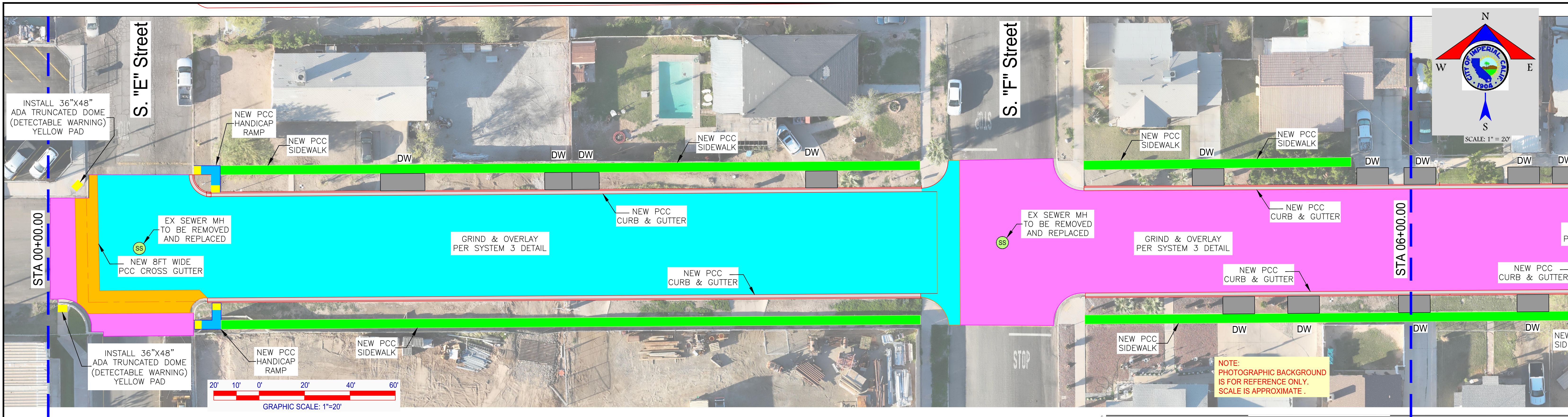
UNAUTHORIZED CHANGES & USES: The engineer preparing these plans will not be responsible for, or liable for, unauthorized changes to or uses of these plans. All changes to the plans must be in writing and must be approved by the preparer of these plans.



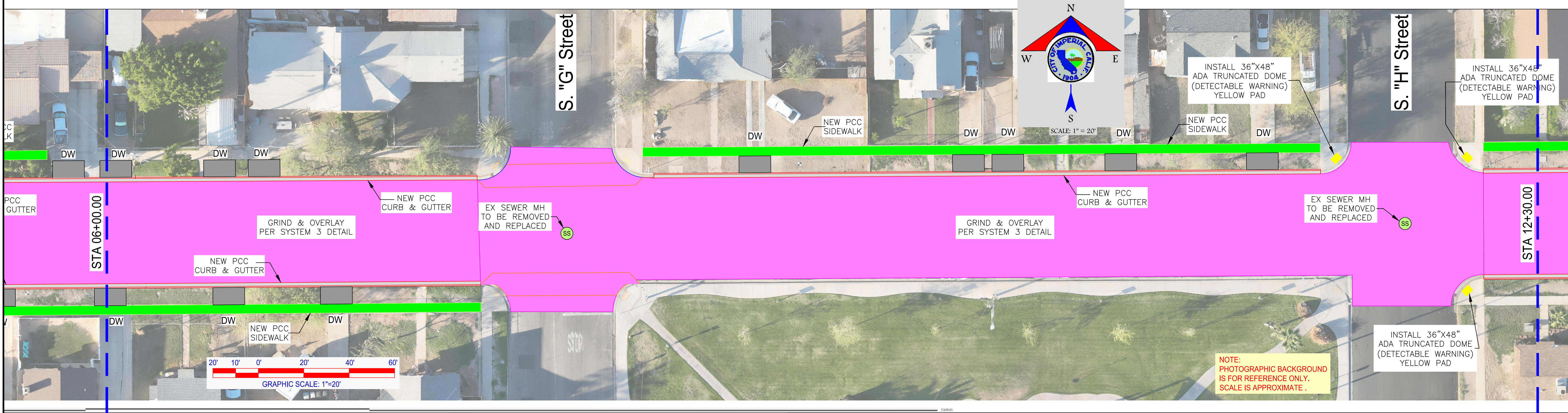
CITY OF IMPERIAL
 420 South Imperial Avenue
 Imperial, CA 92251
 Ph: (760) 355-3840 • Fax: (760)355-4718

COMMUNITY DEVELOPMENT DEPARTMENT
7TH, 10TH & 14TH STREETS REHABILITATION PROJECT
BID No. 2024-01
 7TH STREET - ROADWAY SURFACE IMPROVEMENTS
 BETWEEN SOUTH "D" STREET & OLD SR-86
 DATE: 2024-04-03

SHEET **3**
 OF **28** SHEETS



10th Street (Sta 00+00 to Sta 06+00)



10th Street (Sta 06+00 to Sta 12+30)

NO.	REVISIONS:	APPROVED	DATE

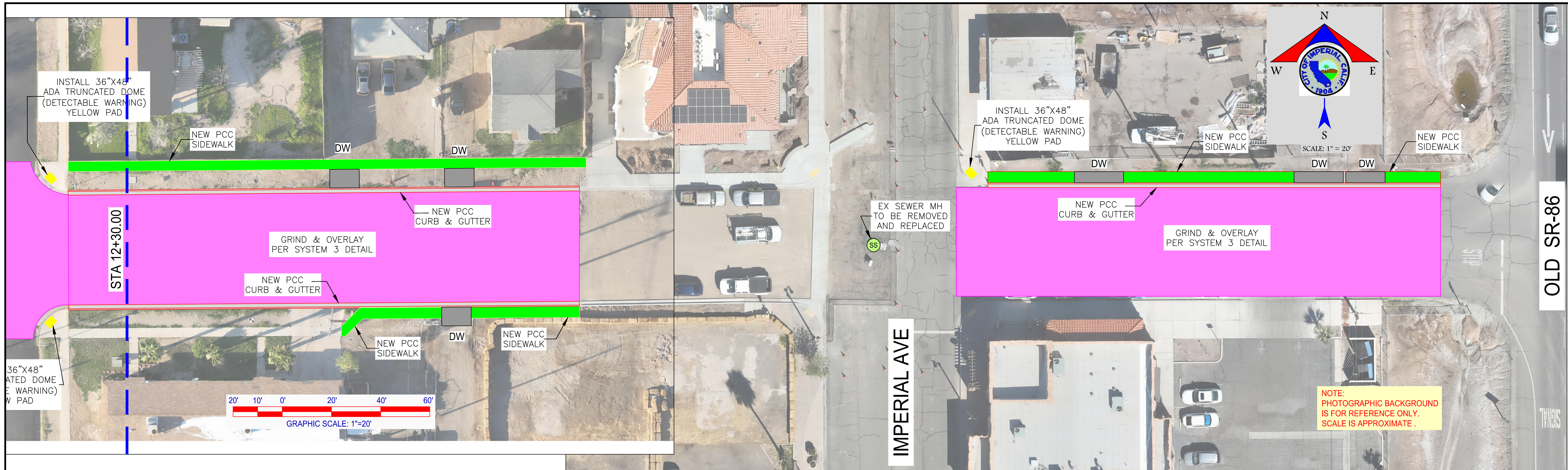
UNAUTHORIZED CHANGES & USES: The engineer preparing these plans will not be responsible for, or liable for, unauthorized changes to or uses of these plans. All changes to the plans must be in writing and must be approved by the preparer of these plans.



CITY OF IMPERIAL
 420 South Imperial Avenue
 Imperial, CA 92251
 Ph: (760) 355-3840 • Fax: (760) 355-4718

COMMUNITY DEVELOPMENT DEPARTMENT
7TH, 10TH & 14TH STREETS REHABILITATION PROJECT
BID No. 2024-01
 10TH STREET - ROADWAY SURFACE IMPROVEMENTS
 BETWEEN SOUTH "E" STREET & OLD SR-86
 DATE: 2024-04-03

SHEET
4
 OF **28** SHEETS



10th Street (Sta 00+00 to Sta 06+00)

10th Street (Sta 06+00 to Sta 12+30)

NO.	REVISIONS:	APPROVED	DATE

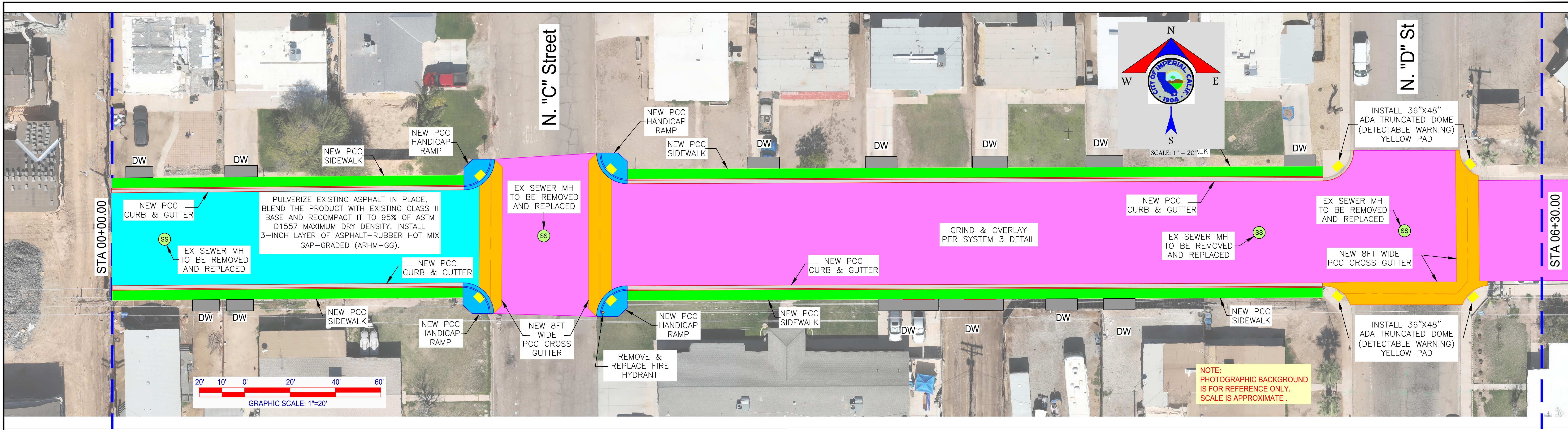
UNAUTHORIZED CHANGES & USES: The engineer preparing these plans will not be responsible for, or liable for, unauthorized changes to or uses of these plans. All changes to the plans must be in writing and must be approved by the preparer of these plans.



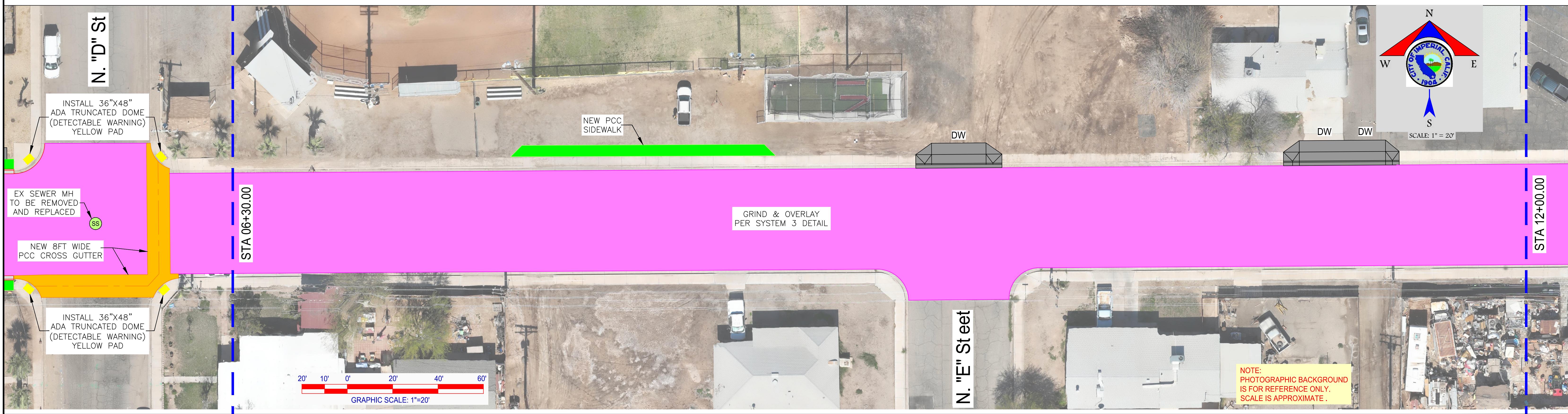
CITY OF IMPERIAL
 420 South Imperial Avenue
 Imperial, CA 92251
 Ph: (760) 355-3840 • Fax: (760)355-4718

COMMUNITY DEVELOPMENT DEPARTMENT
7TH, 10TH & 14TH STREETS REHABILITATION PROJECT
BID No. 2024-01
 10TH STREET - ROADWAY SURFACE IMPROVEMENTS
 BETWEEN SOUTH "E" STREET & OLD SR-86
 DATE: 2024-04-03

SHEET **5**
 OF **28** SHEETS



14th Street (Sta 00+00 to Sta 06+30)



14th Street (Sta 06+30 to Sta 12+00)

NO.	REVISIONS:	APPROVED	DATE

UNAUTHORIZED CHANGES & USES: The engineer preparing these plans will not be responsible for, or liable for, unauthorized changes to or uses of these plans. All changes to the plans must be in writing and must be approved by the preparer of these plans.



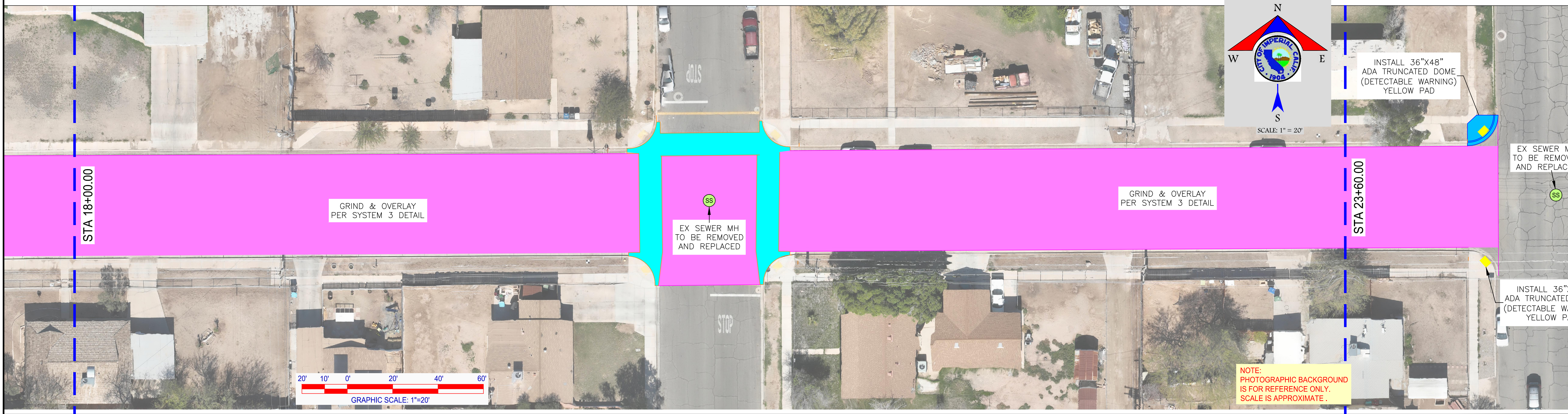
CITY OF IMPERIAL
 420 South Imperial Avenue
 Imperial, CA 92251
 Ph: (760) 355-3840 • Fax: (760)355-4718

COMMUNITY DEVELOPMENT DEPARTMENT
7TH, 10TH & 14TH STREETS REHABILITATION PROJECT
BID No. 2024-01
 14TH STREET - ROADWAY SURFACE IMPROVEMENTS
 FROM 170' WEST OF N. "C" STREET TO OLD SR-86
 DATE: 2024-04-03

SHEET **6**
 OF **28** SHEETS



14th Street (Sta 12+00 to Sta 18+00)



14th Street (Sta 18+00 to Sta 23+60)

NO.	REVISIONS:	APPROVED	DATE

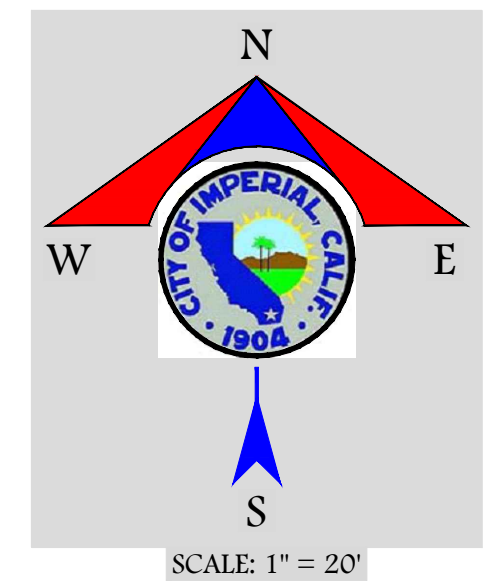
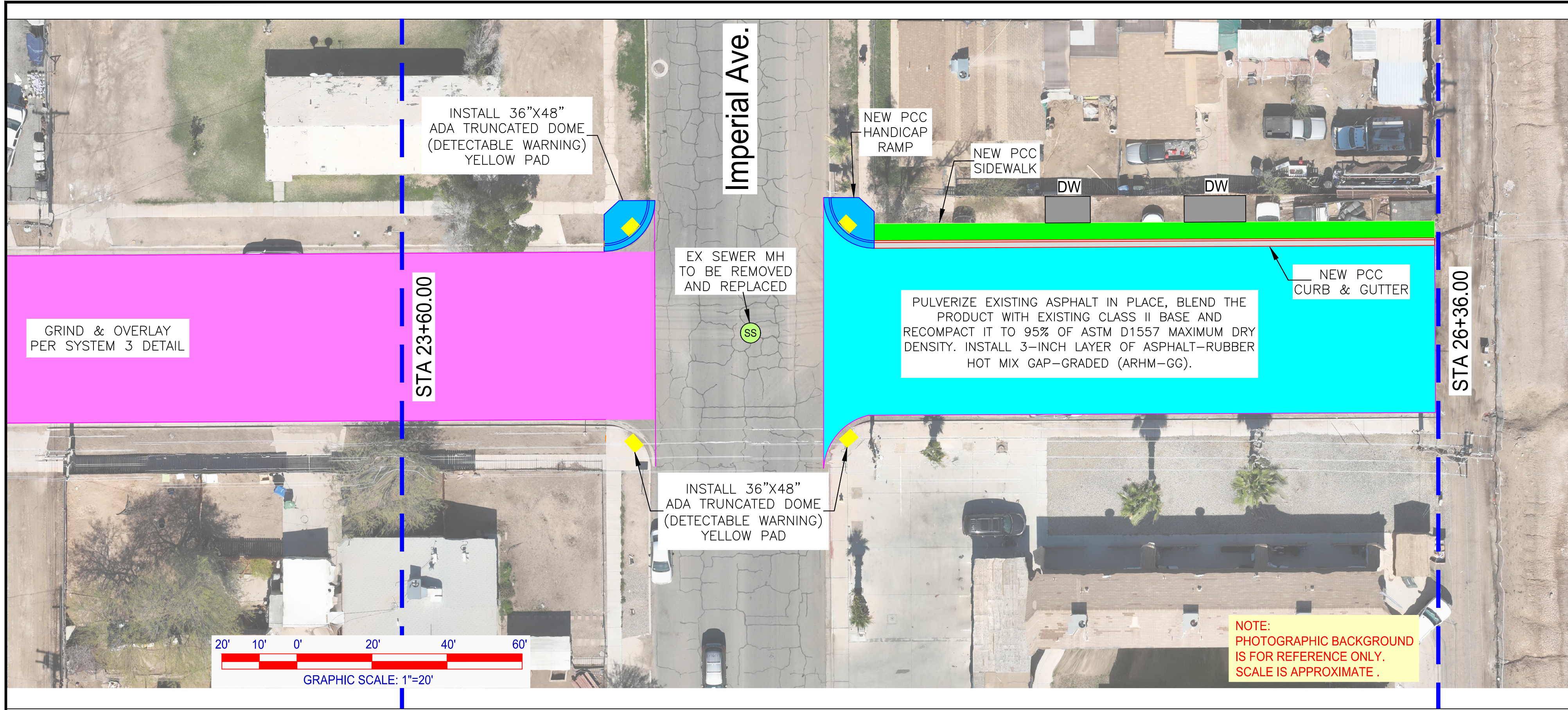
UNAUTHORIZED CHANGES & USES: The engineer preparing these plans will not be responsible for, or liable for, unauthorized changes to or uses of these plans. All changes to the plans must be in writing and must be approved by the preparer of these plans.



CITY OF IMPERIAL
 420 South Imperial Avenue
 Imperial, CA 92251
 Ph: (760) 355-3840 • Fax: (760)355-4718

COMMUNITY DEVELOPMENT DEPARTMENT
7TH, 10TH & 14TH STREETS REHABILITATION PROJECT
BID No. 2024-01
 14TH STREET - ROADWAY SURFACE IMPROVEMENTS
 FROM 170' WEST OF N. "C" STREET TO OLD SR-86
 DATE: 2024-04-03

SHEET
7
 OF **28** SHEETS



14th Street (Sta 23+60 to Sta 26+36)

NO.	REVISIONS:	APPROVED	DATE

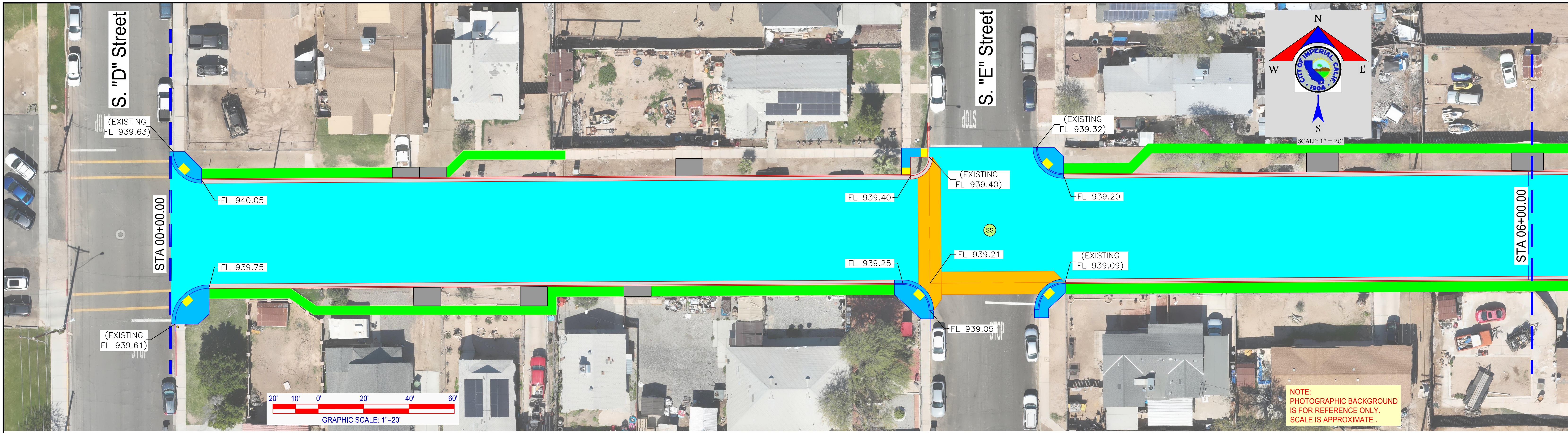
UNAUTHORIZED CHANGES & USES: The engineer preparing these plans will not be responsible for, or liable for, unauthorized changes to or uses of these plans. All changes to the plans must be in writing and must be approved by the preparer of these plans.



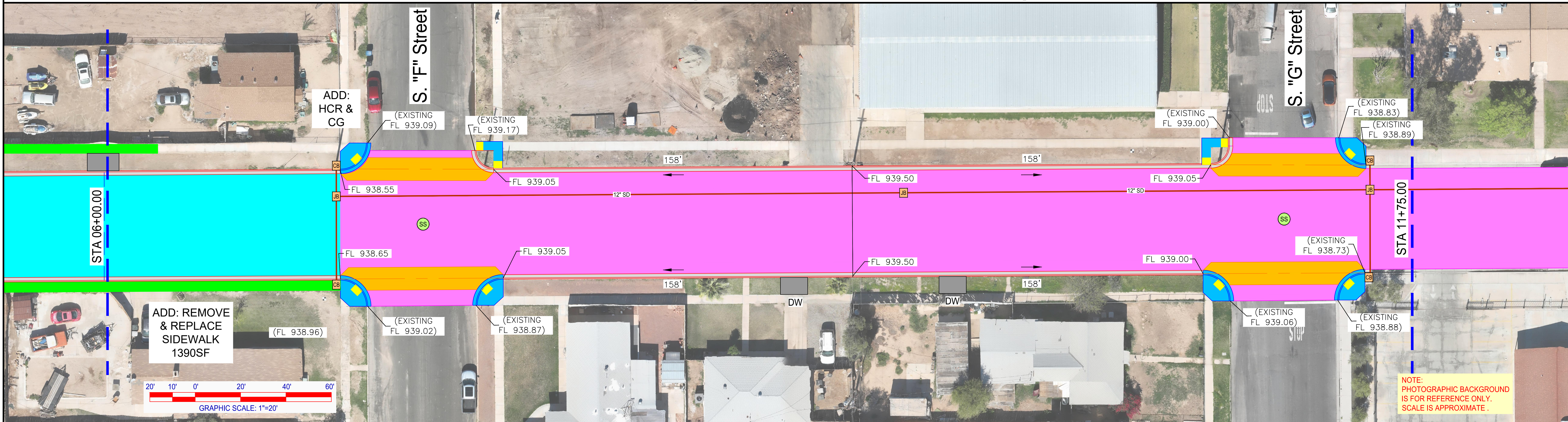
CITY OF IMPERIAL
 420 South Imperial Avenue
 Imperial, CA 92251
 Ph: (760) 355-3840 • Fax: (760)355-4718

COMMUNITY DEVELOPMENT DEPARTMENT
7TH, 10TH & 14TH STREETS REHABILITATION PROJECT
BID No. 2024-01
 14TH STREET - ROADWAY SURFACE IMPROVEMENTS
 FROM 170' WEST OF N. "C" STREET TO OLD SR-86
 DATE: 2024-04-03

SHEET
8
 OF **28** SHEETS



7th Street (Sta 00+00 to Sta 06+00)



7th Street (Sta 06+00 to Sta 11+75)

NO.	REVISIONS:	APPROVED	DATE

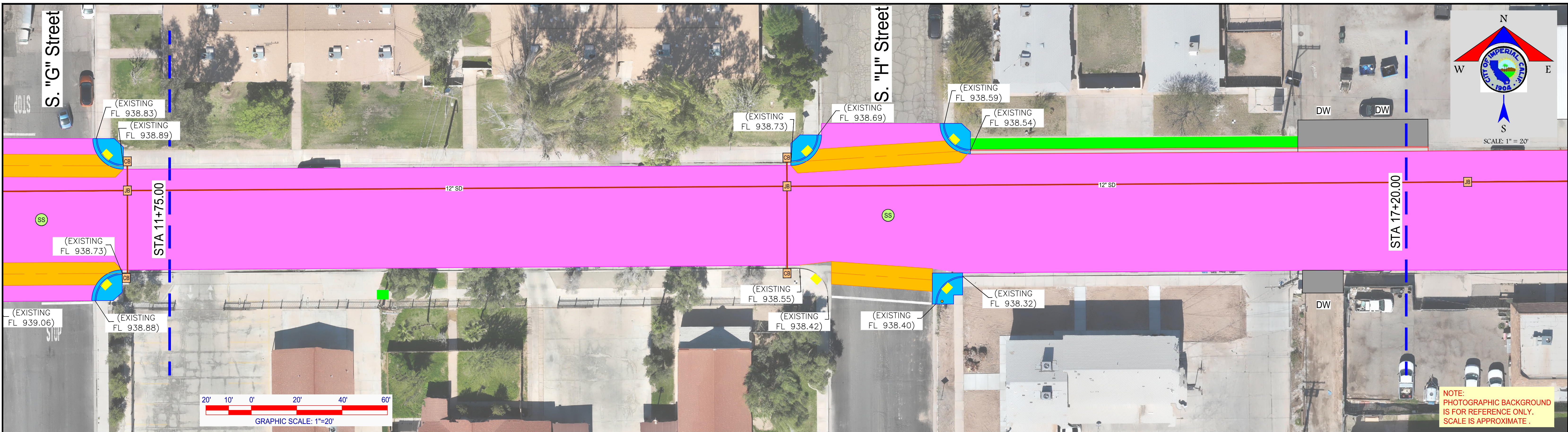
UNAUTHORIZED CHANGES & USES: The engineer preparing these plans will not be responsible for, or liable for, unauthorized changes to or uses of these plans. All changes to the plans must be in writing and must be approved by the preparer of these plans.



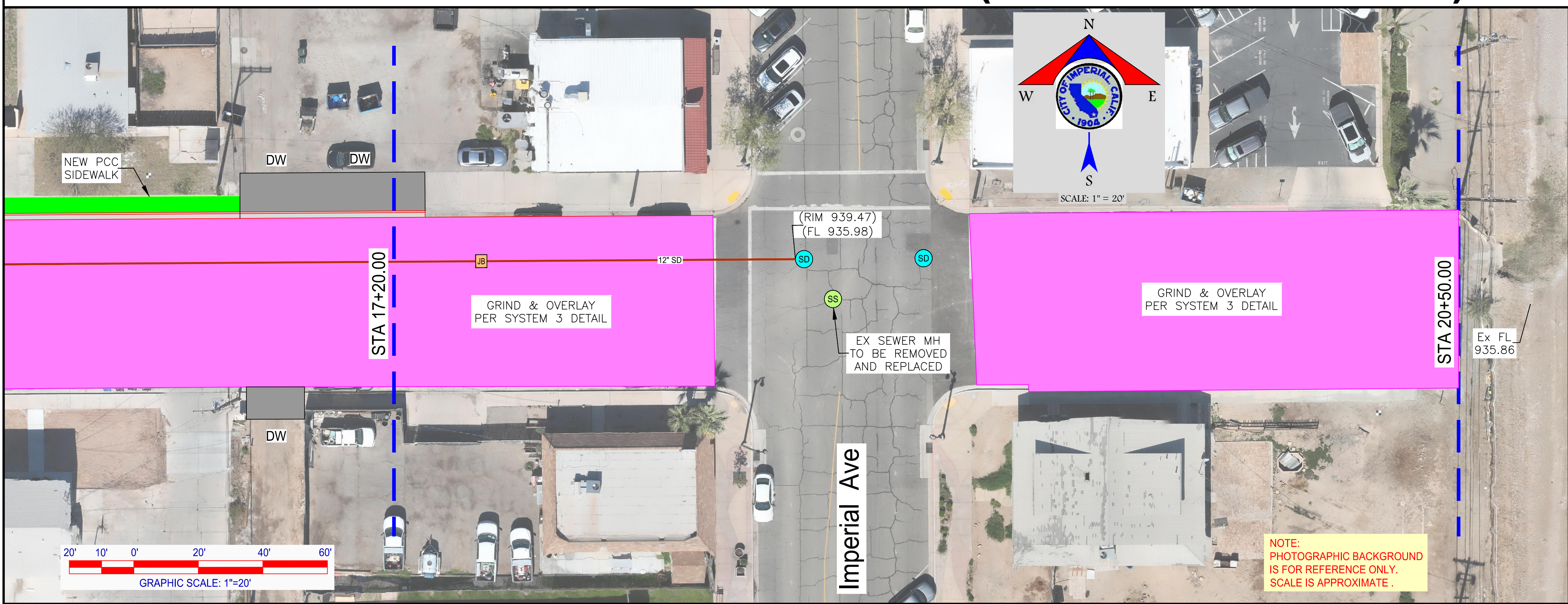
CITY OF IMPERIAL
 420 South Imperial Avenue
 Imperial, CA 92251
 Ph: (760) 355-3840 • Fax: (760)355-4718

COMMUNITY DEVELOPMENT DEPARTMENT
7TH, 10TH & 14TH STREETS REHABILITATION PROJECT
BID No. 2024-01
 7TH STREET - STORM DRAIN SYSTEM
 BETWEEN SOUTH "D" STREET & OLD SR-86
 DATE: 2024-04-03

SHEET
9
 OF **28** SHEETS



7th Street (Sta 11+75 to Sta 17+20)



7th Street (Sta 17+20 to Sta 20+50)

NO.	REVISIONS:	APPROVED	DATE

UNAUTHORIZED CHANGES & USES: The engineer preparing these plans will not be responsible for, or liable for, unauthorized changes to or uses of these plans. All changes to the plans must be in writing and must be approved by the preparer of these plans.



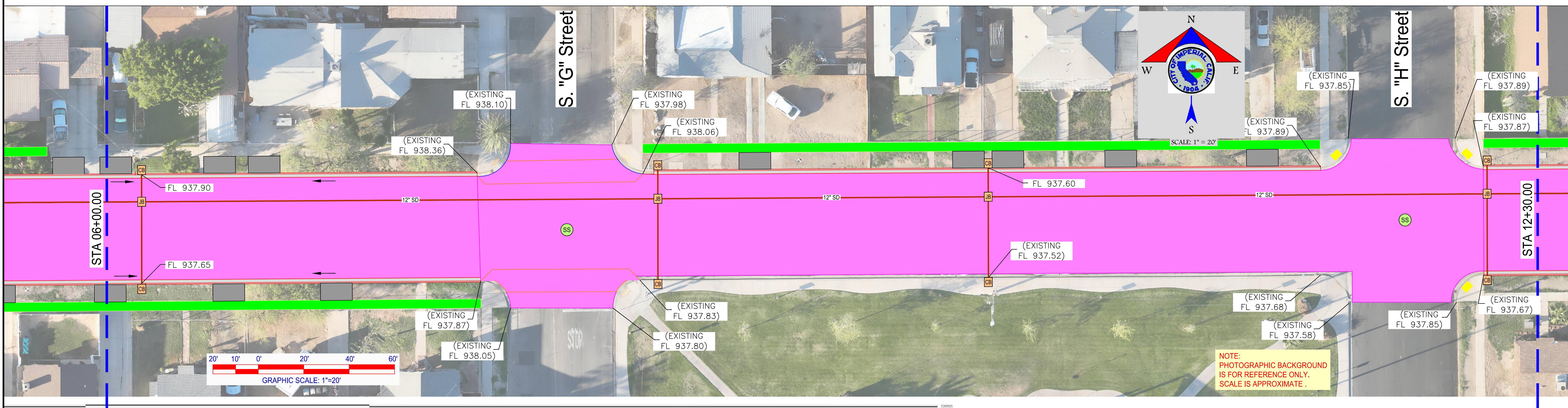
CITY OF IMPERIAL
 420 South Imperial Avenue
 Imperial, CA 92251
 Ph: (760) 355-3840 • Fax: (760)355-4718

COMMUNITY DEVELOPMENT DEPARTMENT
7TH, 10TH & 14TH STREETS REHABILITATION PROJECT
BID No. 2024-01
 7TH STREET - STORM DRAIN SYSTEM
 BETWEEN SOUTH "D" STREET & OLD SR-86
 DATE: 2024-04-03

SHEET **10**
 OF **28** SHEETS



10th Street (Sta 00+00 to Sta 06+00)



10th Street (Sta 06+00 to Sta 12+30)

NO.	REVISIONS:	APPROVED	DATE

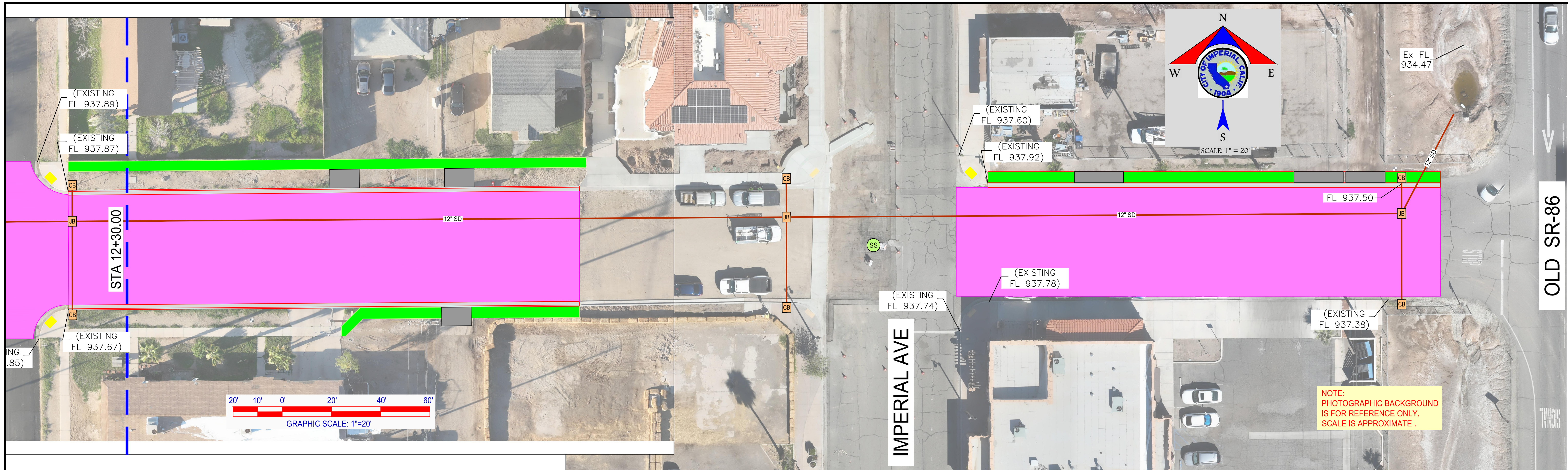
UNAUTHORIZED CHANGES & USES: The engineer preparing these plans will not be responsible for, or liable for, unauthorized changes to or uses of these plans. All changes to the plans must be in writing and must be approved by the preparer of these plans.



CITY OF IMPERIAL
 420 South Imperial Avenue
 Imperial, CA 92251
 Ph: (760) 355-3840 • Fax: (760)355-4718

COMMUNITY DEVELOPMENT DEPARTMENT
7TH, 10TH & 14TH STREETS REHABILITATION PROJECT
BID No. 2024-01
 10TH STREET - STORM DRAIN SYSTEM
 BETWEEN SOUTH "E" STREET & OLD SR-86
 DATE: 2024-04-03

SHEET **11**
 OF **28** SHEETS



10th Street (Sta 00+00 to Sta 06+00)

10th Street (Sta 06+00 to Sta 12+30)

NO.	REVISIONS:	APPROVED	DATE

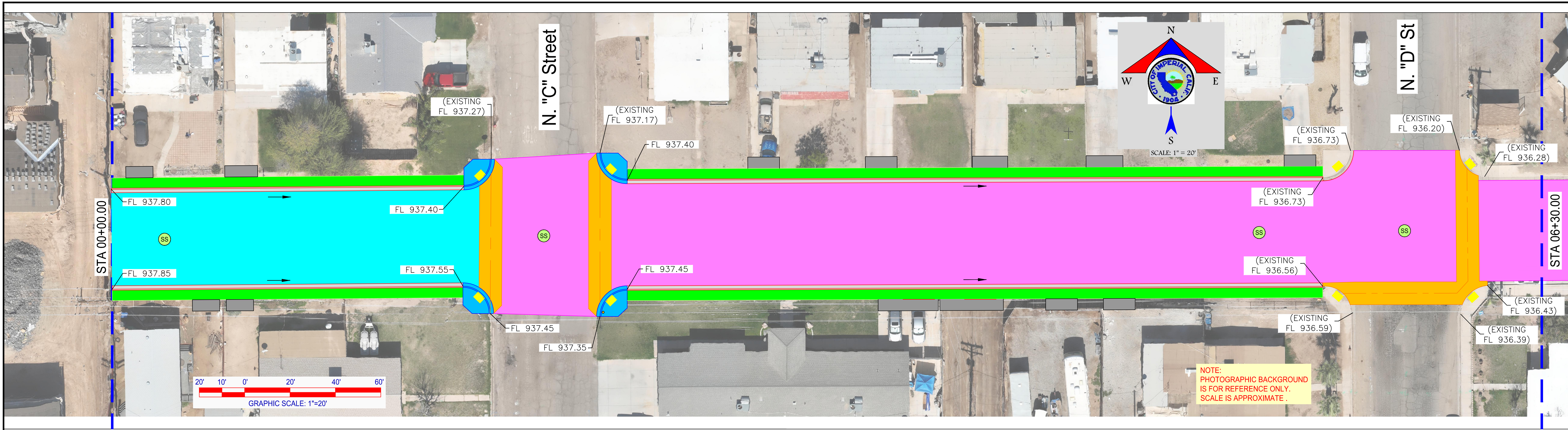
UNAUTHORIZED CHANGES & USES: The engineer preparing these plans will not be responsible for, or liable for, unauthorized changes to or uses of these plans. All changes to the plans must be in writing and must be approved by the preparer of these plans.



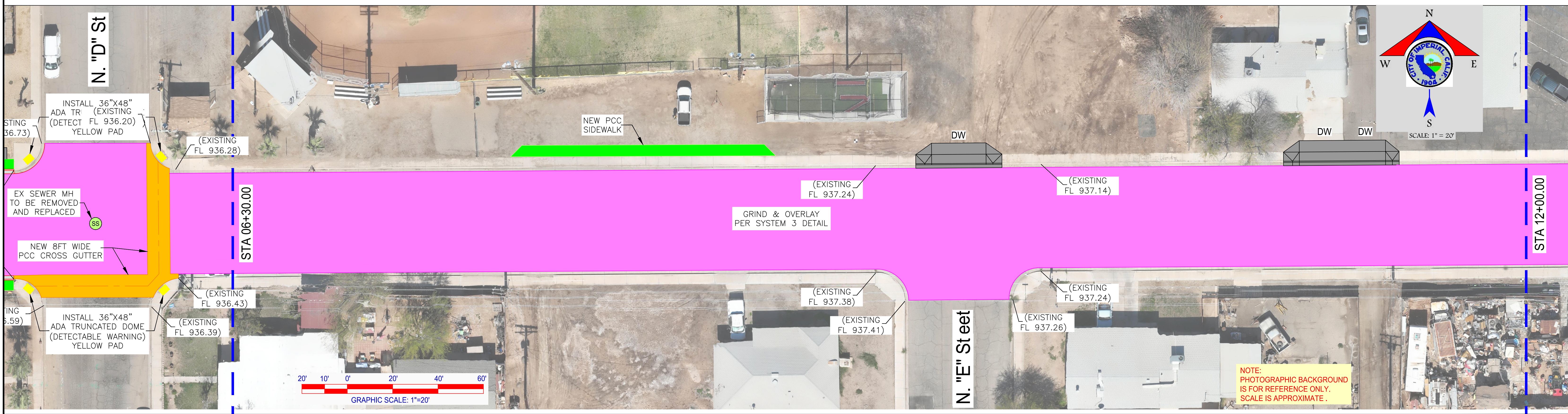
CITY OF IMPERIAL
 420 South Imperial Avenue
 Imperial, CA 92251
 Ph: (760) 355-3840 • Fax: (760)355-4718

COMMUNITY DEVELOPMENT DEPARTMENT
7TH, 10TH & 14TH STREETS REHABILITATION PROJECT
BID No. 2024-01
 10TH STREET - STORM DRAIN SYSTEM
 BETWEEN SOUTH "E" STREET & OLD SR-86
 DATE: 2024-04-03

SHEET **12**
 OF **28** SHEETS



14th Street (Sta 00+00 to Sta 06+30)



14th Street (Sta 06+30 to Sta 12+00)

NO.	REVISIONS:	APPROVED	DATE

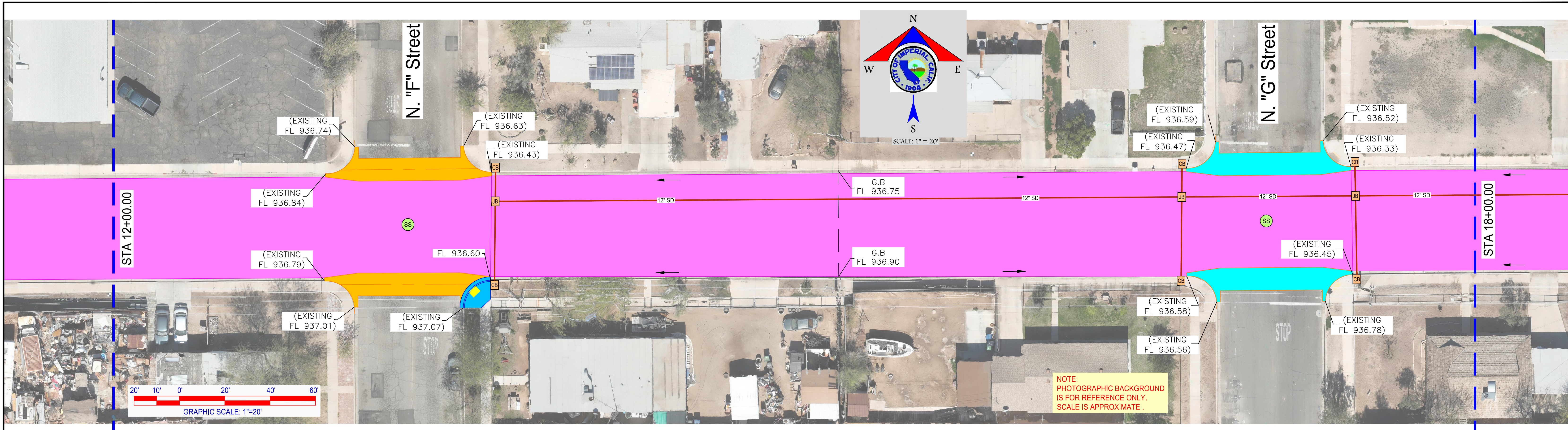
UNAUTHORIZED CHANGES & USES: The engineer preparing these plans will not be responsible for, or liable for, unauthorized changes to or uses of these plans. All changes to the plans must be in writing and must be approved by the preparer of these plans.



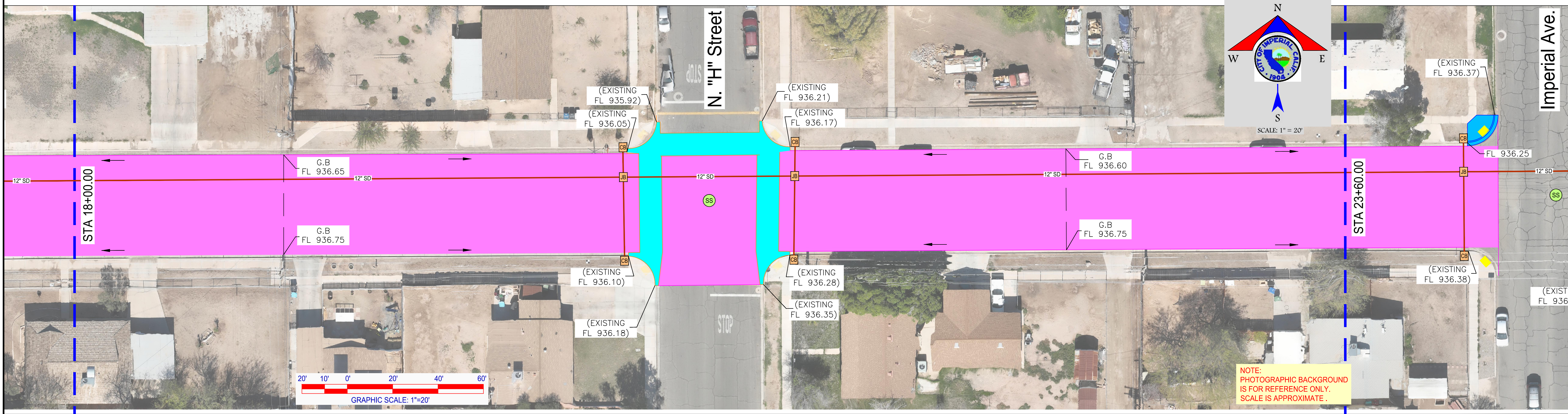
CITY OF IMPERIAL
 420 South Imperial Avenue
 Imperial, CA 92251
 Ph: (760) 355-3840 • Fax: (760)355-4718

COMMUNITY DEVELOPMENT DEPARTMENT
7TH, 10TH & 14TH STREETS REHABILITATION PROJECT
BID No. 2024-01
 14TH STREET - STORM DRAIN SYSTEM
 FROM 170' WEST OF N. "C" STREET TO OLD SR-86
 DATE: 2024-04-03

SHEET **13**
 OF **28** SHEETS



14th Street (Sta 12+00 to Sta 18+00)



14th Street (Sta 18+00 to Sta 23+60)

NO.	REVISIONS:	APPROVED	DATE

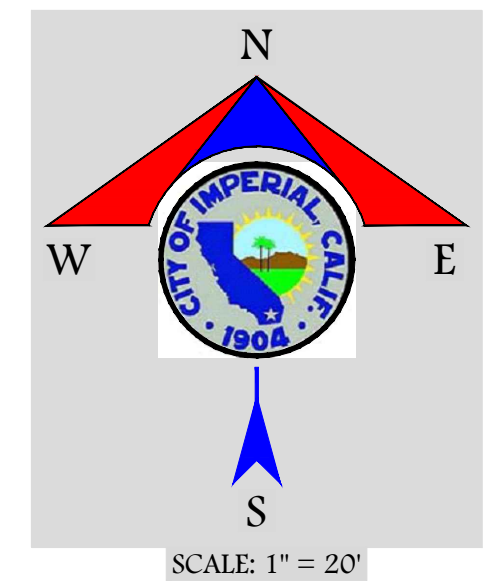
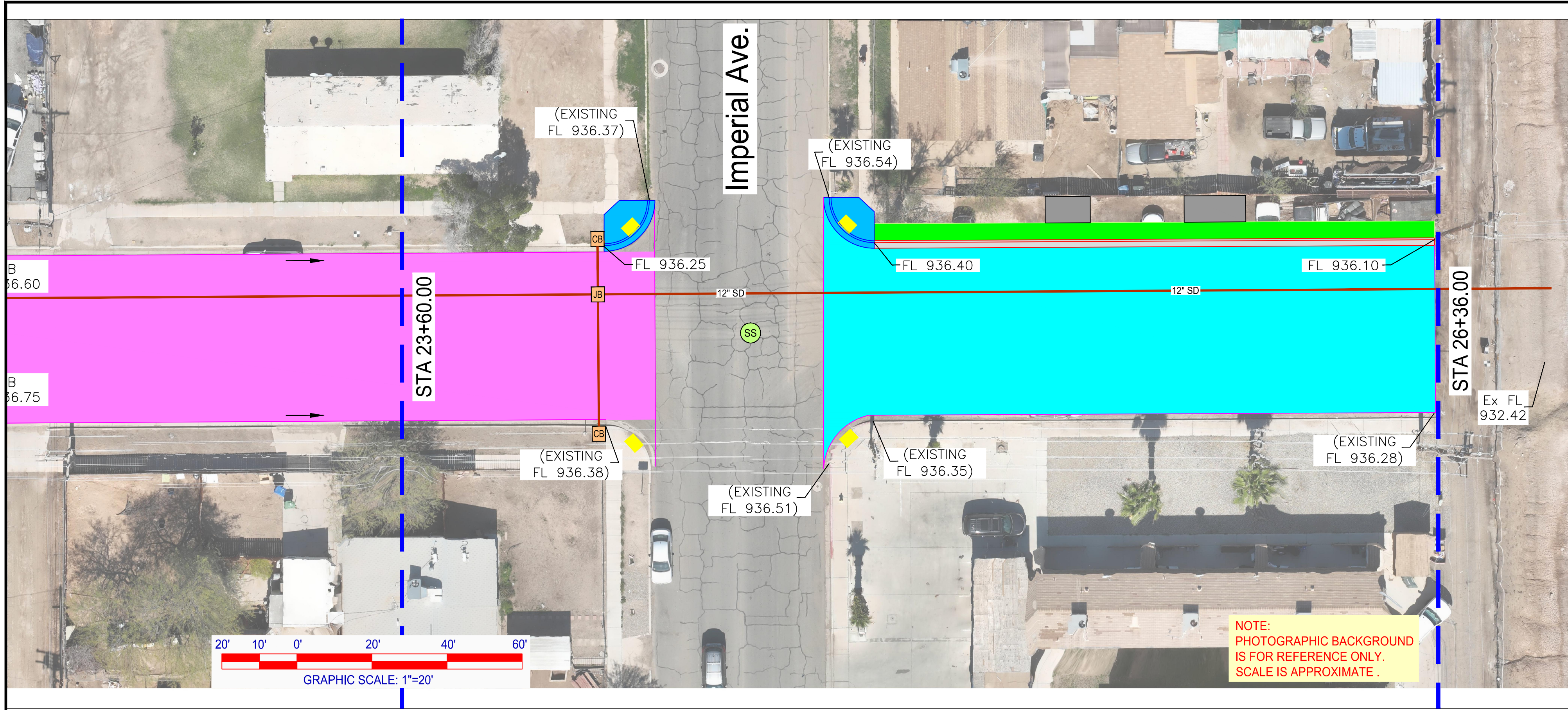
UNAUTHORIZED CHANGES & USES: The engineer preparing these plans will not be responsible for, or liable for, unauthorized changes to or uses of these plans. All changes to the plans must be in writing and must be approved by the preparer of these plans.



CITY OF IMPERIAL
 420 South Imperial Avenue
 Imperial, CA 92251
 Ph: (760) 355-3840 • Fax: (760)355-4718

COMMUNITY DEVELOPMENT DEPARTMENT
7TH, 10TH & 14TH STREETS REHABILITATION PROJECT
BID No. 2024-01
 14TH STREET - STORM DRAIN SYSTEM
 FROM 170' WEST OF N. "C" STREET TO OLD SR-86
 DATE: 2024-04-03

SHEET **14**
 OF **28** SHEETS



NOTE:
PHOTOGRAPHIC BACKGROUND
IS FOR REFERENCE ONLY.
SCALE IS APPROXIMATE.

14th Street (Sta 23+60 to Sta 26+36)

NO.	REVISIONS:	APPROVED	DATE

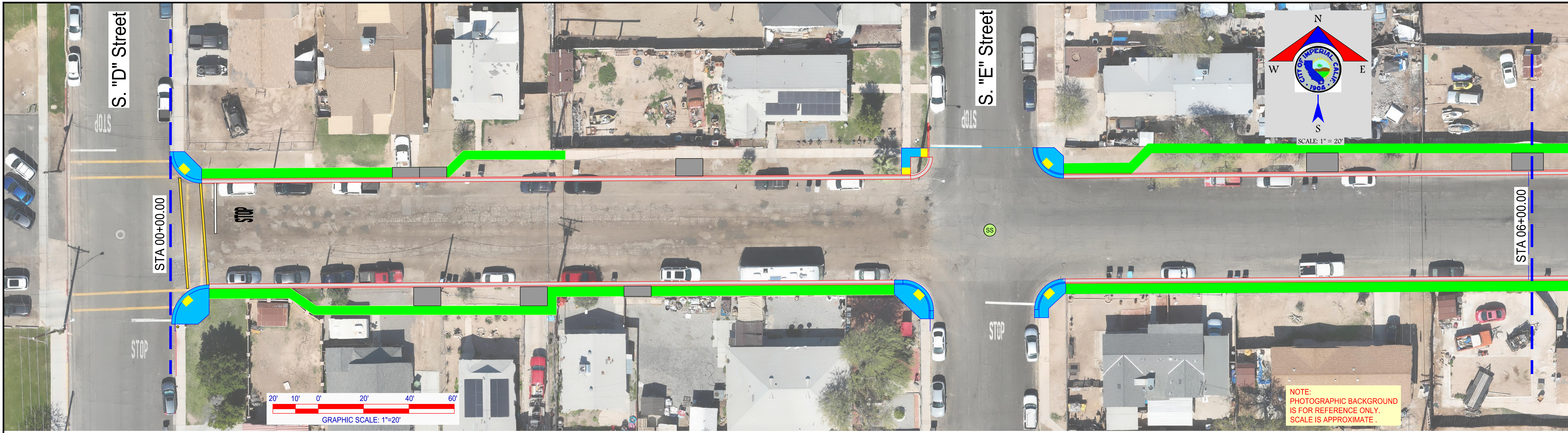
UNAUTHORIZED CHANGES & USES: The engineer preparing these plans will not be responsible for, or liable for, unauthorized changes to or uses of these plans. All changes to the plans must be in writing and must be approved by the preparer of these plans.



CITY OF IMPERIAL
420 South Imperial Avenue
Imperial, CA 92251
Ph: (760) 355-3840 • Fax: (760)355-4718

COMMUNITY DEVELOPMENT DEPARTMENT
7TH, 10TH & 14TH STREETS REHABILITATION PROJECT
BID No. 2024-01
14TH STREET - STORM DRAIN SYSTEM
FROM 170' WEST OF N. "C" STREET TO OLD SR-86
DATE: 2024-04-03

SHEET **15**
OF **28** SHEETS



7th Street (Sta 00+00 to Sta 06+00)



7th Street (Sta 06+00 to Sta 11+75)

NO.	REVISIONS:	APPROVED	DATE

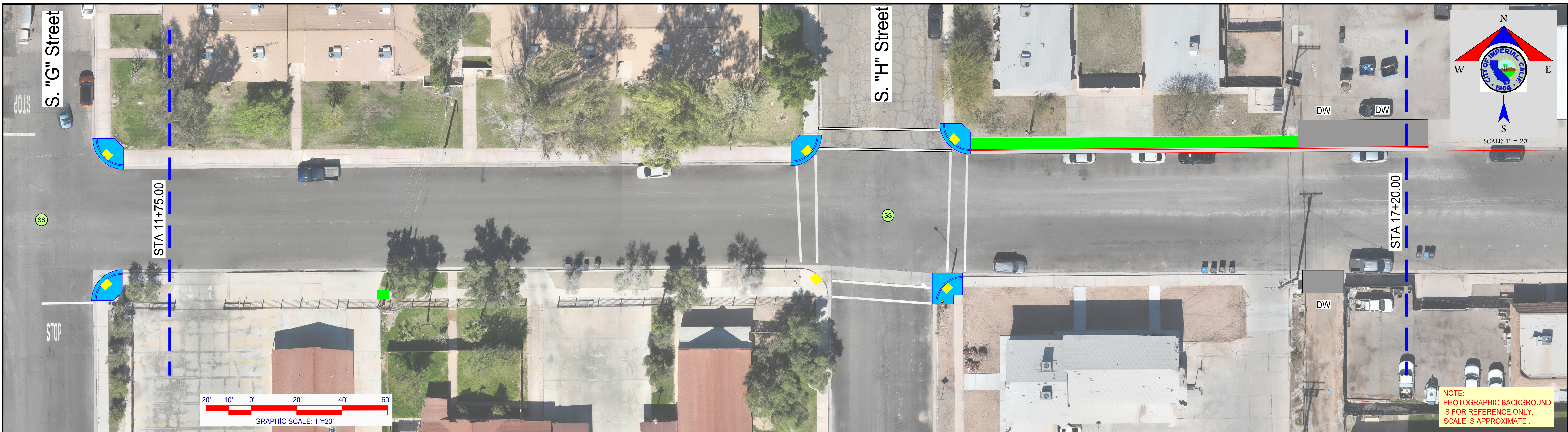
UNAUTHORIZED CHANGES & USES: The engineer preparing these plans will not be responsible for, or liable for, unauthorized changes to or uses of these plans. All changes to the plans must be in writing and must be approved by the preparer of these plans.



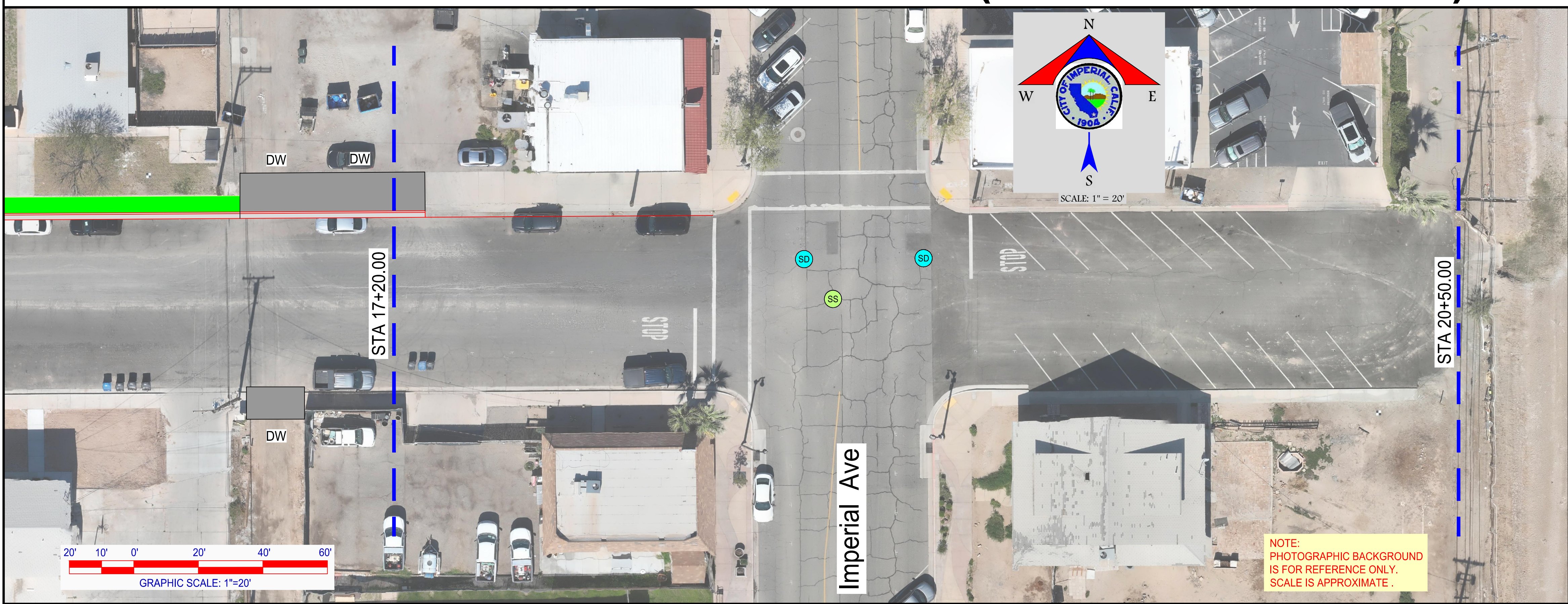
CITY OF IMPERIAL
 420 South Imperial Avenue
 Imperial, CA 92251
 Ph: (760) 355-3840 • Fax: (760)355-4718

COMMUNITY DEVELOPMENT DEPARTMENT
7TH, 10TH & 14TH STREETS REHABILITATION PROJECT
BID No. 2024-01
 7TH STREET - STRIPING PLAN
 BETWEEN SOUTH "D" STREET & OLD SR-86
 DATE: 2024-04-03

SHEET **16**
 OF **28** SHEETS



7th Street (Sta 11+75 to Sta 17+20)



7th Street (Sta 17+20 to Sta 20+50)

NO.	REVISIONS:	APPROVED	DATE

UNAUTHORIZED CHANGES & USES: The engineer preparing these plans will not be responsible for, or liable for, unauthorized changes to or uses of these plans. All changes to the plans must be in writing and must be approved by the preparer of these plans.



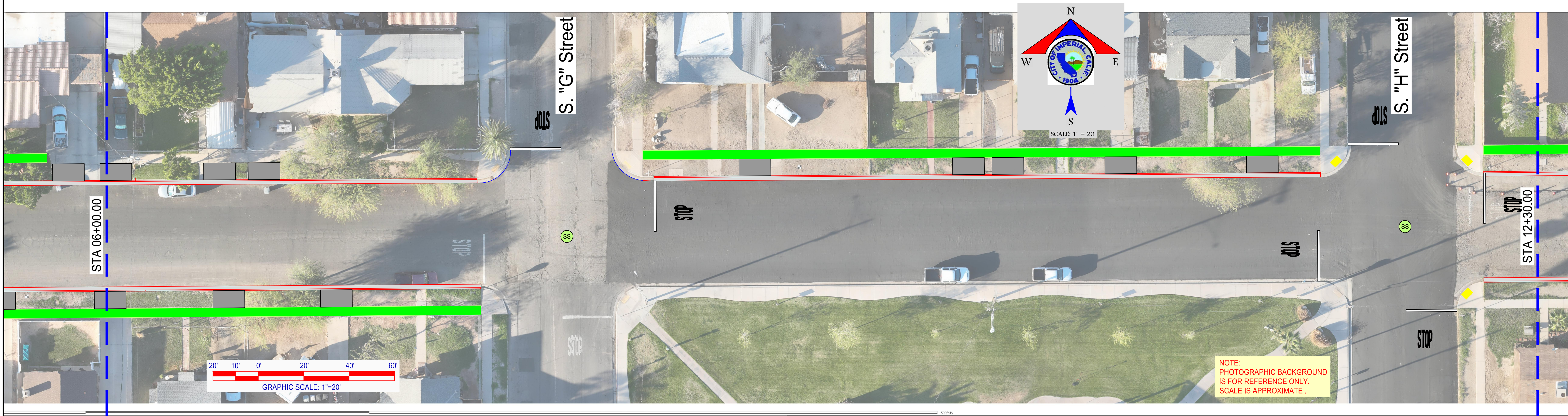
CITY OF IMPERIAL
 420 South Imperial Avenue
 Imperial, CA 92251
 Ph: (760) 355-3840 • Fax: (760)355-4718

COMMUNITY DEVELOPMENT DEPARTMENT
7TH, 10TH & 14TH STREETS REHABILITATION PROJECT
BID No. 2024-01
 7TH STREET - STRIPING PLAN
 BETWEEN SOUTH "D" STREET & OLD SR-86
 DATE: 2024-04-03

SHEET
17
 OF **28** SHEETS



10th Street (Sta 00+00 to Sta 06+00)



10th Street (Sta 06+00 to Sta 12+30)

NO.	REVISIONS:	APPROVED	DATE

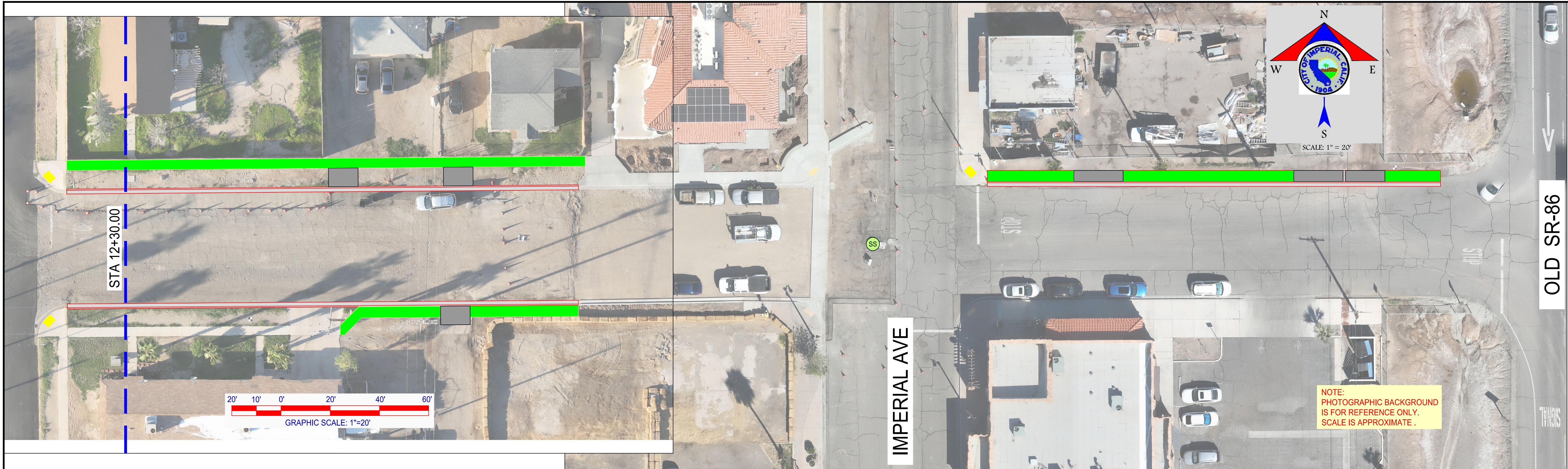
UNAUTHORIZED CHANGES & USES: The engineer preparing these plans will not be responsible for, or liable for, unauthorized changes to or uses of these plans. All changes to the plans must be in writing and must be approved by the preparer of these plans.



CITY OF IMPERIAL
 420 South Imperial Avenue
 Imperial, CA 92251
 Ph: (760) 355-3840 • Fax: (760)355-4718

COMMUNITY DEVELOPMENT DEPARTMENT
7TH, 10TH & 14TH STREETS REHABILITATION PROJECT
BID No. 2024-01
 10TH STREET - STRIPING PLANS
 BETWEEN SOUTH "E" STREET & OLD SR-86
 DATE: 2024-04-03

SHEET **18**
 OF **28** SHEETS



10th Street (Sta 00+00 to Sta 06+00)

10th Street (Sta 06+00 to Sta 12+30)

NO.	REVISIONS:	APPROVED	DATE

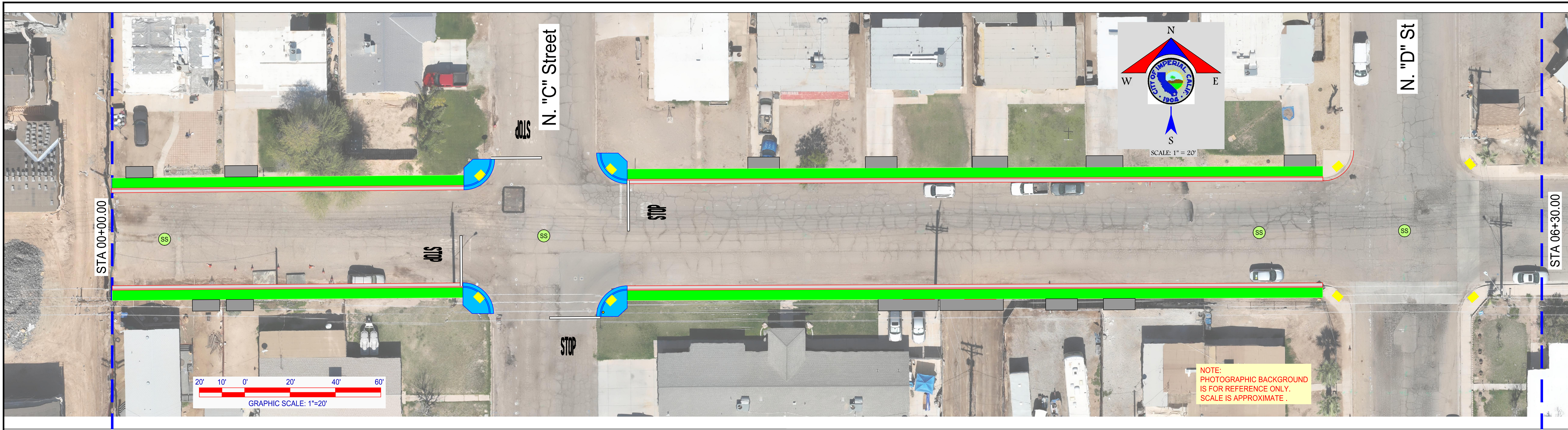
UNAUTHORIZED CHANGES & USES: The engineer preparing these plans will not be responsible for, or liable for, unauthorized changes to or uses of these plans. All changes to the plans must be in writing and must be approved by the preparer of these plans.



CITY OF IMPERIAL
 420 South Imperial Avenue
 Imperial, CA 92251
 Ph: (760) 355-3840 • Fax: (760)355-4718

COMMUNITY DEVELOPMENT DEPARTMENT
7TH, 10TH & 14TH STREETS REHABILITATION PROJECT
BID No. 2024-01
 10TH STREET - STRIPING PLAN
 BETWEEN SOUTH "E" STREET & OLD SR-86
 DATE: 2024-04-03

SHEET **19**
 OF **28** SHEETS



14th Street (Sta 00+00 to Sta 06+30)



14th Street (Sta 06+30 to Sta 12+00)

NO.	REVISIONS:	APPROVED	DATE

UNAUTHORIZED CHANGES & USES: The engineer preparing these plans will not be responsible for, or liable for, unauthorized changes to or uses of these plans. All changes to the plans must be in writing and must be approved by the preparer of these plans.



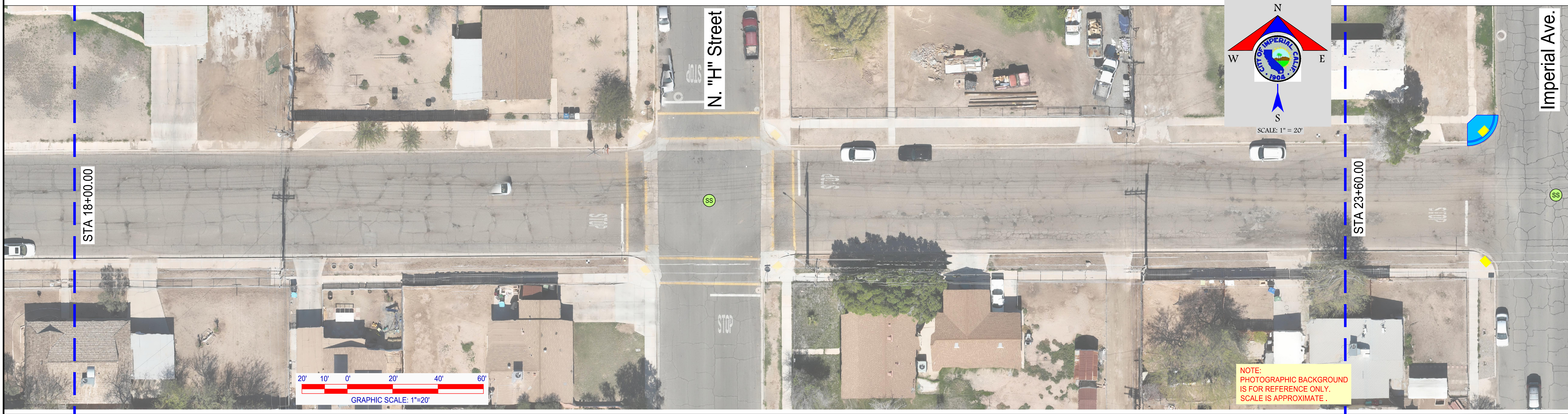
CITY OF IMPERIAL
 420 South Imperial Avenue
 Imperial, CA 92251
 Ph: (760) 355-3840 • Fax: (760)355-4718

COMMUNITY DEVELOPMENT DEPARTMENT
7TH, 10TH & 14TH STREETS REHABILITATION PROJECT
BID No. 2024-01
 14TH STREET - STRIPING PLAN
 FROM 170' WEST OF N. "C" STREET TO OLD SR-86
 DATE: 2024-04-03

SHEET **20**
 OF **28** SHEETS



14th Street (Sta 12+00 to Sta 18+00)



14th Street (Sta 18+00 to Sta 23+60)

NO.	REVISIONS:	APPROVED	DATE

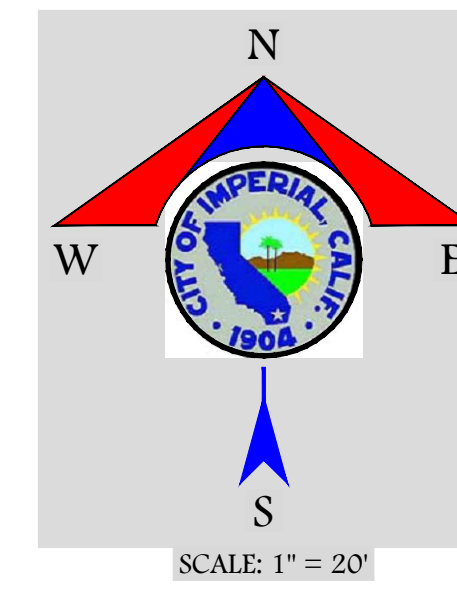
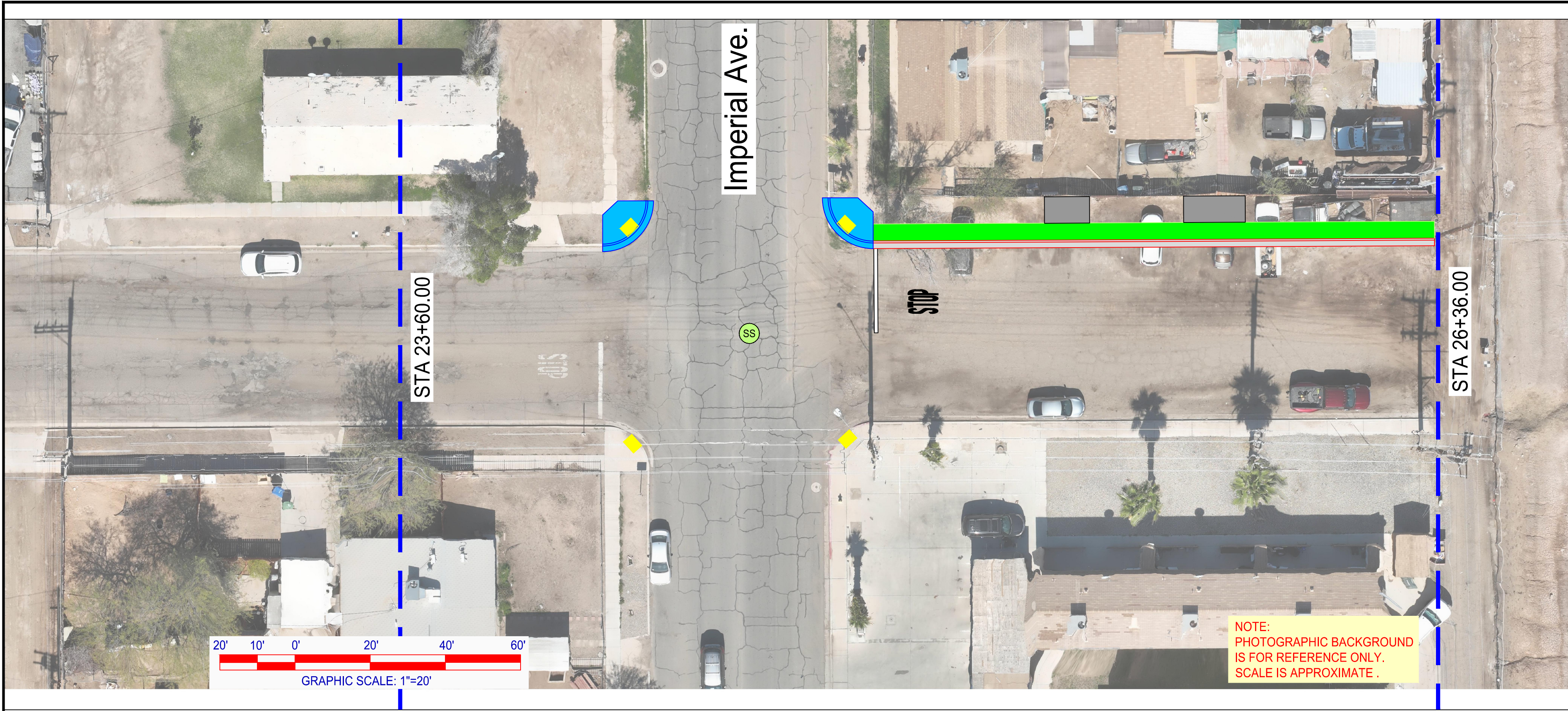
UNAUTHORIZED CHANGES & USES: The engineer preparing these plans will not be responsible for, or liable for, unauthorized changes to or uses of these plans. All changes to the plans must be in writing and must be approved by the preparer of these plans.



CITY OF IMPERIAL
 420 South Imperial Avenue
 Imperial, CA 92251
 Ph: (760) 355-3840 • Fax: (760)355-4718

COMMUNITY DEVELOPMENT DEPARTMENT
7TH, 10TH & 14TH STREETS REHABILITATION PROJECT
BID No. 2024-01
 14TH STREET - STRIPING PLAN
 FROM 170' WEST OF N. "C" STREET TO OLD SR-86
 DATE: 2024-04-03

SHEET **21**
 OF **28** SHEETS



14th Street (Sta 23+60 to Sta 26+36)

NO.	REVISIONS:	APPROVED	DATE

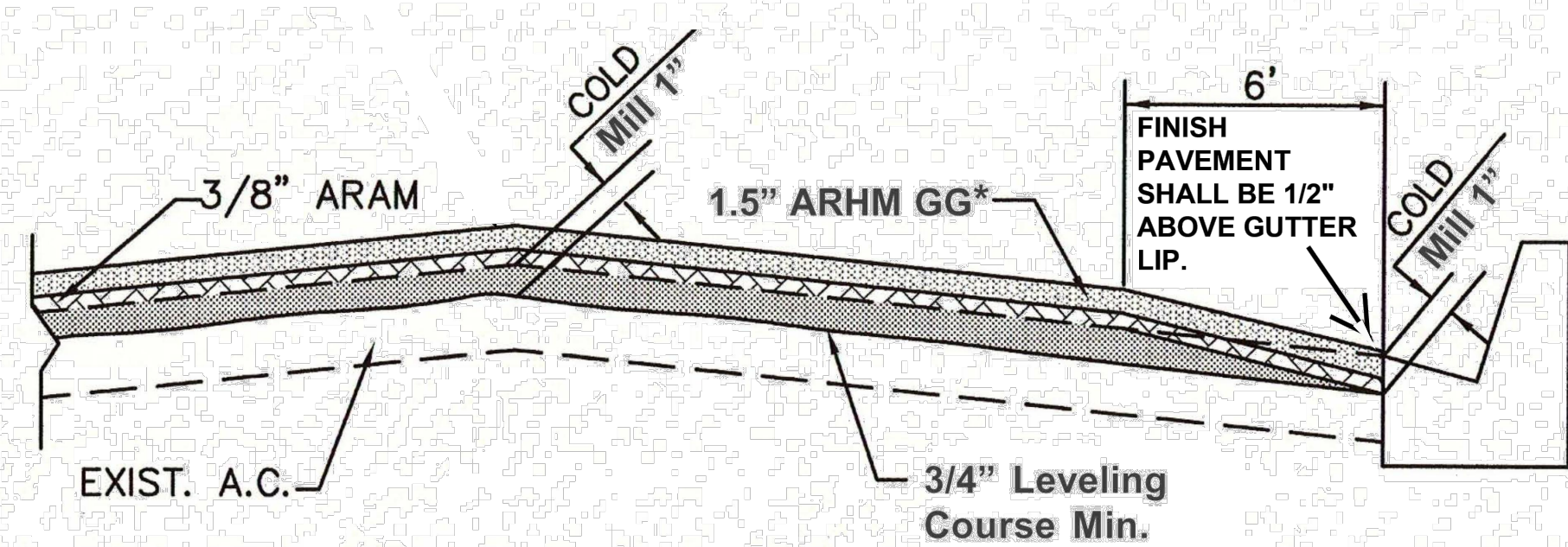
UNAUTHORIZED CHANGES & USES: The engineer preparing these plans will not be responsible for, or liable for, unauthorized changes to or uses of these plans. All changes to the plans must be in writing and must be approved by the preparer of these plans.



CITY OF IMPERIAL
 420 South Imperial Avenue
 Imperial, CA 92251
 Ph: (760) 355-3840 • Fax: (760)355-4718

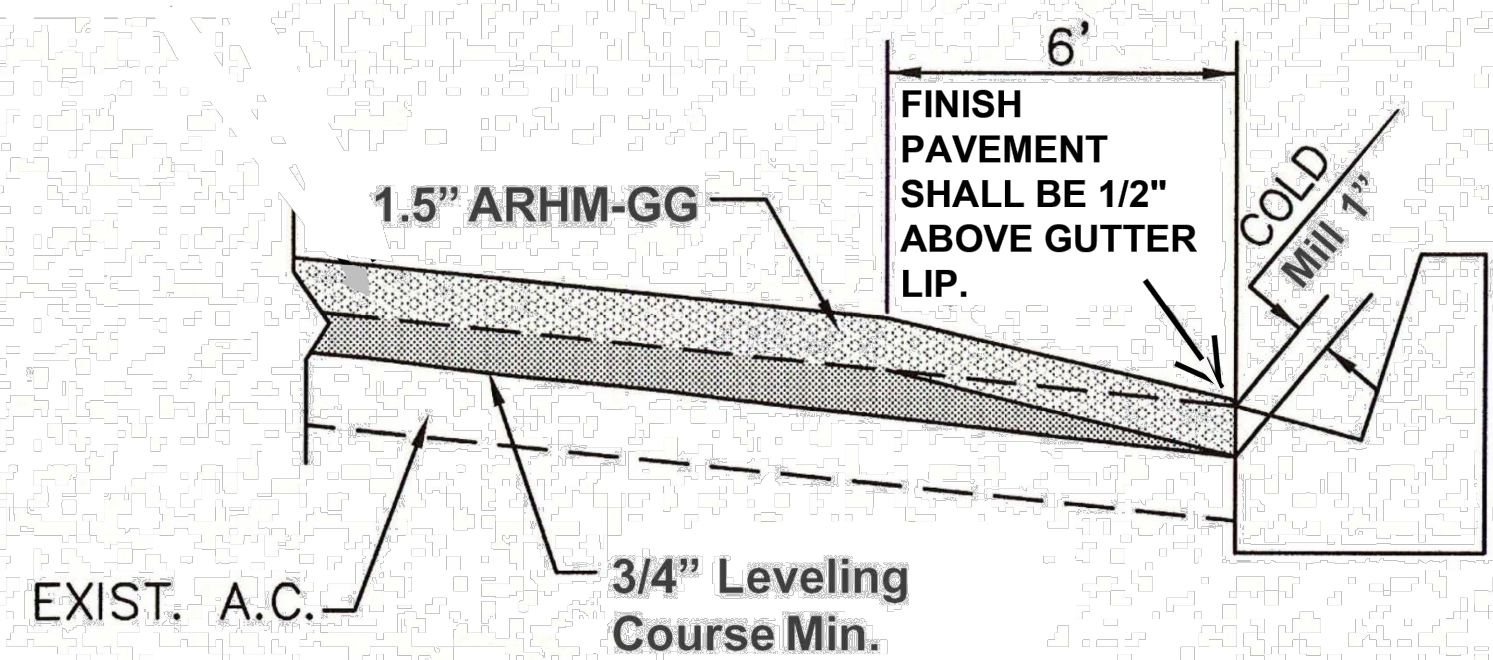
COMMUNITY DEVELOPMENT DEPARTMENT
7TH, 10TH & 14TH STREETS REHABILITATION PROJECT
BID No. 2024-01
 14TH STREET - STRIPING PLAN
 FROM 170' WEST OF N. "C" STREET TO OLD SR-86
DATE: 2024-04-03

SHEET
22
 OF **28** SHEETS

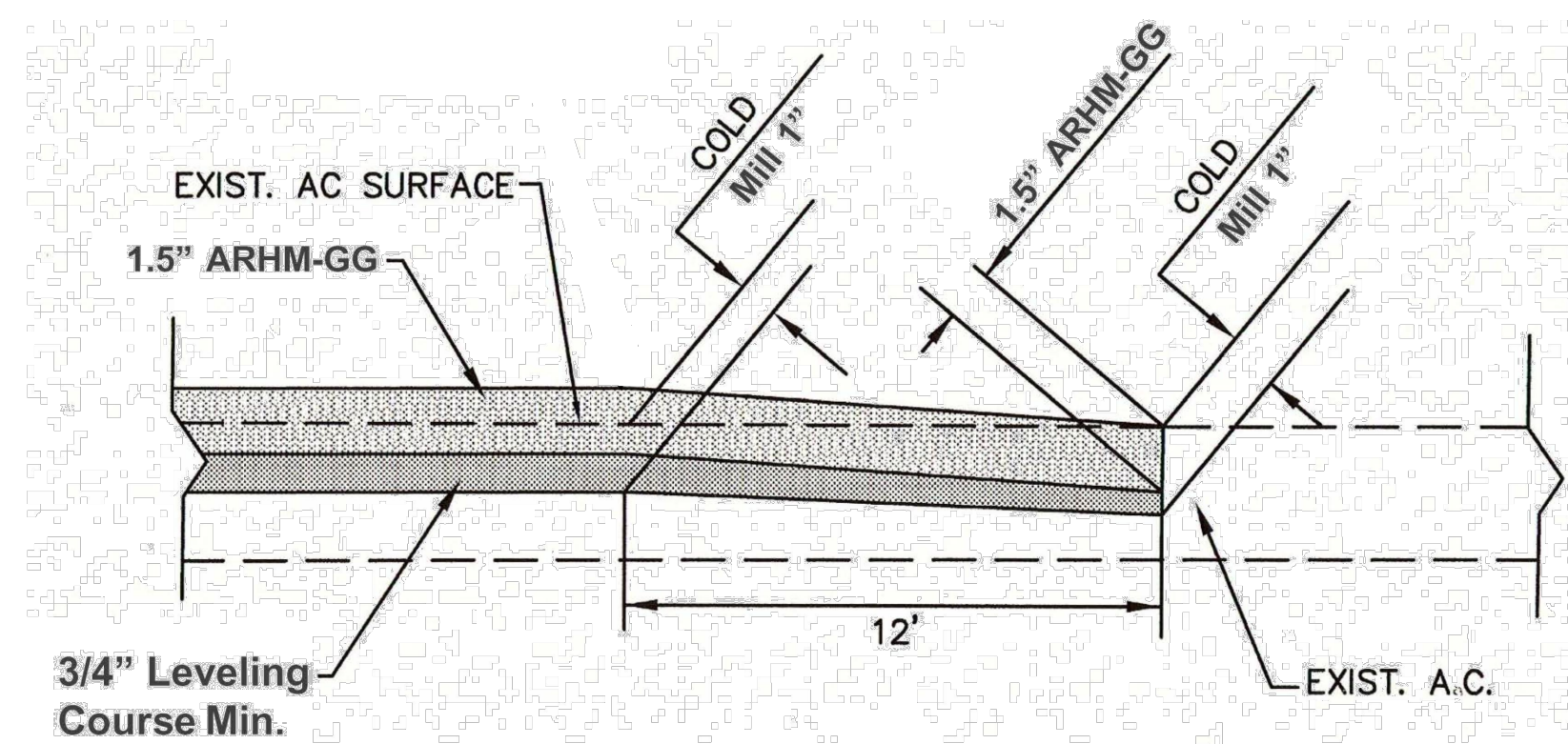


*EXCEPT AS OTHERWISE SPECIFIED

SYSTEM 3
ARHM-GG ON ARAM OVER LEVELING COURSE



INTERSECTION APPROACH SYSTEM 3
CROSS-SECTION



TERMINATION JOIN SYSTEM 3 INTERSECTION

NOTE:

SEE PART III OF THE "CONTRACT DOCUMENTS AND SPECIFICATIONS", PAGES 102 THRU 122,
FOR ASPHALT GRINDING AND OVERLAY SPECIFICATIONS

NO.	REVISIONS:	APPROVED	DATE

UNAUTHORIZED CHANGES & USES: The engineer preparing these plans will not be responsible for, or liable for, unauthorized changes to or uses of these plans. All changes to the plans must be in writing and must be approved by the preparer of these plans.



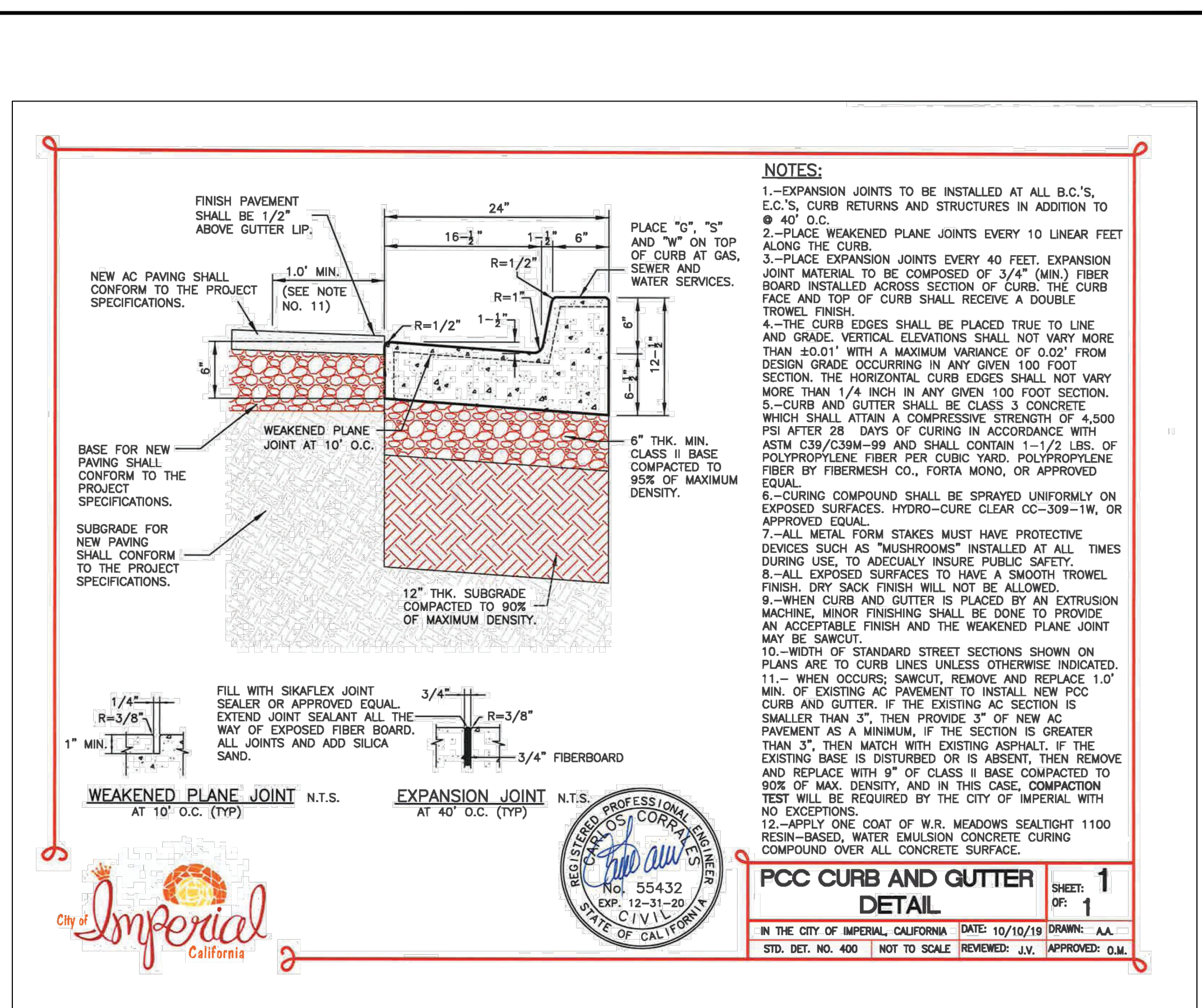
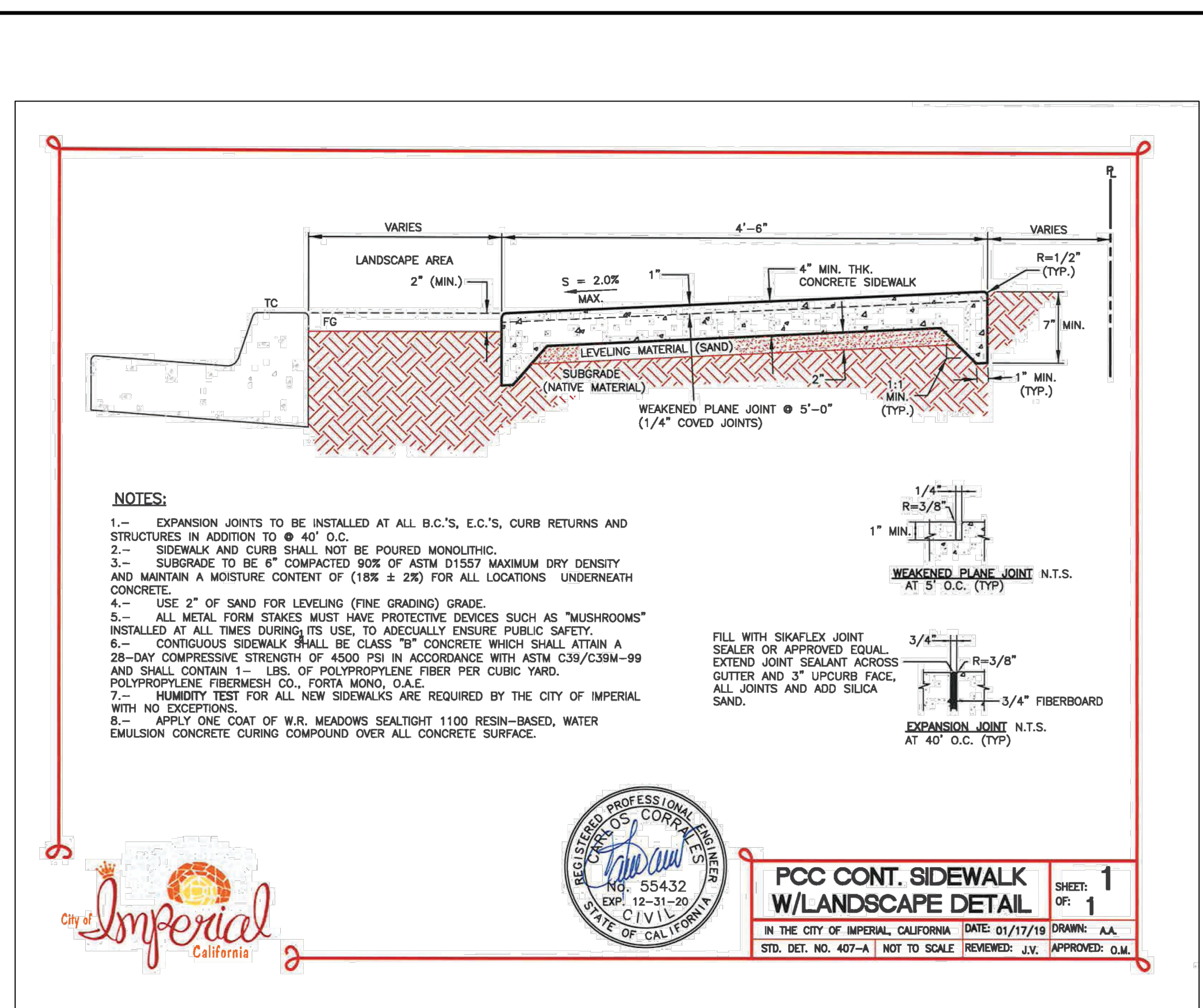
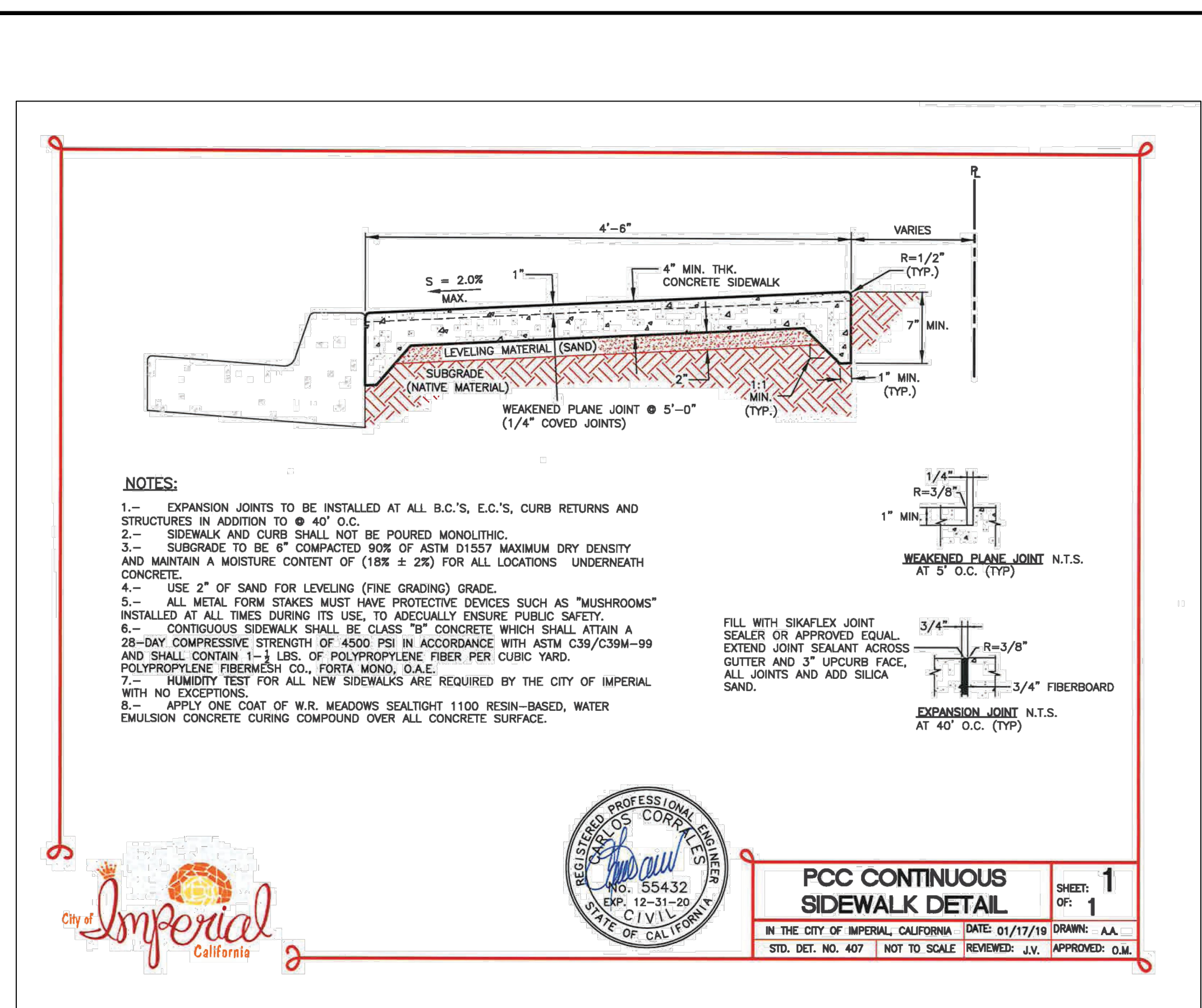
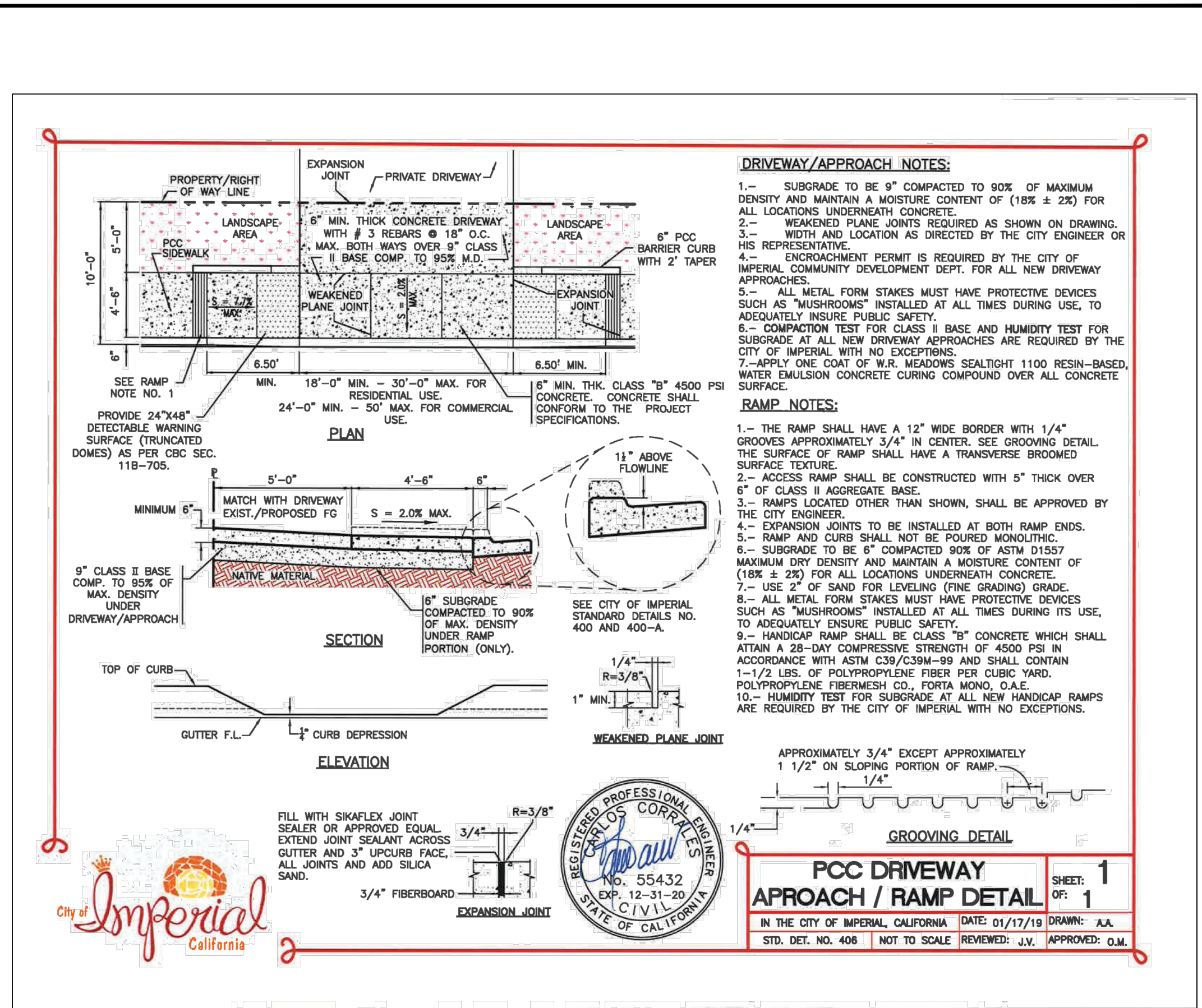
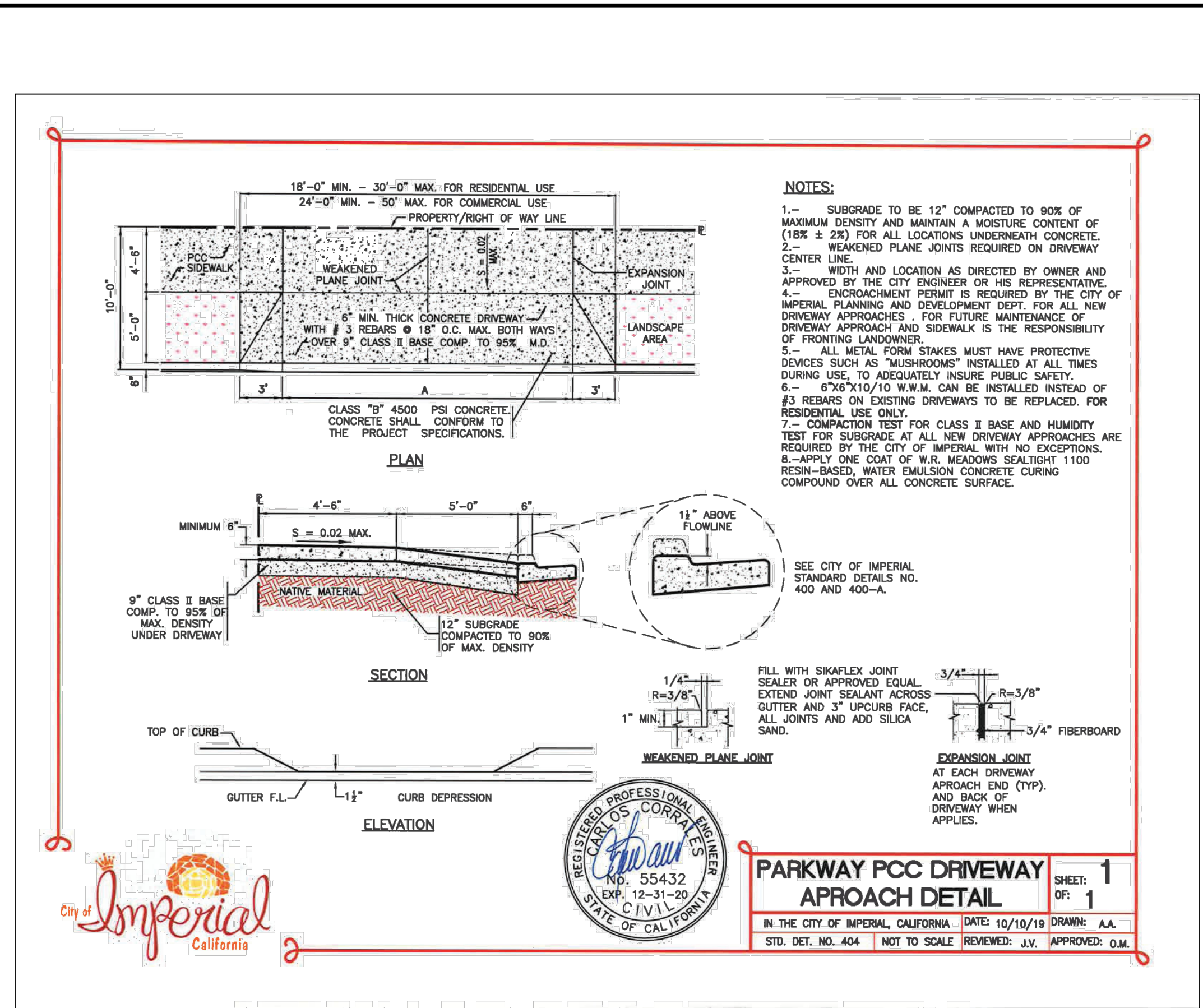
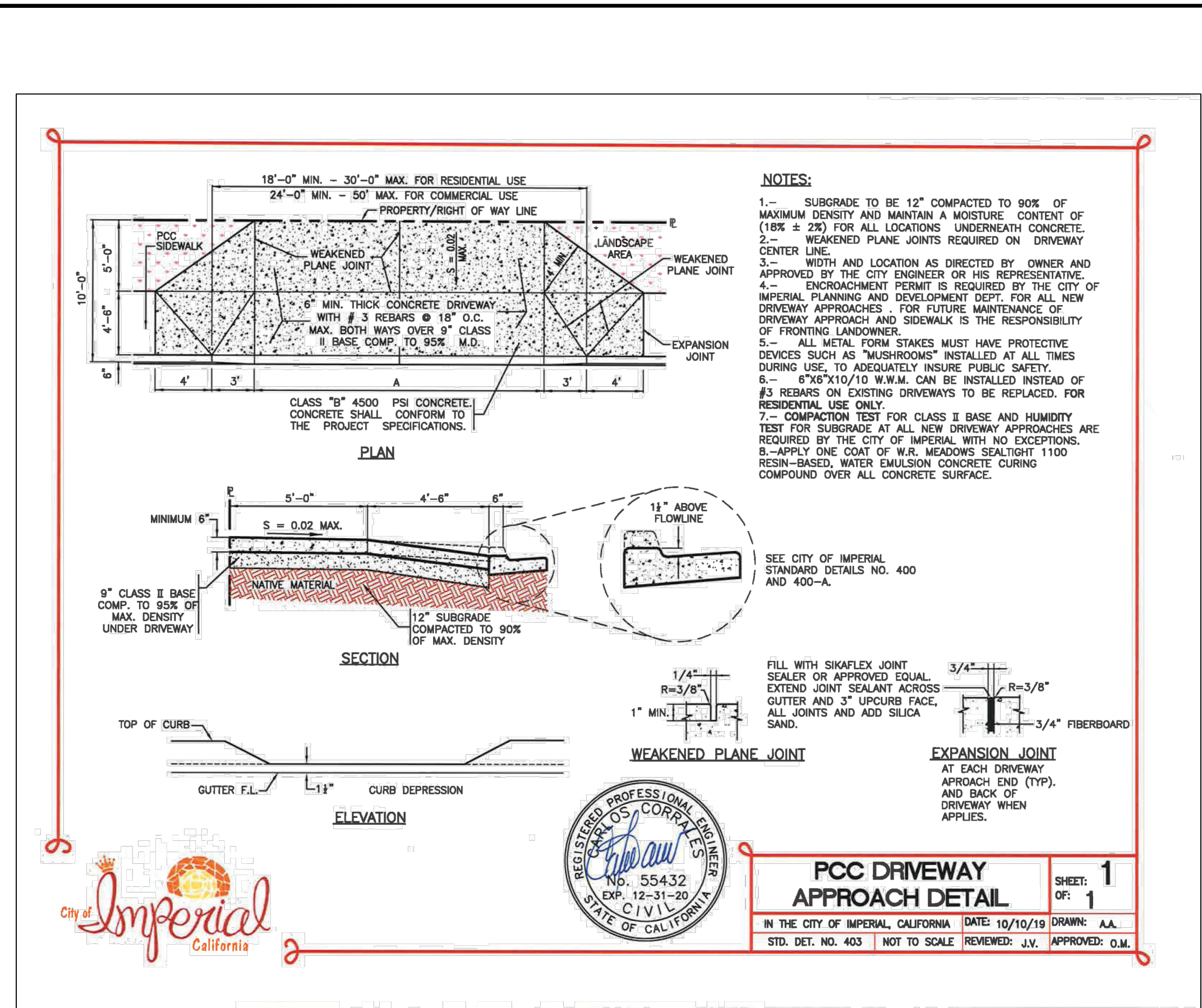
CITY OF IMPERIAL

420 South Imperial Avenue
Imperial, CA 92251
Ph: (760) 355-3840 • Fax: (760)355-4718

COMMUNITY DEVELOPMENT DEPARTMENT
7TH, 10TH & 14TH STREETS REHABILITATION PROJECT
BID NO. 2024-01
DETAIL SHEET

DATE: 2024-04-03

SHEET **23**
OF **28** SHEETS

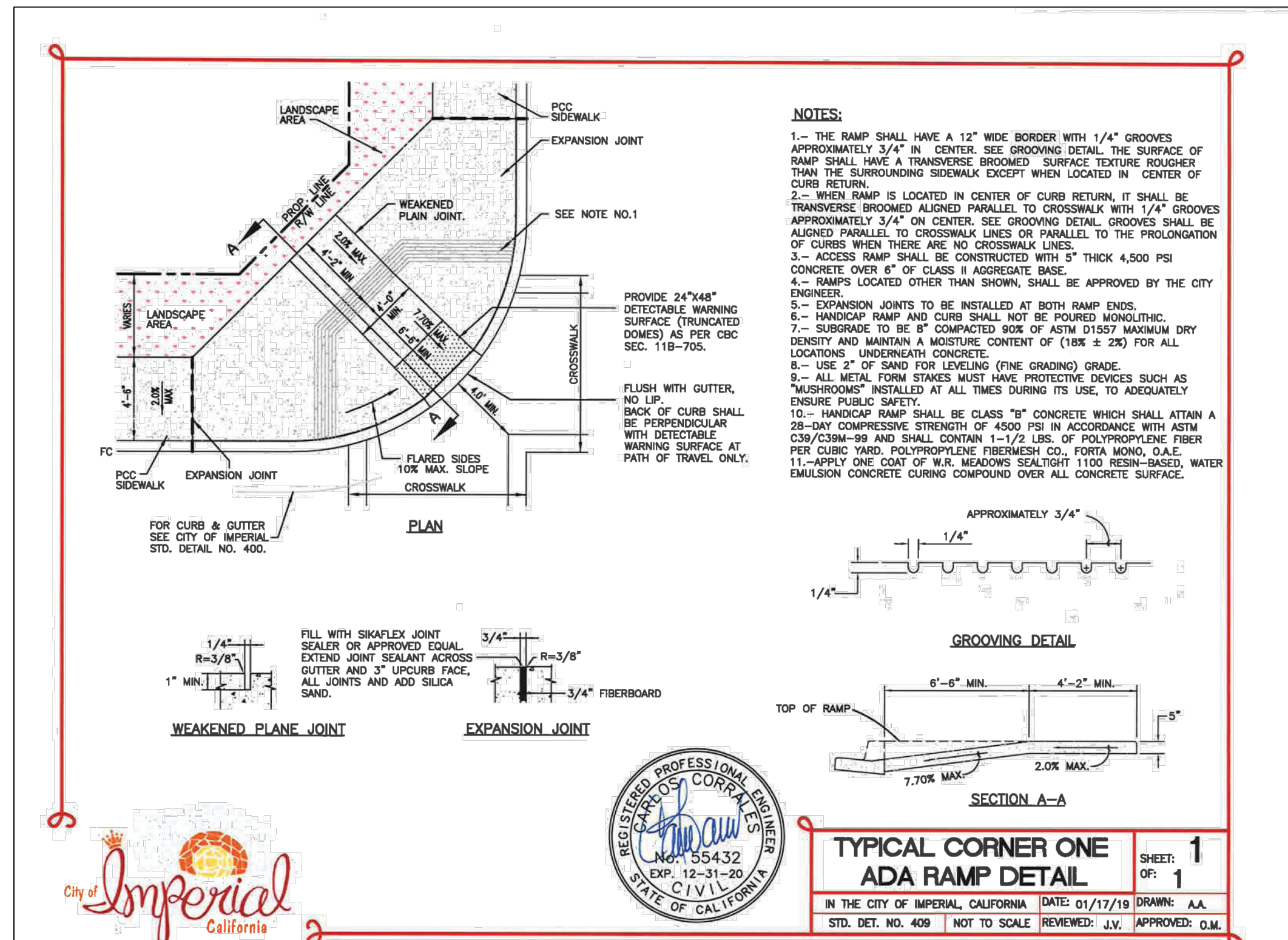


NO.	REVISIONS:	APPROVED	DATE

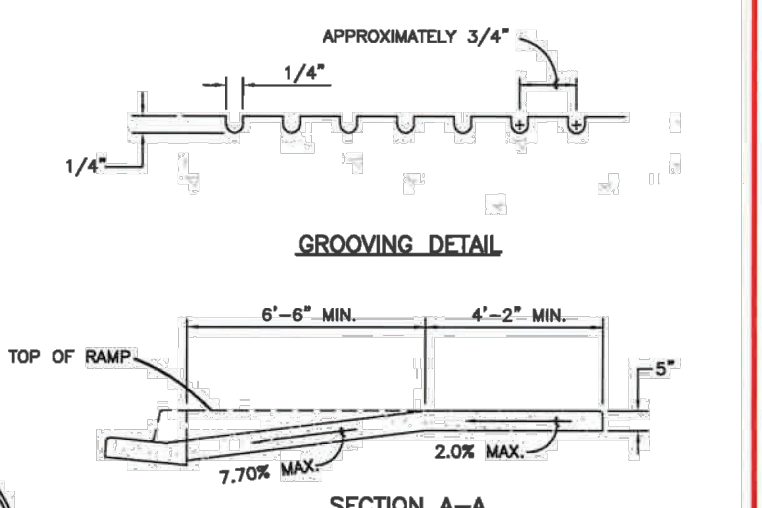
UNAUTHORIZED CHANGES & USES: The engineer preparing these plans will not be responsible for, or liable for, unauthorized changes to or uses of these plans. All changes to the plans must be in writing and must be approved by the preparer of these plans.



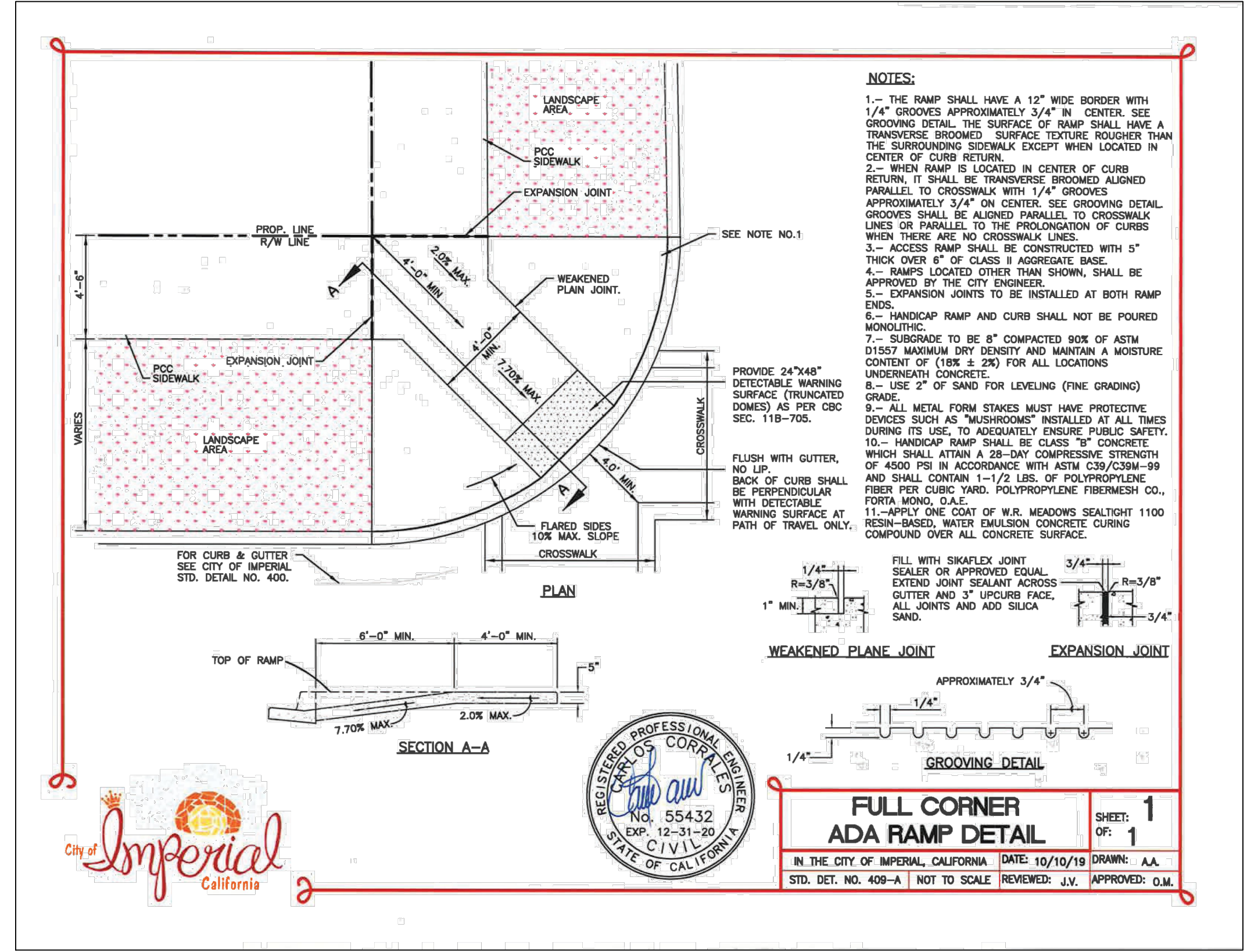
CITY OF IMPERIAL
 420 South Imperial Avenue
 Imperial, CA 92251
 Ph: (760) 355-3840 • Fax: (760)355-4718



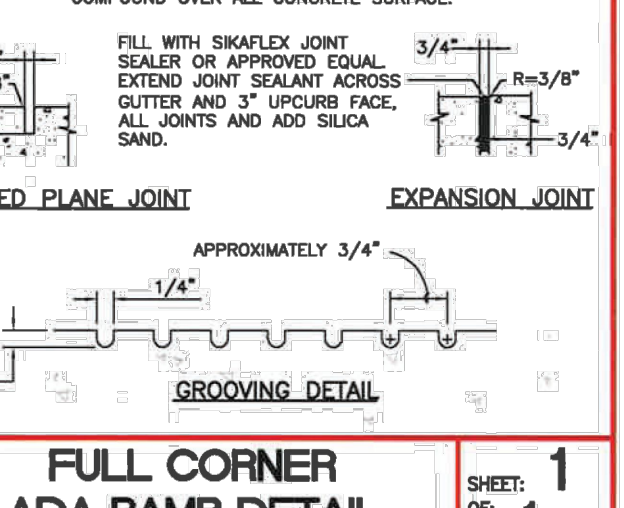
- NOTES:**
- 1.- THE RAMP SHALL HAVE A 12" WIDE BORDER WITH 1/4" GROOVES APPROXIMATELY 3/4" IN CENTER. SEE GROOVING DETAIL. THE SURFACE OF RAMP SHALL HAVE A TRANSVERSE BROOMED SURFACE TEXTURE ROUGHER THAN THE SURROUNDING SIDEWALK EXCEPT WHEN LOCATED IN CENTER OF CURB RETURN.
 - 2.- WHEN RAMP IS LOCATED IN CENTER OF CURB RETURN, IT SHALL BE TRANSVERSE BROOMED ALIGNED PARALLEL TO CROSSWALK WITH 1/4" GROOVES APPROXIMATELY 3/4" ON CENTER. SEE GROOVING DETAIL. GROOVES SHALL BE ALIGNED PARALLEL TO CROSSWALK LINES OR PARALLEL TO THE PROLONGATION OF CURBS WHEN THERE ARE NO CROSSWALK LINES.
 - 3.- ACCESS RAMP SHALL BE CONSTRUCTED WITH 5" THICK 4500 PSI CONCRETE OVER 6" OF CLASS II AGGREGATE BASE.
 - 4.- RAMP'S LOCATED OTHER THAN SHOWN, SHALL BE APPROVED BY THE CITY ENGINEER.
 - 5.- EXPANSION JOINTS TO BE INSTALLED AT BOTH RAMP ENDS.
 - 6.- HANDICAP RAMP AND CURB SHALL NOT BE POURED MONOLITHIC.
 - 7.- SUBGRADE TO BE 6" COMPACTED 90% OF ASTM D1557 MAXIMUM DRY DENSITY AND MAINTAIN A MOISTURE CONTENT OF (18% ± 2%) FOR ALL LOCATIONS UNDERNEATH CONCRETE.
 - 8.- USE 2" OF SAND FOR LEVELING (FINE GRADING) GRADE.
 - 9.- ALL METAL FORM STAKES MUST HAVE PROTECTIVE DEVICES SUCH AS "MUSHROOMS" INSTALLED AT ALL TIMES DURING ITS USE, TO ADEQUATELY ENSURE PUBLIC SAFETY.
 - 10.- HANDICAP RAMP SHALL BE CLASS "B" CONCRETE WHICH SHALL ATTAIN A 28-DAY COMPRESSIVE STRENGTH OF 4500 PSI IN ACCORDANCE WITH ASTM C39/C39M-99 AND SHALL CONTAIN 1-1/2 LBS. OF POLYPROPYLENE FIBER PER CUBIC YARD, POLYPROPYLENE FIBERESH CO., FORTA MONO, O.A.E.
 - 11.- APPLY ONE COAT OF W.R. MEADOWS SEALTIGHT 1100 RESIN-BASED, WATER EMULSION CONCRETE CURING COMPOUND OVER ALL CONCRETE SURFACE.



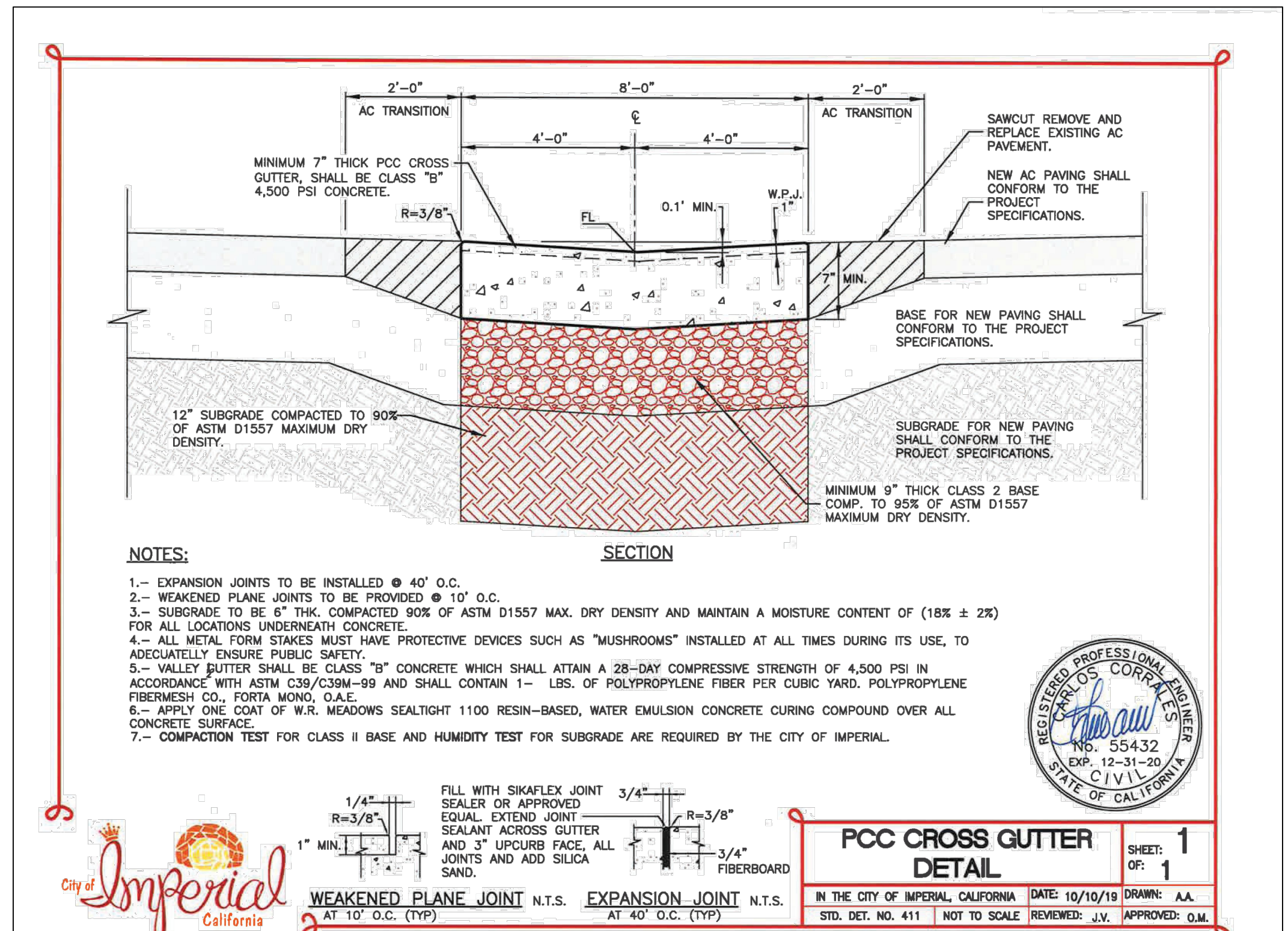
TYPICAL CORNER ONE ADA RAMP DETAIL
 SHEET: 1 OF 1
 IN THE CITY OF IMPERIAL, CALIFORNIA (DATE: 01/17/19) DRAWN: A.A.
 STD. DET. NO. 409 NOT TO SCALE REVIEWED: J.V. APPROVED: O.M.



- NOTES:**
- 1.- THE RAMP SHALL HAVE A 12" WIDE BORDER WITH 1/4" GROOVES APPROXIMATELY 3/4" IN CENTER. SEE GROOVING DETAIL. THE SURFACE OF RAMP SHALL HAVE A TRANSVERSE BROOMED SURFACE TEXTURE ROUGHER THAN THE SURROUNDING SIDEWALK EXCEPT WHEN LOCATED IN CENTER OF CURB RETURN.
 - 2.- WHEN RAMP IS LOCATED IN CENTER OF CURB RETURN, IT SHALL BE TRANSVERSE BROOMED ALIGNED PARALLEL TO CROSSWALK WITH 1/4" GROOVES APPROXIMATELY 3/4" ON CENTER. SEE GROOVING DETAIL. GROOVES SHALL BE ALIGNED PARALLEL TO CROSSWALK LINES OR PARALLEL TO THE PROLONGATION OF CURBS WHEN THERE ARE NO CROSSWALK LINES.
 - 3.- ACCESS RAMP SHALL BE CONSTRUCTED WITH 5" THICK OVER 6" OF CLASS II AGGREGATE BASE.
 - 4.- RAMP'S LOCATED OTHER THAN SHOWN, SHALL BE APPROVED BY THE CITY ENGINEER.
 - 5.- EXPANSION JOINTS TO BE INSTALLED AT BOTH RAMP ENDS.
 - 6.- HANDICAP RAMP AND CURB SHALL NOT BE POURED MONOLITHIC.
 - 7.- SUBGRADE TO BE 6" COMPACTED 90% OF ASTM D1557 MAXIMUM DRY DENSITY AND MAINTAIN A MOISTURE CONTENT OF (18% ± 2%) FOR ALL LOCATIONS UNDERNEATH CONCRETE.
 - 8.- USE 2" OF SAND FOR LEVELING (FINE GRADING) GRADE.
 - 9.- ALL METAL FORM STAKES MUST HAVE PROTECTIVE DEVICES SUCH AS "MUSHROOMS" INSTALLED AT ALL TIMES DURING ITS USE, TO ADEQUATELY ENSURE PUBLIC SAFETY.
 - 10.- HANDICAP RAMP SHALL BE CLASS "B" CONCRETE WHICH SHALL ATTAIN A 28-DAY COMPRESSIVE STRENGTH OF 4500 PSI IN ACCORDANCE WITH ASTM C39/C39M-99 AND SHALL CONTAIN 1-1/2 LBS. OF POLYPROPYLENE FIBER PER CUBIC YARD, POLYPROPYLENE FIBERESH CO., FORTA MONO, O.A.E.
 - 11.- APPLY ONE COAT OF W.R. MEADOWS SEALTIGHT 1100 RESIN-BASED, WATER EMULSION CONCRETE CURING COMPOUND OVER ALL CONCRETE SURFACE.

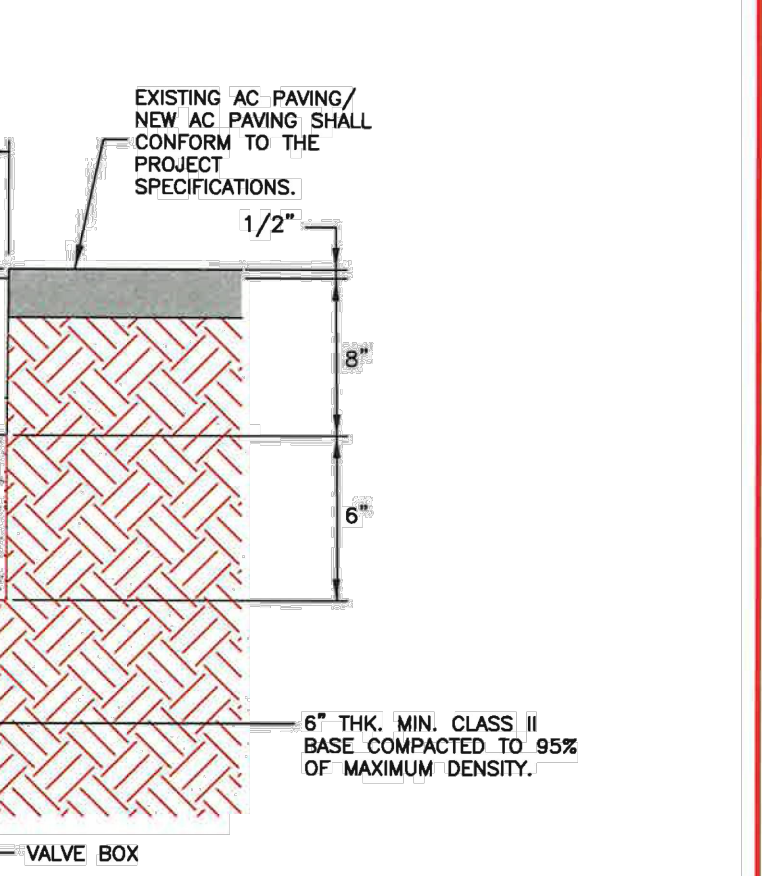
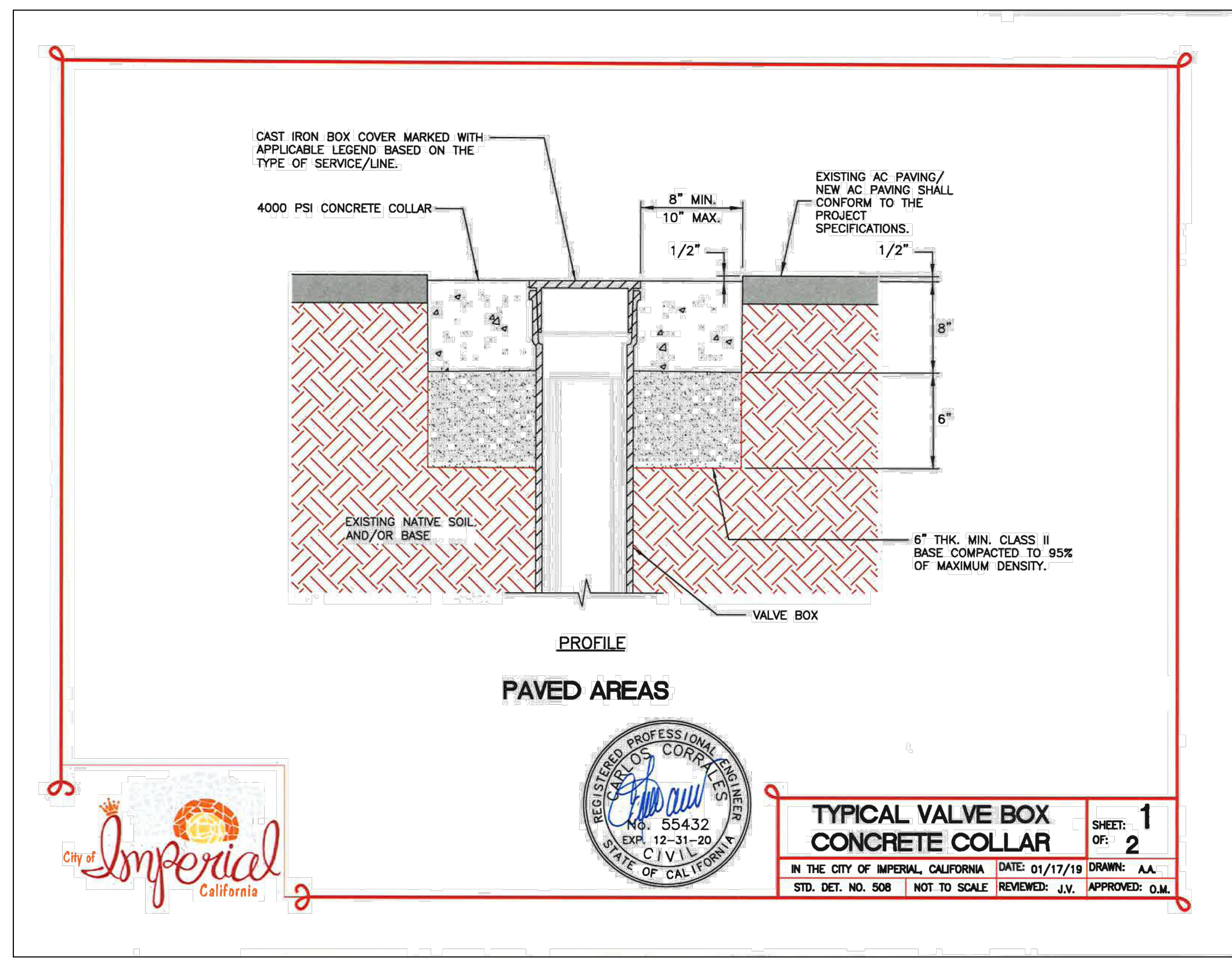


FULL CORNER ADA RAMP DETAIL
 SHEET: 1 OF 1
 IN THE CITY OF IMPERIAL, CALIFORNIA (DATE: 10/10/19) DRAWN: A.A.
 STD. DET. NO. 409-A NOT TO SCALE REVIEWED: J.V. APPROVED: O.M.

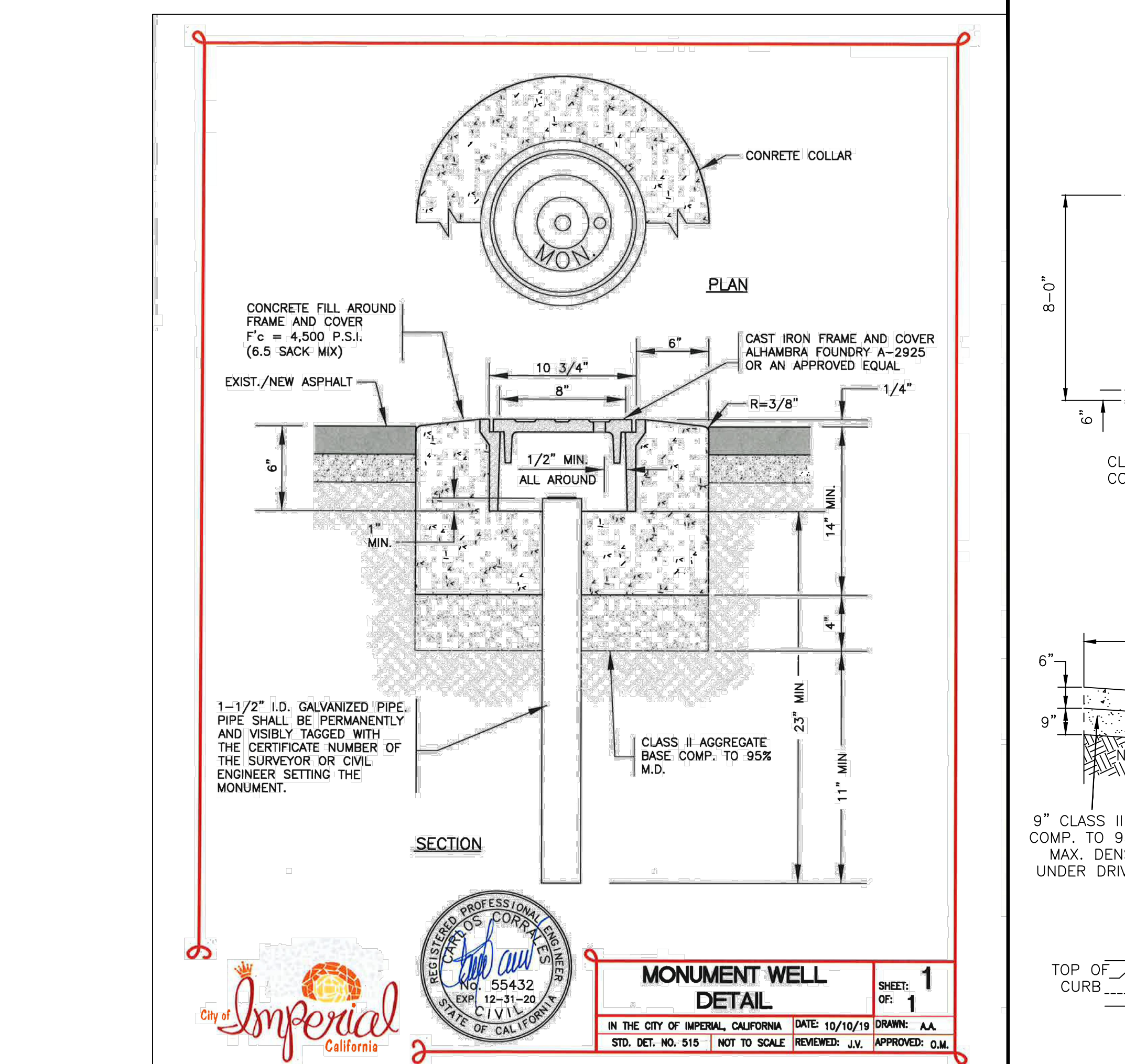


- NOTES:**
- 1.- EXPANSION JOINTS TO BE INSTALLED @ 40' O.C.
 - 2.- WEAKENED PLANE JOINTS TO BE PROVIDED @ 10' O.C.
 - 3.- SUBGRADE TO BE 6" THK. COMPACTED 90% OF ASTM D1557 MAX. DRY DENSITY AND MAINTAIN A MOISTURE CONTENT OF (18% ± 2%) FOR ALL LOCATIONS UNDERNEATH CONCRETE.
 - 4.- ALL METAL FORM STAKES MUST HAVE PROTECTIVE DEVICES SUCH AS "MUSHROOMS" INSTALLED AT ALL TIMES DURING ITS USE, TO ADEQUATELY ENSURE PUBLIC SAFETY.
 - 5.- VALLEY GUTTER SHALL BE CLASS "B" CONCRETE WHICH SHALL ATTAIN A 28-DAY COMPRESSIVE STRENGTH OF 4500 PSI IN ACCORDANCE WITH ASTM C39/C39M-99 AND SHALL CONTAIN 1- LBS. OF POLYPROPYLENE FIBER PER CUBIC YARD, POLYPROPYLENE FIBERESH CO., FORTA MONO, O.A.E.
 - 6.- APPLY ONE COAT OF W.R. MEADOWS SEALTIGHT 1100 RESIN-BASED, WATER EMULSION CONCRETE CURING COMPOUND OVER ALL CONCRETE SURFACE.
 - 7.- COMPACTION TEST FOR CLASS II BASE AND HUMIDITY TEST FOR SUBGRADE ARE REQUIRED BY THE CITY OF IMPERIAL.

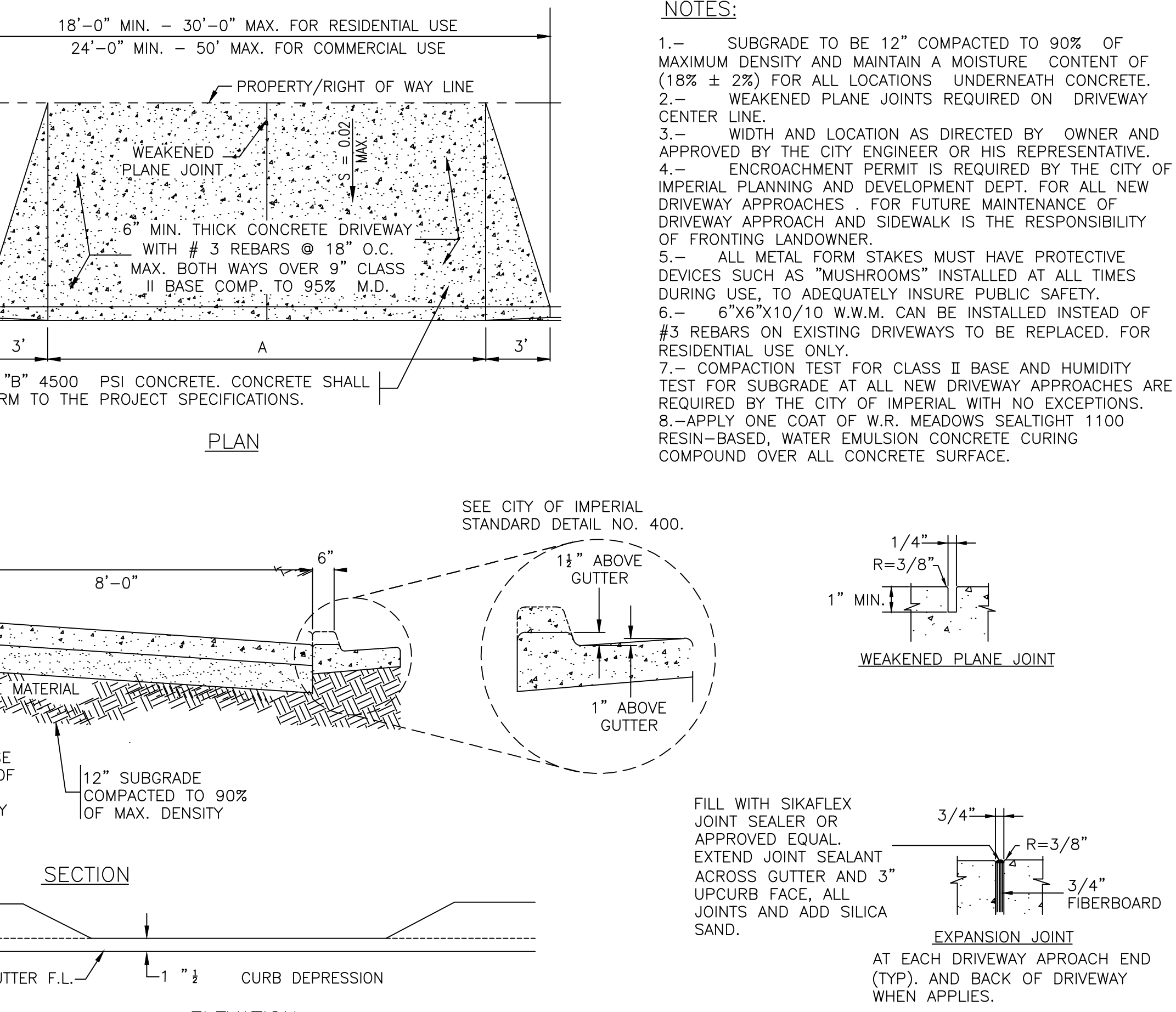
PCC CROSS GUTTER DETAIL
 SHEET: 1 OF 1
 IN THE CITY OF IMPERIAL, CALIFORNIA (DATE: 10/10/19) DRAWN: A.A.
 STD. DET. NO. 411 NOT TO SCALE REVIEWED: J.V. APPROVED: O.M.



TYPICAL VALVE BOX CONCRETE COLLAR
 SHEET: 1 OF 2
 IN THE CITY OF IMPERIAL, CALIFORNIA (DATE: 01/17/19) DRAWN: A.A.
 STD. DET. NO. 508 NOT TO SCALE REVIEWED: J.V. APPROVED: O.M.



MONUMENT WELL DETAIL
 SHEET: 1 OF 1
 IN THE CITY OF IMPERIAL, CALIFORNIA (DATE: 10/10/19) DRAWN: A.A.
 STD. DET. NO. 515 NOT TO SCALE REVIEWED: J.V. APPROVED: O.M.



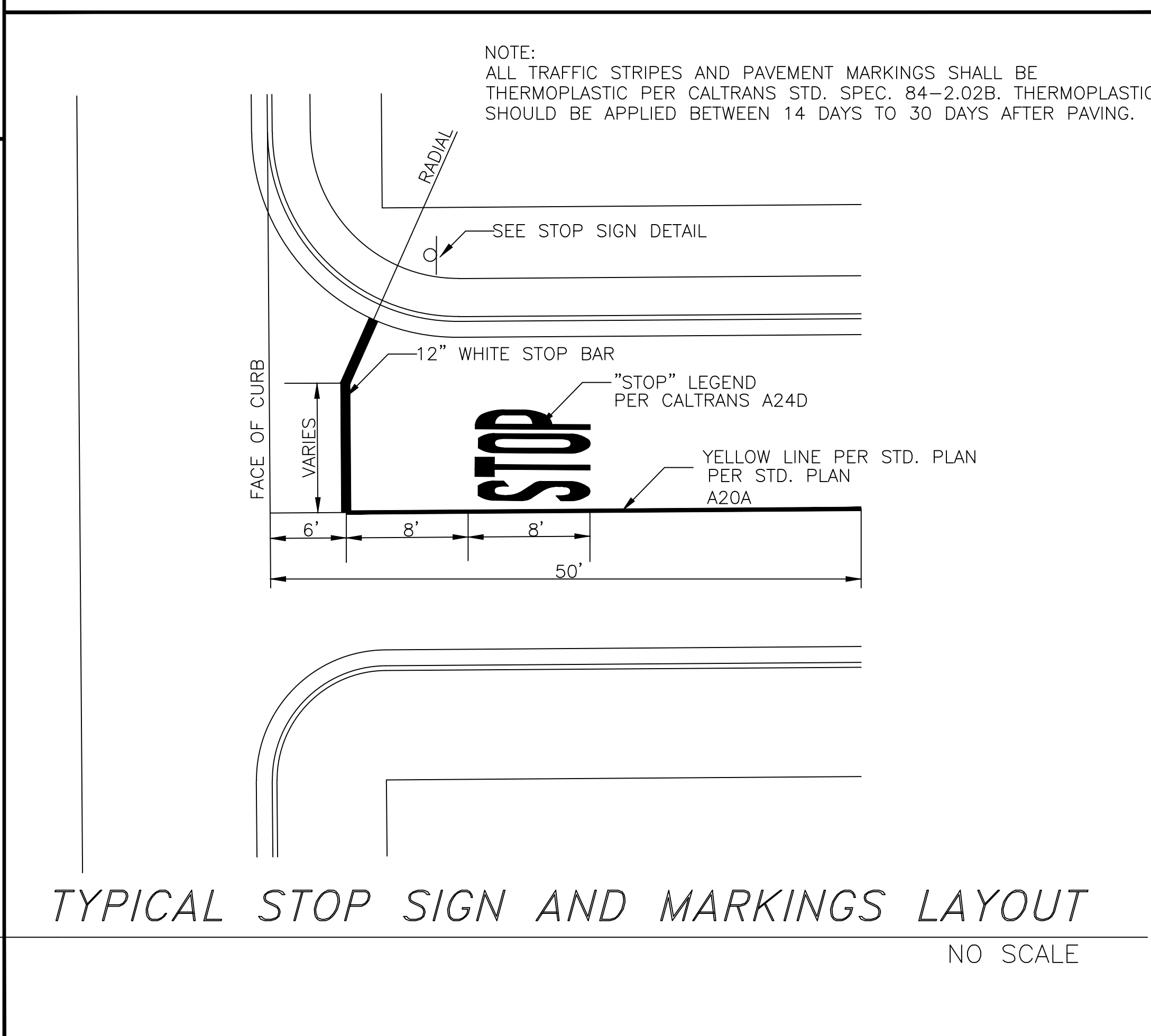
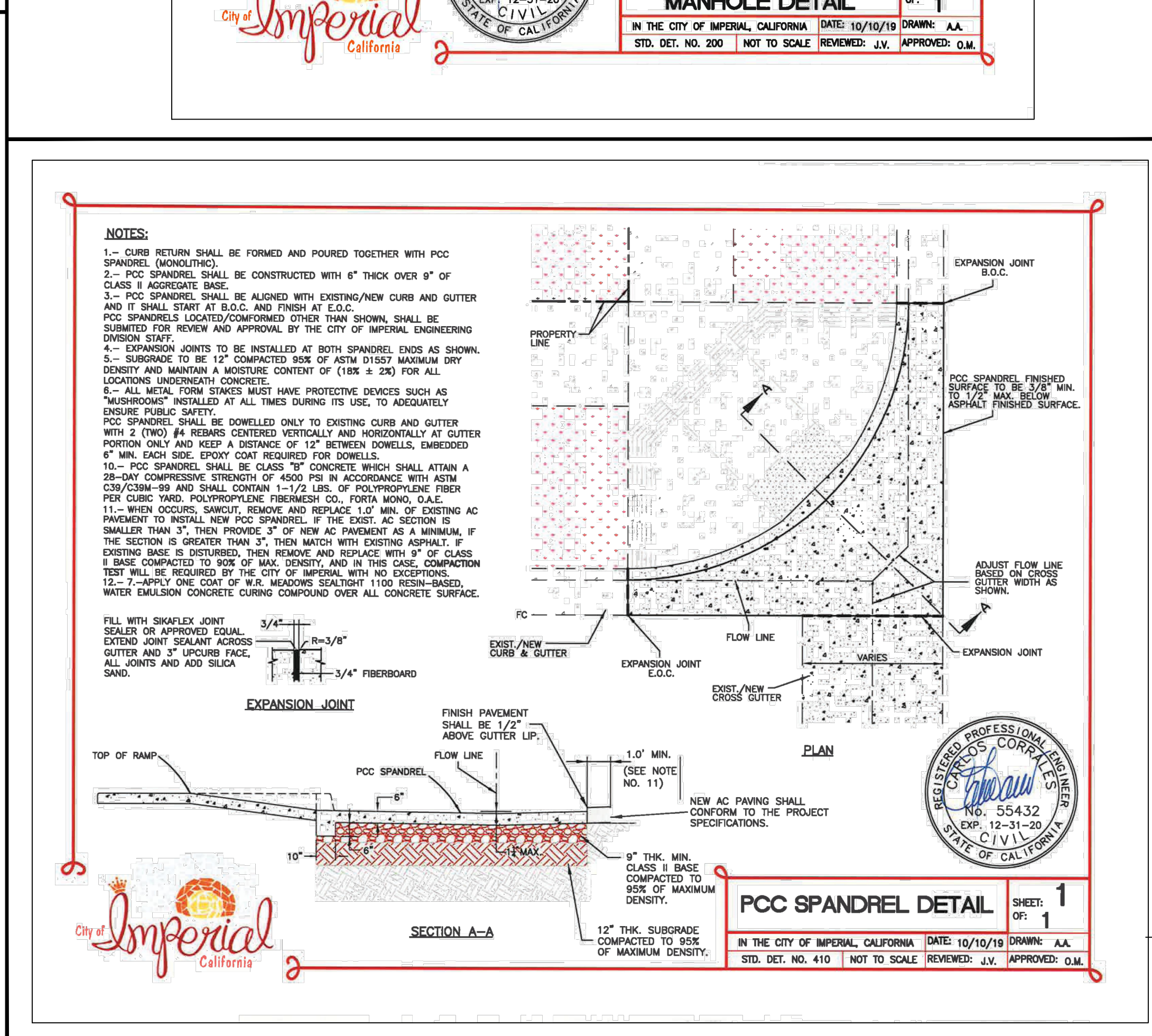
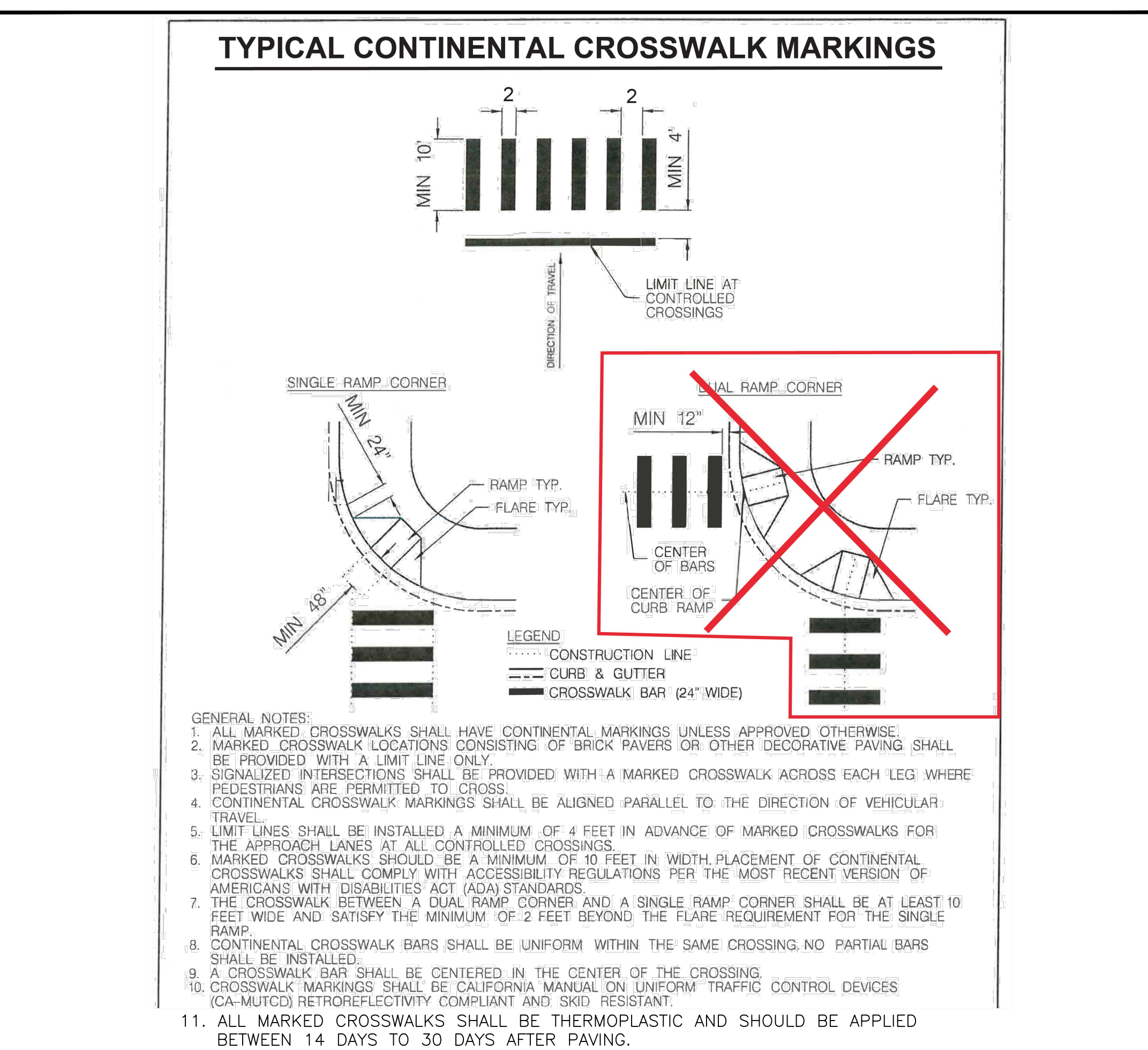
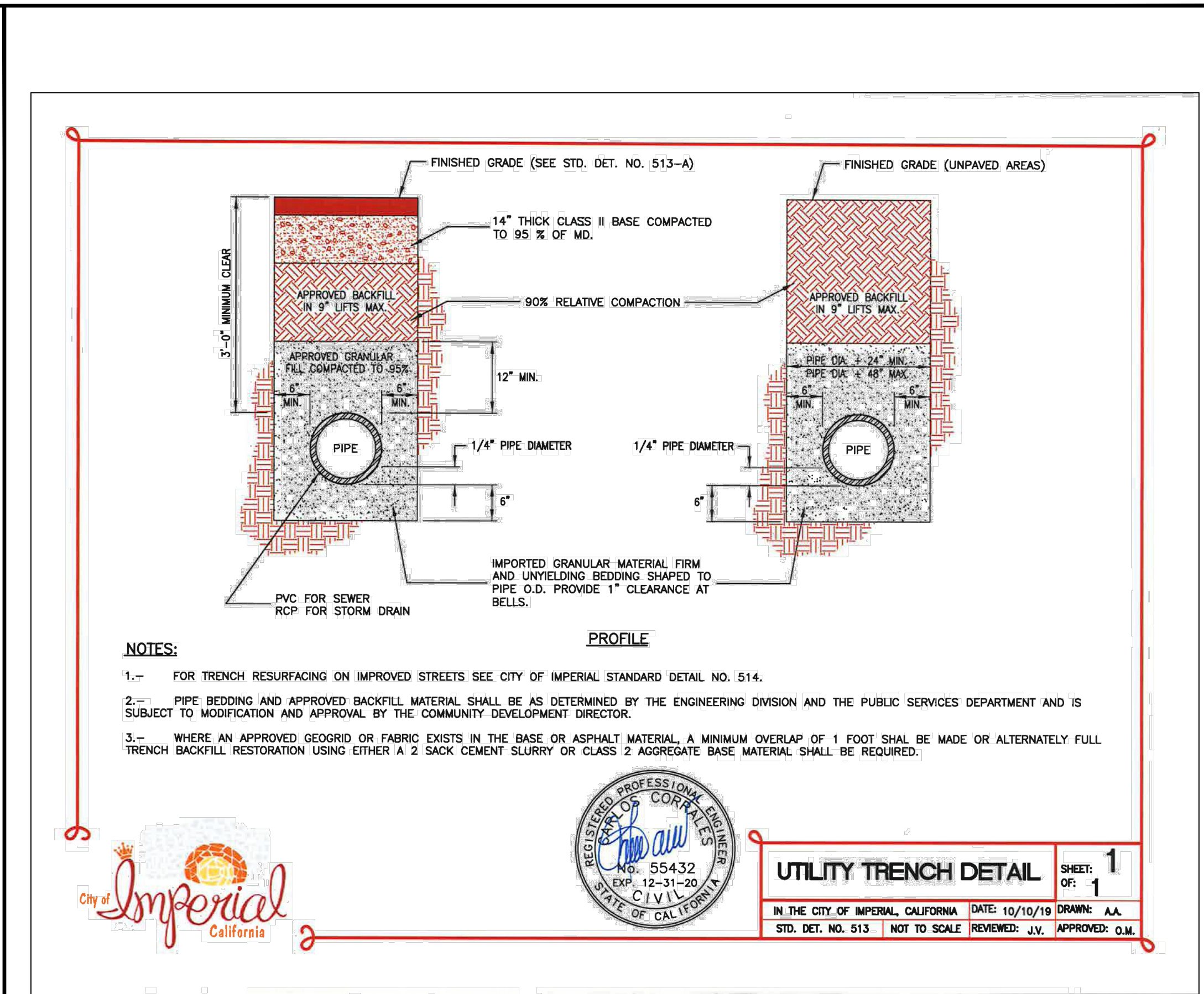
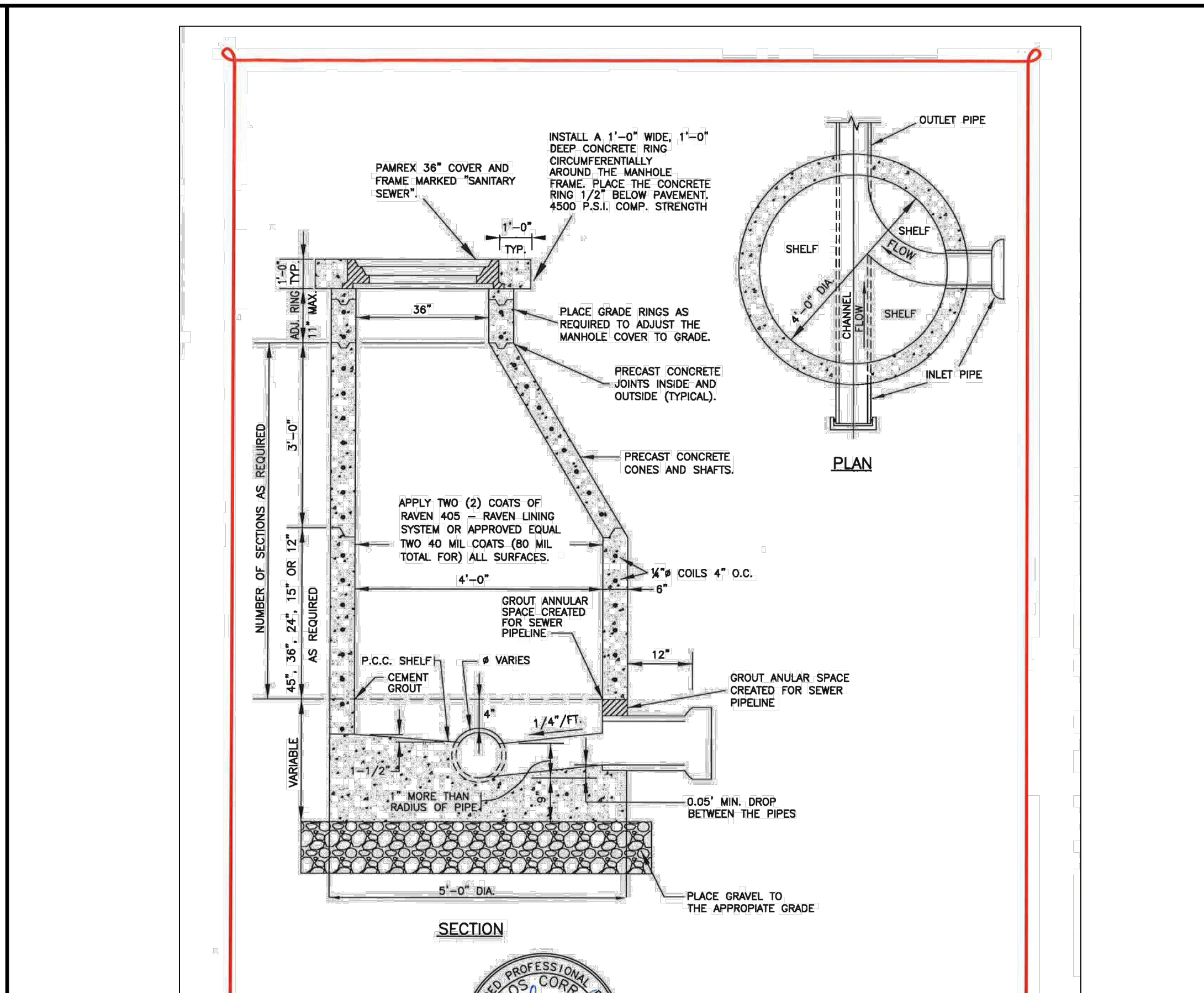
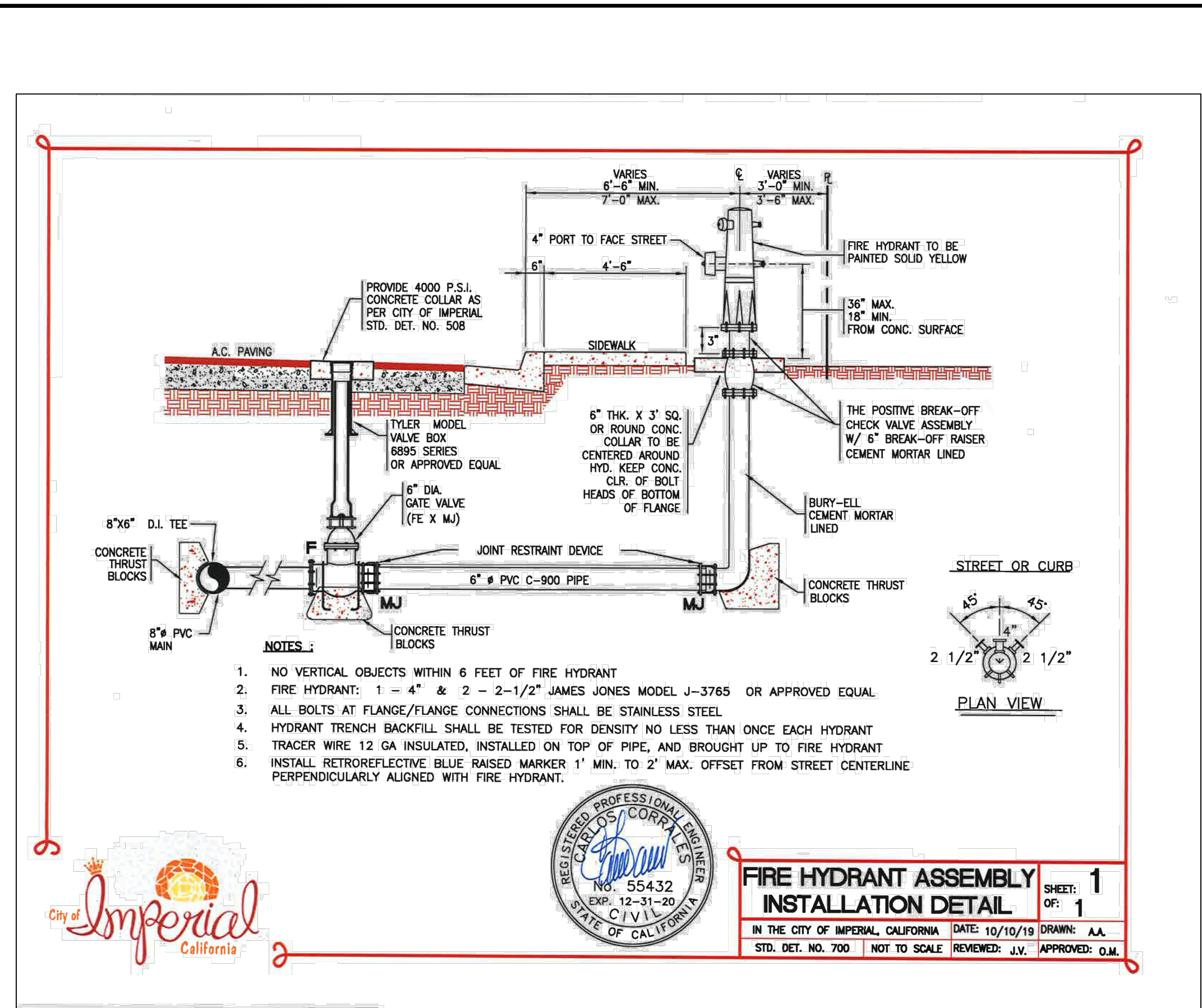
PCC DRIVEWAY TYPE "B" DETAIL
 SHEET: 1 OF 1
 IN THE CITY OF IMPERIAL, CALIFORNIA (DATE: 10/10/19) DRAWN: A.A.
 STD. DET. NO. 515 NOT TO SCALE REVIEWED: J.V. APPROVED: O.M.

NO.	REVISIONS:	APPROVED	DATE

UNAUTHORIZED CHANGES & USES: The engineer preparing these plans will not be responsible for, or liable for, unauthorized changes to or uses of these plans.
 All changes to the plans must be in writing and must be approved by the preparer of these plans.



CITY OF IMPERIAL
 420 South Imperial Avenue
 Imperial, CA 92251
 Ph: (760) 355-3840 • Fax: (760)355-4718



NO.	REVISIONS:	APPROVED	DATE

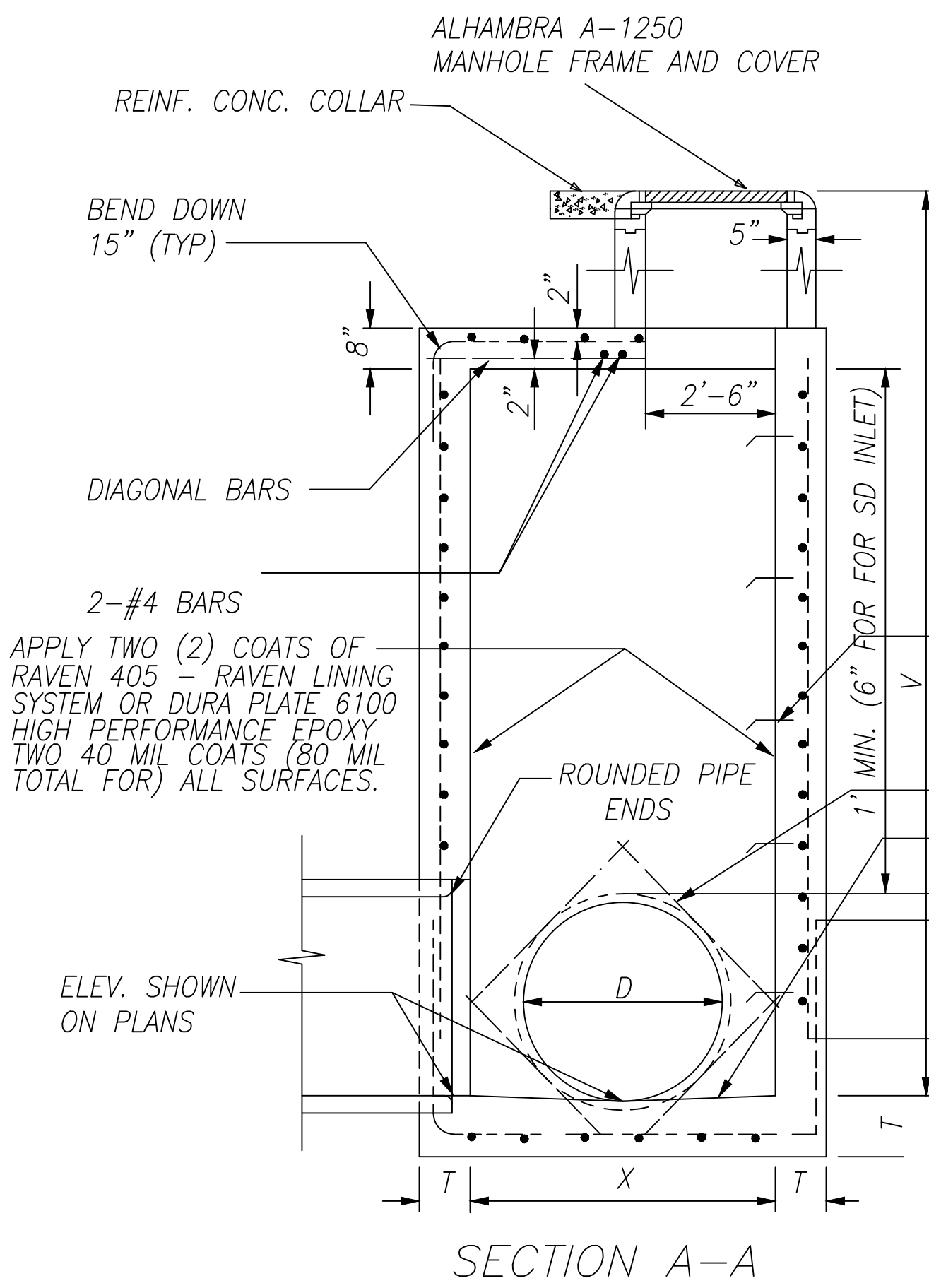
UNAUTHORIZED CHANGES & USES: The engineer preparing these plans will not be responsible for, or liable for, unauthorized changes to or uses of these plans.
 All changes to the plans must be in writing and must be approved by the preparer of these plans.

CITY OF IMPERIAL
 420 South Imperial Avenue
 Imperial, CA 92251
 Ph: (760) 355-3840 • Fax: (760)355-4718

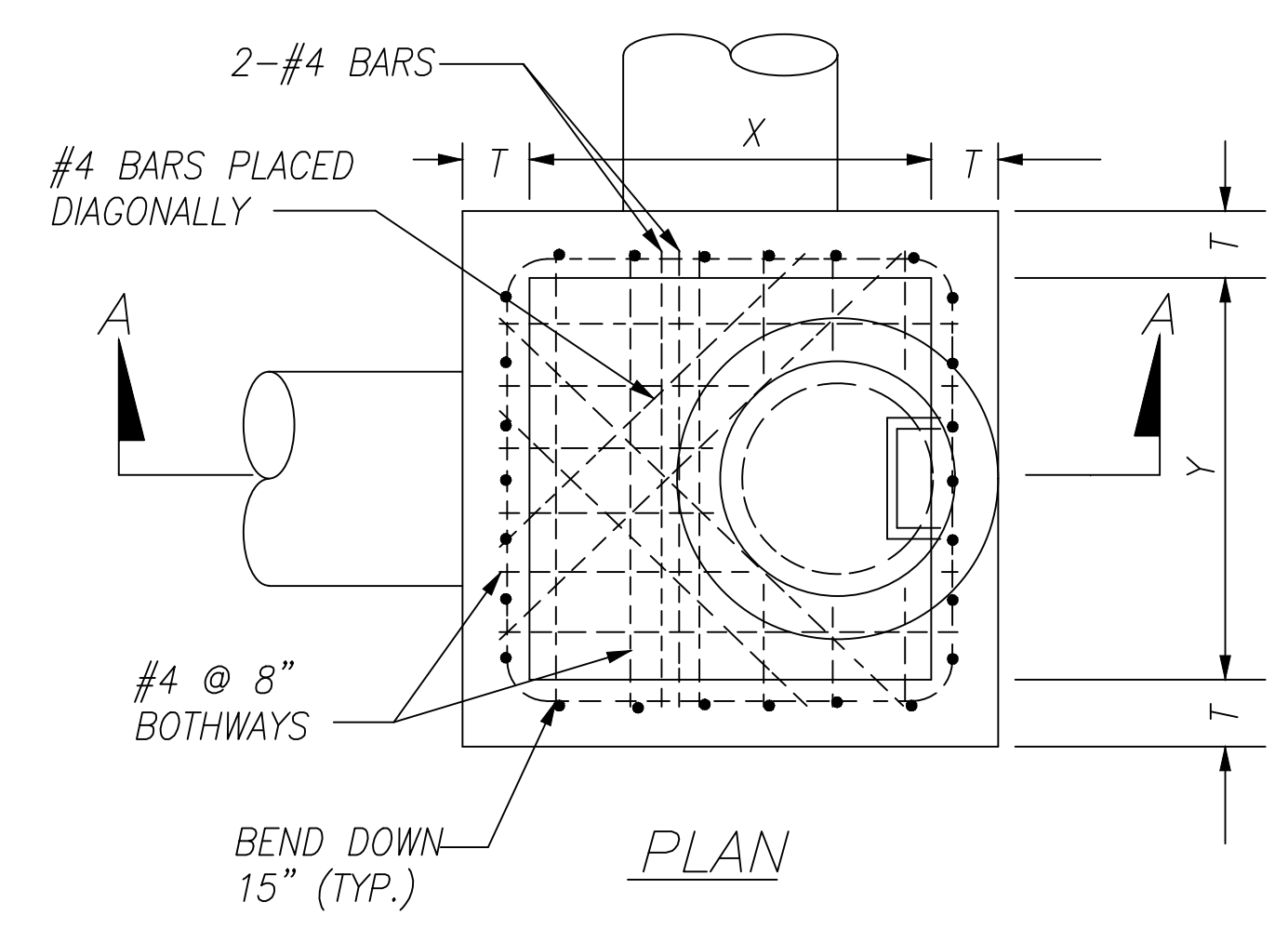
COMMUNITY DEVELOPMENT DEPARTMENT
7TH, 10TH & 14TH STREETS REHABILITATION PROJECT
 BID No. 2024-01
DETAILS SHEET

SHEET **26**
 OF **28** SHEETS

DATE: 2024-04-03



- NOTES**
1. CONCRETE SHALL BE 4500 PSI.
 2. ALL PRECAST COMPONENTS SHALL BE REINFORCED WITH 1/4" DIAMETER STEEL, WOULD SPIRALLY ON 4" CENTERS.
 3. ALL JOINTS SHALL BE SET IN CLASS C MORTAR.
 4. MAINTAIN 3" MIN. CLEAR SPACING BETWEEN REINFORCING AND SURFACE UNLESS OTHERWISE NOTED.
 5. EXPOSED EDGES OF CONCRETE SHALL BE ROUNDED WITH A RADIUS OF 1/2".

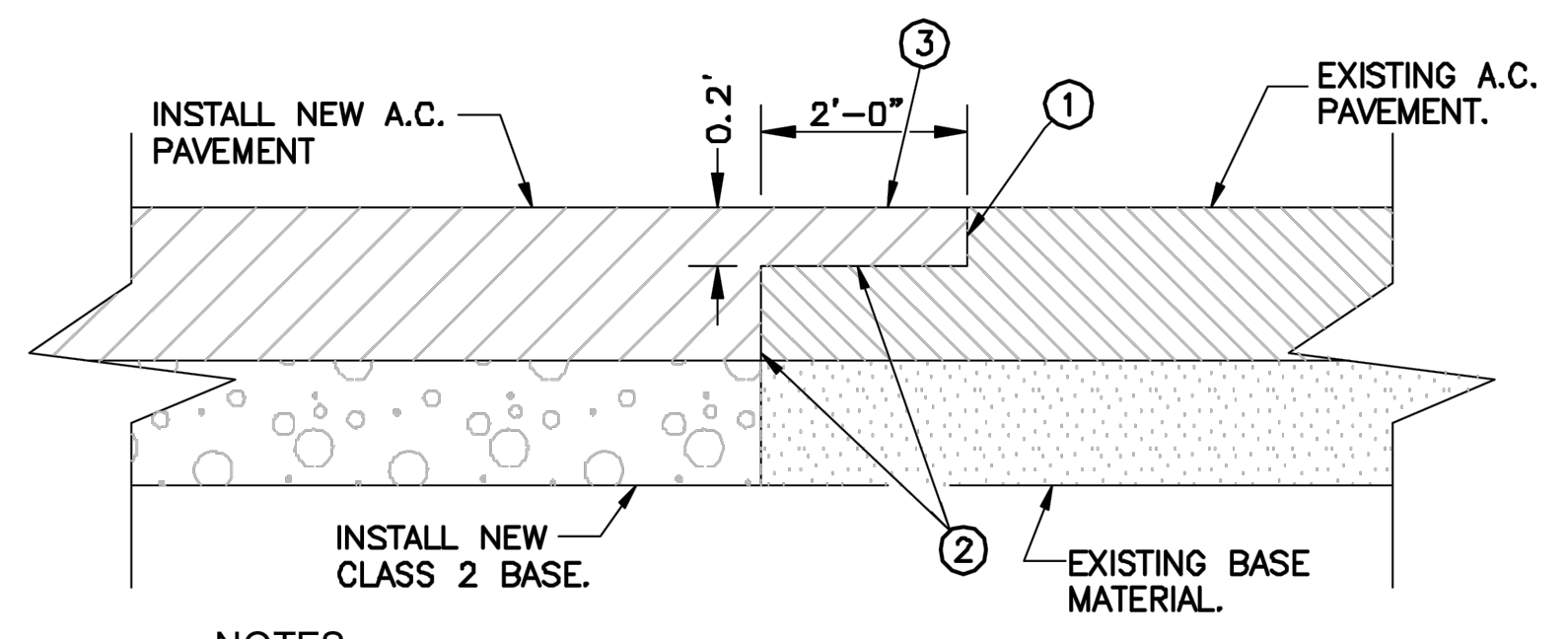


PIPE DIA.	X	Y
UP TO 39"	4'	4'
42" TO 48"	5'	4'
59" TO 60"	6'	4'
63" TO 72"	7'	4'
75" TO 84"	8'	4'

SECTION A-A			
MAXIMUM SPAN X OR Y	DEPTH V	THICKNESS T	HOR. & FLR. REINF.
3'-0" TO 4'-0"	4'-0"	6"	#4 @ 18"
4'-1" TO 7'-0"		6"	#4 @ 12"
7'-1" TO 8'-0"		6"	#4 @ 8"
3'-0" TO 4'-0"	4'-1" TO 8'-0"	6"	#4 @ 18"
4'-1" TO 5'-0"		6"	#4 @ 12"
5'-1" TO 6'-0"		6"	#4 @ 8"
6'-1" TO 8'-0"	8'-0"	6"	#4 @ 6"
8'-1" TO 10'-0"		6"	#5 @ 8"
3'-1" TO 4'-0"		6"	#4 @ 15"
4'-1" TO 5'-0"	8'-1" TO 12'-0"	8"	#4 @ 12"
5'-1" TO 6'-0"		8"	#4 @ 8"
6'-1" TO 8'-0"		8"	#4 @ 6"
3'-0" TO 4'-0"	12'-1" TO 16'-0"	6"	#4 @ 12"
4'-1" TO 5'-0"		8"	#4 @ 12"
5'-1" TO 6'-0"		8"	#4 @ 8"
6'-1" TO 7'-0"	16'-1" TO 20'-0"	8"	#4 @ 6"
7'-1" TO 8'-0"		8"	#4 @ 8"
3'-0" TO 4'-0"		8"	#4 @ 12"
4'-1" TO 5'-0"	16'-1" TO 20'-1"	10"	#4 @ 12"
5'-1" TO 6'-0"		10"	#4 @ 8"
6'-1" TO 7'-0"		10"	#4 @ 6"
7'-1" TO 8'-0"	20'-1" TO 24'-0"	10"	#4 @ 8"
3'-0" TO 4'-0"		8"	#4 @ 12"
4'-1" TO 5'-0"		10"	#4 @ 12"
5'-1" TO 6'-0"	24'-0"	10"	#4 @ 8"
6'-1" TO 7'-0"		10"	#4 @ 6"
7'-1" TO 8'-0"		12"	#4 @ 8"

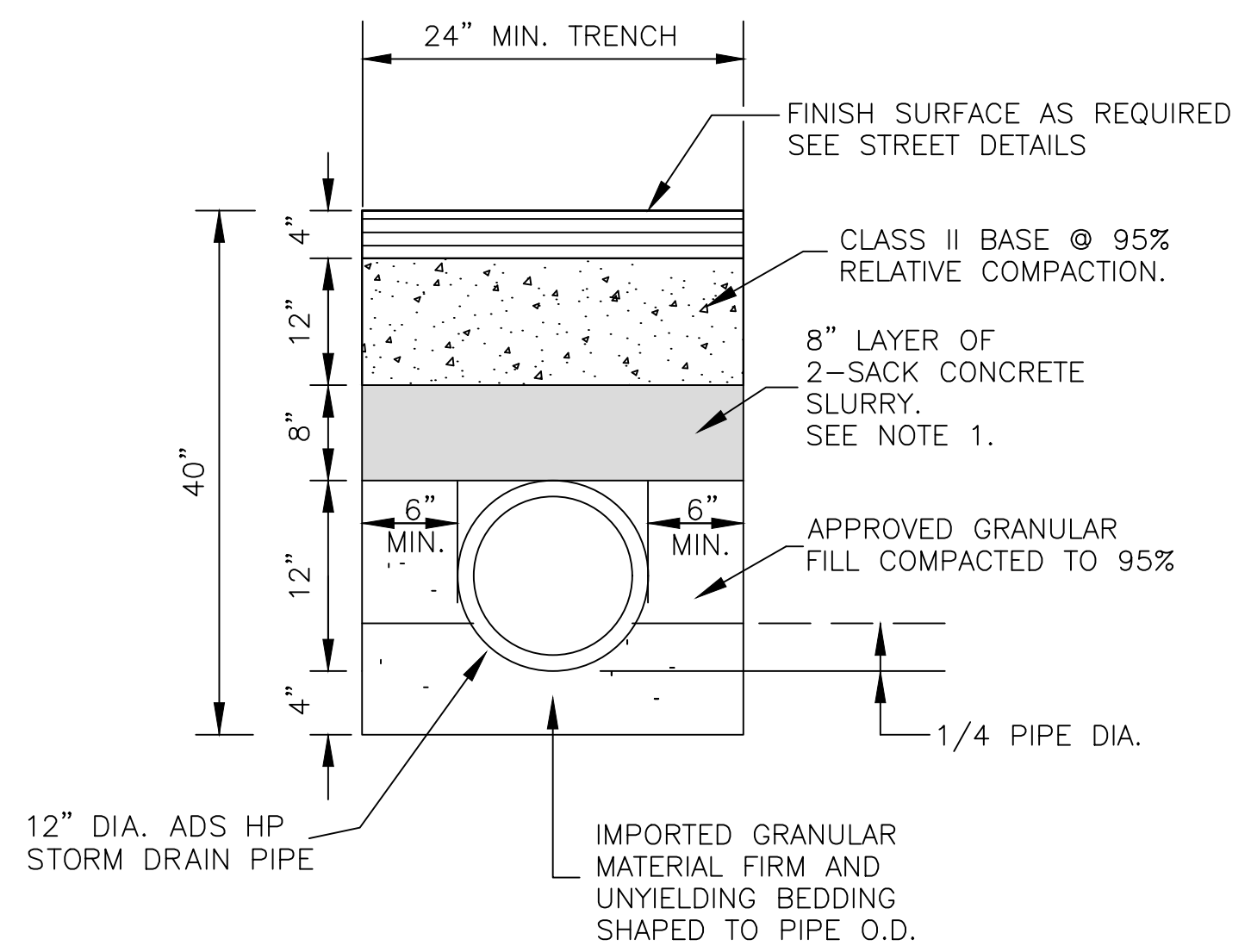
STORM DRAIN JUNCTION BOX

NO SCALE



- NOTES:**
1. COLD PLANE 2 FOOT WIDE X 0.20 FOOT DEEP AREA FOR THE FULL WIDTH OF THE A.C. PAVEMENT.
 2. TACK COAT THE SAWCUT A.C. PAVEMENT EDGE AND COLD PLANED AREA WITH A GRADE SS-1H EMULSIFIED ASPHALT AT AN APPROXIMATE RATE OF 0.05 TO 0.10 GALLON PER SQUARE YARD. THE SH-1H EMULSIFIED ASPHALT SHALL BE UNIFORMLY APPLIED PRECEDING THE PLACEMENT OF THE NEW ASPHALT CONCRETE. THE SURFACE SHALL BE FREE OF WATER, FOREIGN MATERIAL OR DUST WHEN THE TACK COAT IS APPLIED.
 3. OVERLAY HEADER AREA TO MATCH NEW AND EXISTING A.C. SURFACES.
 4. WHERE PAVEMENT IS INSTALLED ON A PROJECT ON MORE THAN ONE DAY, A HEADER (AS HEREIN DESCRIBED) MUST BE PROVIDED AT THE CONSTRUCTION JOINT.

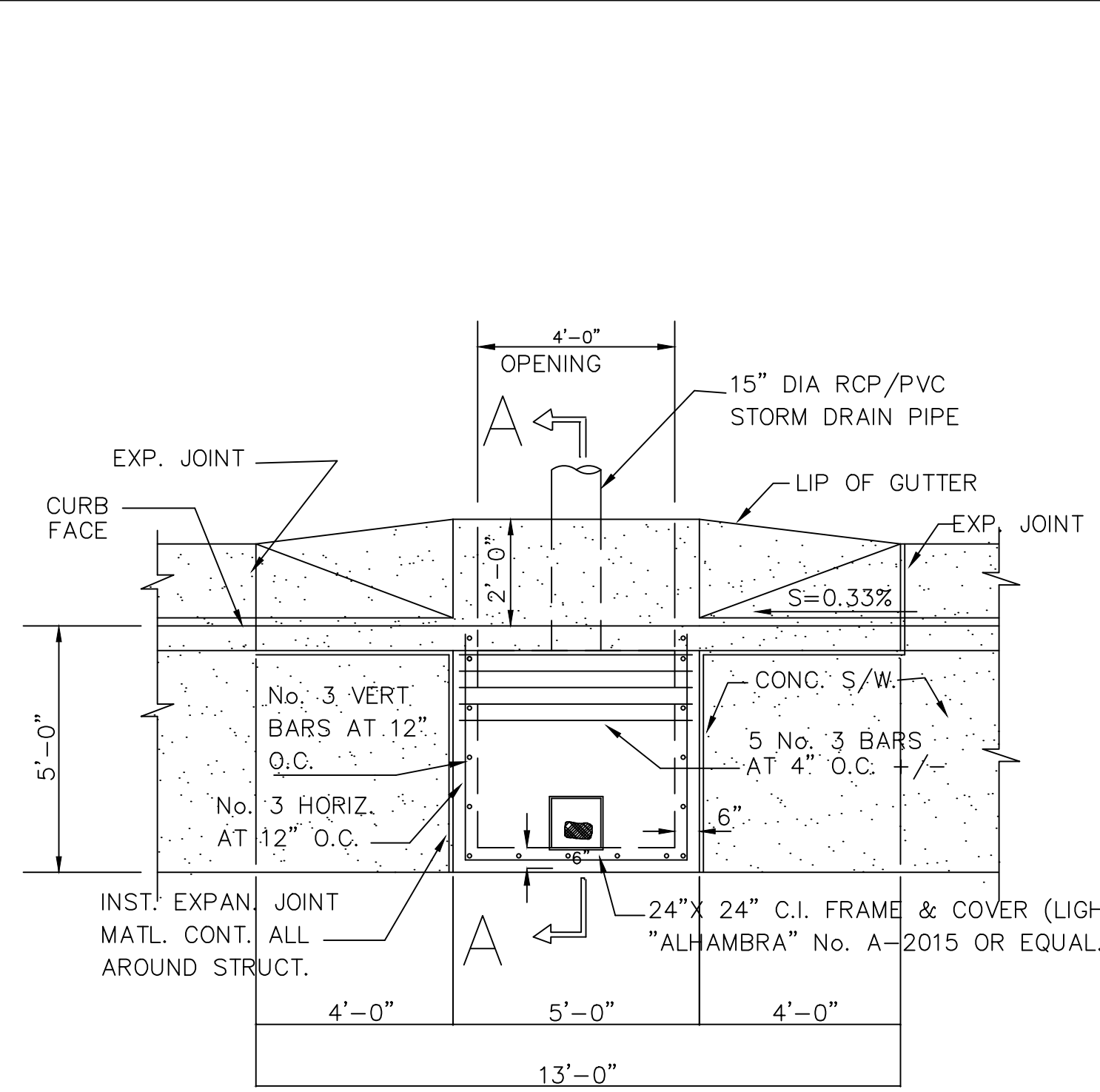
CONNECTION DETAIL BETWEEN NEW AND EXISTING ASPHALT



- NOTE:**
1. INSTALL 8" CONCRETE SLURRY ON TOP OF 12" DIA. ADS HP STORM DRAIN PIPE WHEN TOTAL DEPTH OF COVER IS LESS THAN 3 FEET.
 2. SAW CUT EXISTING PAVEMENT ALONG TRENCH OPENINGS.

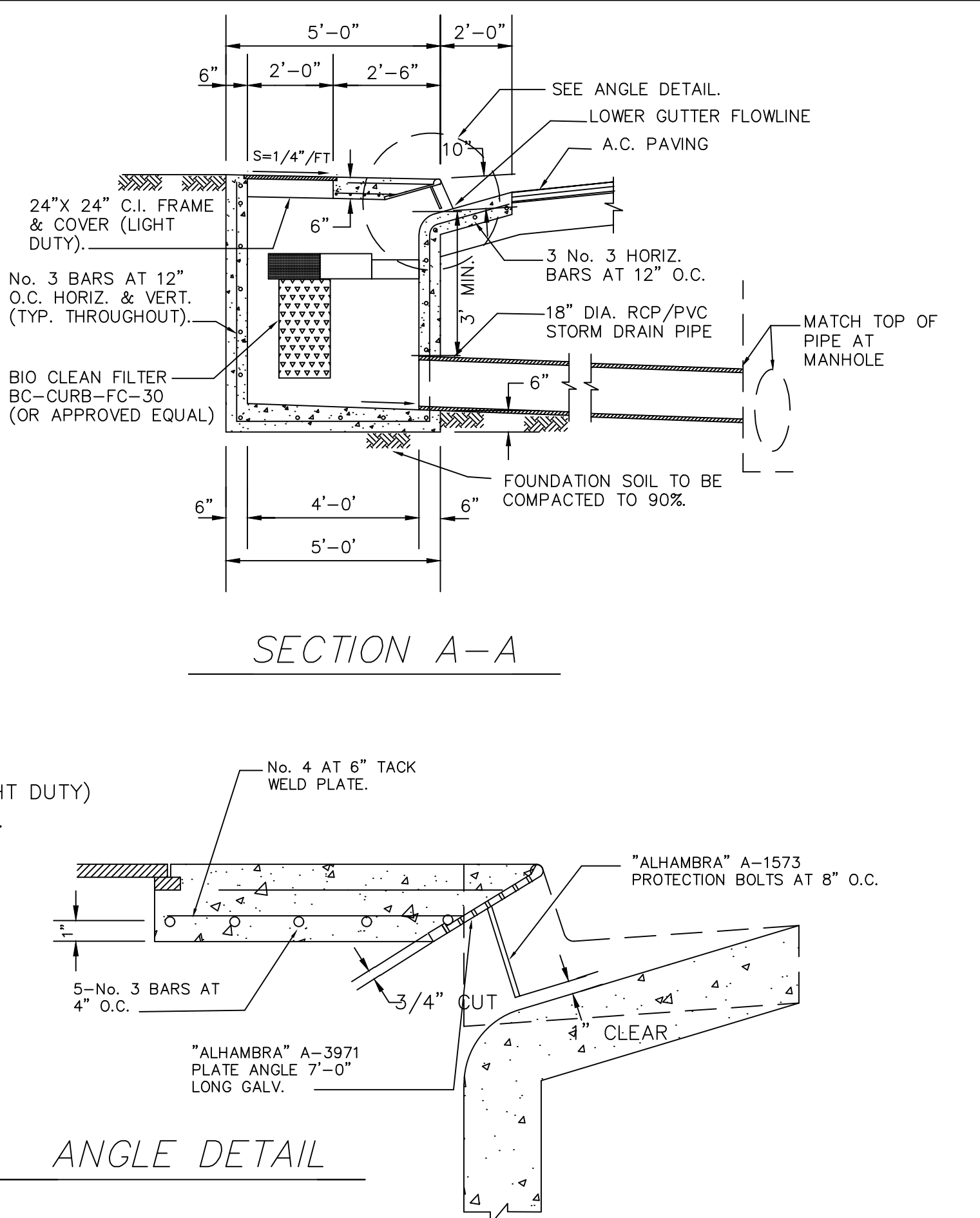
STORM DRAIN PIPE TRENCH DETAIL

NO SCALE



STORM DRAIN CATCH BASIN WITH BIO CLEAN FILTER

NO SCALE



NO.	REVISIONS:	APPROVED	DATE

UNAUTHORIZED CHANGES & USES: The engineer preparing these plans will not be responsible for, or liable for, unauthorized changes to or uses of these plans. All changes to the plans must be in writing and must be approved by the preparer of these plans.



CITY OF IMPERIAL
 420 South Imperial Avenue
 Imperial, CA 92251
 Ph: (760) 355-3840 • Fax: (760) 355-4718

COMMUNITY DEVELOPMENT DEPARTMENT	SHEET
7TH, 10TH & 14TH STREETS REHABILITATION PROJECT	27
BID No. 2024-01	OF 28 SHEETS
DETAILS SHEET	DATE: 2024-04-03

1. GENERAL

1.01 APPROVALS: ALL WORK PERFORMED AND MATERIAL FURNISHED FOR COMPLETION OF IMPROVEMENTS CALLED FOR ON THESE DRAWINGS SHALL BE SUBJECT TO THE INSPECTION AND APPROVAL OF AUTHORIZED REPRESENTATIVES OF THE CITY AND DEVELOPERS AND SHALL NOT BE COVERED, BURIED OR OTHERWISE CONCEALED UNTIL SUCH HAS BEEN SO INSPECTED AND APPROVED. ALL UNDERGROUND CONDUIT AND APPURTENANCES FOR ELECTRICAL POWER, TELEPHONE AND CABLE TELEVISION SYSTEMS SHALL BE SUBJECT TO THE INSPECTION AND APPROVAL OF AUTHORIZED REPRESENTATIVES OF THE SERVING UTILITIES. ALL EARTHWORK SHALL BE SUBJECT TO THE INSPECTION, TESTING AND APPROVAL OF THE SOILS TESTING FIRM THAT FURNISHED THE SOILS REPORT REFERENCED WITHIN THESE DRAWINGS. EACH SUBCONTRACTOR SHALL GIVE THE INSPECTING AUTHORITY NO LESS THAN 24 HOUR NOTICE OF HIS NEED FOR INSPECTION OR TESTING.

1.02 SITE CONDITIONS: EACH SUBCONTRACTOR DOING WORK ON THIS PROJECT SHALL ASSUME SOIL COMPLETE RESPONSIBILITY FOR THE SAFETY OF ALL PERSONS AND PROPERTY WITHIN HIS WORK AREA, DAY AND NIGHT, DURING BOTH WORKING AND NONWORKING HOURS; AND SHALL PROVIDE BARRICADES, SHORING, FLAGMEN, SIGNS, LIGHTING AND OTHERS DEVICES REQUIRED THEREIN.

1.03 STANDARD SPECIFICATIONS: THE STANDARD SPECIFICATIONS REFERENCED IN THESE SPECIFICATIONS SHALL BE THOSE OF THE STATE OF CALIFORNIA, DEPARTMENT OF TRANSPORTATION (CALTRANS) DATED 2010. COPIES OF SUCH ARE OBTAINABLE FROM: CALTRANS, CENTRAL PUBLICATION DISTRIBUTION UNIT, 1900 ROYAL OAKS DRIVE, SACRAMENTO, CA. 95815-3800. ALL THE WORK SHOWN OR CALLED FOR ON THESE DRAWINGS SHALL CONFORM TO THESE SPECIFICATIONS REFERENCED HEREIN, INCLUDING THOSE OTHER SECTIONS AND ASTM, AWWA AND AASHTO STANDARDS THEREIN REFERENCED.

1.04 UNDERGROUND CONDUIT: PLANS, DETAILS AND SPECIFICATIONS FOR CONSTRUCTION OF UNDERGROUND CONDUIT AND APPURTENANCES FOR THE ELECTRICAL POWER, TELEPHONE AND CABLE TELEVISION SYSTEMS HAVE BEEN PREPARED BY OR IN ACCORDANCE WITH THE REQUIREMENTS AND APPROVALS OF THE SERVING UTILITY COMPANIES. ALL SUCH WORK SHALL CONFORM TO THOSE REFERENCED DOCUMENTS TO SAME EXTENT AS IF THEY WERE SHOWN, DETAILED AND SPECIFIED WITH THESE DRAWINGS AND RELATED DOCUMENTS. QUOTATIONS REGARDING DESIGNS AND DETAILS OF SUCH WORK SHALL BE DIRECTED TO THE UTILITY INVOLVED THEREWITH.

1.05 SERVICES: EACH AND EVERY LOT SHOWN IN THESE DRAWINGS SHALL BE PROVIDED ONE EACH SEWER SERVICE, WATER SERVICE, DRIVE APPROACH, ELECTRICAL POWER SERVICE, TELEPHONE SERVICE, GAS SERVICE AND CABLE TELEVISION SERVICE. THE LOCATION OF WATER, TELEVISION AND GAS SERVICES SHALL BE BROUGHT TO ONE CORNER OF EACH LOT IN EITHER UNDERGROUND PIPE OR UNDERGROUND CONDUIT.

1.06 TRAFFIC CONTROL: EACH SUBCONTRACTOR DOING WORK ON THIS PROJECT SHALL PROVIDE TRAFFIC CONTROL SIGNS, LIGHTS, FLAGMEN AND OTHER DEVICES NECESSARY TO PROTECT HIS WORK AND EXCAVATIONS AND TO PROTECT VEHICULAR AND PEDESTRIAN TRAFFIC PASSING THROUGH OR NEAR WORK AREAS. IN ACCORDANCE WITH THE MANUAL OF TRAFFIC CONTROL FOR CONSTRUCTION AND MAINTENANCE WORK ZONES," AS PUBLISHED BY THE STATE OF CALIFORNIA, DEPARTMENT OF TRANSPORTATION (CALTRANS), COPIES OF SAID MANUAL MAY BE OBTAINED FROM THAT ADDRESS REFERENCED IN SECTION 1.03 HEREOF.

1.07 TESTING: EACH SUBCONTRACTOR SHALL INCLUDE AS A PART OF HIS WORK ALL MATERIALS AND WORKMANSHIP TO BE TESTED BY THE CITY AND OTHER AGENCIES AND UTILITIES HAVING JURISDICTION OVER THE WORK. TESTING SHALL BE BY AN INDEPENDENT LABORATORY APPROVED BY THAT AGENCY OR UTILITY REQUIRING SAME; EXCEPT ALL TRENCH BACKFILL, INCLUDING COMPACTION OF SAME, SHALL BE TESTED BY THAT FIRM WHICH FURNISHED THE SOILS REPORT REFERENCED FOR EARTHWORK WITHIN THESE DRAWINGS. COPIES OF ALL TEST REPORTS SHALL BY PROVIDED TO THE CITY AND OTHER AGENCIES AND UTILITIES REQUIRING TESTS. MATERIALS AND WORKMANSHIP FOUND DEFICIENT SHALL BE REMOVED, REPAIRED OR OTHERWISE CORRECTED TO THE "SATISFACTION OF THE GOVERNING AGENCY OR UTILITY AND THE DEVELOPER.

1.08 TRENCH SAFETY: EACH SUBCONTRACTOR SHALL PROVIDE SHORING, SHEETING, SHIELDS AND EXCAVATED SLOPES IN TRENCH EXCAVATIONS CONFORMING TO THE REQUIREMENTS OF THE CALIFORNIA OCCUPATIONAL SAFETY AND HEALTH ACT (CAL/OSHA) AS ADMINISTERED BY THE STATE OF CALIFORNIA, DEPARTMENT OF INDUSTRIAL RELATIONS AND DETICED IN THE "TRENCH AND EXCAVATIONS SAFETY GUIDE," AVAILABLE FROM CAL/OSHA COMMUNICATIONS, 525 GOLDEN GATE AVENUE, SAN FRANCISCO, CA. 94102.

1.09 CERTIFICATES OF COMPLIANCE: SUBCONTRACTORS DOING CONCRETE AND PAVING ITEMS OF WORK SHALL PROVIDE WRITTEN AND SIGNED THESE CERTIFICATIONS FROM CONCRETE AND PAVING SUPPLIERS CERTIFYING THAT ALL MATERIALS SUPPLIED BY HIM TO PROJECT COMPLY WITH THESE SPECIFICATIONS. CERTIFICATES SHALL BE OF APPROVED FORM AND CONTENT, SIGNED BY AN AUTHORIZED REPRESENTATIVE OF THE PRODUCT SUPPLIER AND ENDORSED BY THE SUBCONTRACTOR INSTALLING THE PRODUCT. WET SIGNED COPIES OF SAID CERTIFICATES SHALL BE FURNISHED TO THE CITY AND DEVELOPER IMMEDIATELY UPON COMPLETION OF THE WORK.

1.10 ENCRAGEMENTS PERMITS: SUBCONTRACTORS DOING WORK OR OPERATING EQUIPMENT WITHIN CITY STREET, COUNTY ROAD, STATE HIGHWAY, IMPERIAL IRRIGATION DISTRICT DITCH OR RAILROAD RIGHTS-OF-WAYS, SHALL OBTAIN AN ENCROACHMENT PERMIT FROM SAID AGENCIES AND SHALL COMPLY WITH THE PROVISIONS AND REQUIREMENTS OF SAID PERMITS. A COPY OF SAID PERMITS SHALL BE PROVIDED TO THE CITY AND DEVELOPER BEFORE COMMENCING ANY WORK IN SUCH AREAS.

1.11 PRE-CAST CONCRETE: WHERE IN THESE DRAWINGS REINFORCED CAST-IN-PLACE CONCRETE STRUCTURES ARE SHOWN OR DETAILED, PRE-CAST CONCRETE STRUCTURES MAY BE USED IN THEIR PLACE. PRE-CAST STRUCTURES SHALL BE OF EQUAL QUALITY, SIZE AND DESIGN TO THAT SHOWN OR DETAILED AND SHALL BE SUBJECT TO THE REVIEW AND ACCEPTANCE OF THE CITY OF UTILITY PRIOR TO DELIVERY TO PROJECT SITE. NO LESS THAN THREE COPIES OF THE DETAILS AND SPECIFICATIONS FOR PRE-CAST STRUCTURES SHALL BE PROVIDED FOR REVIEW, COMMENTS OR APPROVAL.

1.12 PRECONSTRUCTION: A PRECONSTRUCTION MEETING SHALL BE HELD INCLUDING REPRESENTATIVES OF THE CITY, DEVELOPER AND ALL PARTIES DOING WORK PURSUANT TO THESE DRAWINGS. AT SAID MEETING, THE NAME OF ALL PARTIES, THEIR ADDRESSES AND PHONE NUMBERS SHALL BE PROVIDED ALONG WITH ESTIMATED DATES WHEN EACH TYPE OF WORK WILL BE UNDER WAY. OTHER DATA RELATIVE TO LICENSE NUMBERS, CONTRACTORS INSURANCE MAY ALSO BE REQUIRED FROM EACH SUBCONTRACTOR DOING WORK ON THIS PROJECT. NO LESS THAN 3 DAYS NOTICE WILL BE GIVEN FOR SAID MEETING.

1.13 DESIGN MIXES: SUBCONTRACTORS PROVIDING ASPHALTIC CONCRETE PAVING, BASE AGGREGATE AND ANY KIND OF PORTLAND CEMENT CONCRETE REQUIRED FOR THRUST BLOCKS, POST FOOTINGS AND PIPELINE ENCASEMENTS, SHALL PROVIDE DESIGN MIXES TO THE CITY FOR APPROVAL PRIOR TO COMMENCING ANY WORK INCORPORATING SUCH MATERIALS. SAID MIX DESIGNS SHALL BE THE PRODUCT OF AN INDIVIDUAL QUALIFIED AND LICENSED TO PROVIDED SUCH SERVICES AND WHEN APPROVED BY THE CITY, SHALL BECOME A REQUIREMENT OF THESE SPECIFICATIONS TO THE SAME EXTENT AS IF FULLY SET OUT HEREIN.

1.14 EXISTING UTILITIES: UTILITIES SHOWN ON THESE PLANS HAVE BEEN LOCATED WITH AS MUCH CARE AS POSSIBLE WITH THE AID OF AVAILABLE RECORDS. HOWEVER THE LOCATIONS SHOWN MUST BE CONSIDERED APPROXIMATE ONLY. PRIOR TO THE START OF WORK, THE CONTRACTOR SHALL COORDINATE HIS WORK WITH ALL UTILITY COMPANIES AND SHALL LOCATE ALL LINES ACCURATELY BY EXCAVATION AND MEASUREMENT. PRIOR TO ANY EXCAVATION THE CONTRACTOR SHALL CALL THE 1-800-227-2600 ALERT NUMBER.

1.15 SAFETY: THE CONTRACTOR SHALL PROVIDE ALL MEANS AND DEVICES NECESSARY AND/OR REQUIRED TO PROTECT HIS EMPLOYEES AND ALL OTHERS FROM INJURY OR DAMAGE INCLUDING BUT NOT LIMITED TO: TRENCH, SHORING, TRAFFIC BARRICADES, LIGHTING, FLAGMEN, WARNING DEVICES, JOB COORDINATION AND SUPERVISION, ALL COORDINATION, EQUIPMENT, AND OTHER LABOR REQUIRED FOR DETOUR SHALL BE PROVIDED BY THE CONTRACTOR.

2. EARTHWORK

2.01 CLEARING: ALL AREAS OF THE WORK SHALL BE CLEARED OF OBSTRUCTIONS AND GRUBBED TO A DEPTH OF NO LESS THAN EIGHT (8) INCHES. VEGETATION SHALL BE REMOVED AND HOLES AND DEPRESSIONS SHALL BE FILLED WITH COMPACTED EARTH. DEBRIS, VEGETATION AND OTHER DELETERIOUS MATTER NOT SUITABLE FOR INCORPORATION INTO EARTH FILLS AND EMBANKMENTS SHALL BE REMOVED FROM THE SITE OF WORK AND DISPOSED OF BY THAT SUBCONTRACTOR WHOSE WORK HAS GENERATED SAME.

2.02 GRADING: THE FINISHED SURFACES OF LOTS, BUILDING PADS AND PARKWAYS SHALL BE BROUGHT TO THE ELEVATIONS SHOWN OR INDICATED ON THESE DRAWINGS. ALL EXCAVATIONS, WATERING, BACKFILL AND EMBANKMENT WORK REQUIRED TO COMPLETE SUCH GRADING SHALL CONFORM TO THE RECOMMENDATIONS OF THE SOILS REPORT REFERENCED ON THESE DRAWINGS. IMPORTED EARTH, IF REQUIRED, SHALL BE TESTED AND APPROVED AS SUITABLE FOR INCORPORATION INTO THE WORK BY THE SAME TESTING FIRM THAT FURNISHED REFERENCED SOILS REPORT. SURPLUS EARTH SHALL BE REMOVED AND DISPOSED OF AS REQUIRED FOR DEBRIS; EXCEPT WHERE THE DRAWINGS SHOW OR INDICATE AN AREA FOR DISPOSAL OF SURPLUS EARTH, ALL EARTH SUITABLE FOR INCORPORATION INTO FILLS AND EMBANKMENTS SHALL UNIFORMLY SPREAD AND WATERED OVER SAID AREA.

2.03 GRADING: THE FINISHED SURFACE OF GROUND AFTER COMPLETION OF GRADING SHALL BE WITHIN PLUS (HIGH) OR MINUS (LOW) 0.10 FOOT OF ELEVATIONS SHOWN ON THESE DRAWINGS; EXCEPT, THE INVERT OF DRAINAGE SWALES AND THE SURFACE OF BUILDING PADS SHALL BE WITHIN PLUS 0.05 OR MINUS 0.10 FOOT. LOT LINE SWALES SHALL BE ROUGH GRADED BEFORE BUILDINGS PERMITS ARE APPROVED AND FINISH GRADED BEFORE OCCUPANCY IS PERMITTED. THE ELEVATION OF FINISHED GROUND SURFACE BETWEEN ELEVATION SET OUT ON THESE DRAWINGS SHALL BE THAT OBTAINED BY STRAIGHT-LINE INTERPOLATION.

2.03 BUILDING PADS: AREAS IDENTIFIED ON THESE DRAWINGS AS BUILDINGS PAD SHALL BE WATERED, EXCAVATED, BACKFILLED, COMPACTED, GRADED AND OTHERWISE PREPARED AS NECESSARY TO BRING SUBSOILS, SURFACE SOILS AND FILL SOILS WITH THE LIMITS OF MOISTURE AND DENSITY FULFILLING THE REQUIREMENTS REPORTED AND REFERENCED ON THESE DRAWINGS. SUCH WORK SHALL BE TESTED AND CERTIFIED BY THE SAME TESTING FIRM THAT PREPARED THE REFERENCED SOILS REPORT AS ACCEPTABLE AND APPROVED FOR CONSTRUCTION OF HOUSE FOUNDATIONS AND SURFACE IMPROVEMENTS THEREON. THE MOISTURE CONTENT AND DENSITY OF COMPLETED AND APPROVED BUILDING PADS SHALL BE MAINTAINED UNTIL HOUSE FOUNDATIONS ARE IN PLACE.

2.04 SOIL STERILANT: WHERE PLANS OR DETAILS CALL FOR SOILS STERILANT, SUBCONTRACTORS SHALL FURNISH AND APPLY, AS ALLOWED BY ALL APPLICABLE REGULATIONS, DIURON, 334 DICHLOROPHENYL 1, 1-DIMETHYL UREA AT A RATE OF TEN (10) POUNDS PER ACRE. THE STERILANT SHALL BE EQUAL TO THAT MANUFACTURED BY DUPONT AS KARMEC, A WETABLE POWDER, RECOMMENDED FOR THE CONTROL OF WEEDS ALONG IRRIGATION DITCHES. CONTRACTOR TO SUBMIT "CERTIFICATION OF STERILIZATION" TO THE BUILDING AND ENGINEERING DEPARTMENTS PRIOR TO COMMENCING NEXT PHASE OF WORK.

2.05 ROADWAY EXCAVATIONS: ALL EXCAVATIONS WITHIN TEN (10) FEET OF AN ESTABLISHED PUBLIC ROADWAY SHALL BE FILLED AND COMPACTED AT THE END OF EACH WORK DAY. LIKEWISE, PILES OF MATERIAL WITHIN TEN (10) FEET OF AN ESTABLISHED PUBLIC ROADWAY SHALL BE LEVELED OF GRAD. WHERE EXCAVATIONS FOR PAVING WORK ARE MADE ADJACENT TO EXISTING TRAVELWAYS, SUCH EXCAVATIONS SHALL BE BACKFILLED WITH COMPACTED CLASS 2 AGGREGATE BASE TO TOP OF EXISTING PAVEMENT OR GRADE, SLOPING AWAY THEREFROM AT A SLOPE SAFE FOR PASSING VEHICLES. IN NO CASE SHALL SAID SLOPE BE STEEPER THAN 20 HORIZONTAL TO 1 VERTICAL (20:1). FILLS NEAR ROADWAYS SHALL BE MAINTAINED FLUSH WITH PAVEMENT, FREE OF LOOSE SURFACE MATERIAL CONTINUOUSLY, DAY AND NIGHT, UNTIL THE FINAL SURFACE PAVEMENT IS IN PLACE.

2.06 COMPACTION: WHERE IN THESE DRAWINGS AND IN THESE SPECIFICATIONS COMPACTION IS CALLED OUT TO BE 90% OF MAXIMUM, PLUS OR MINUS 3% SUCH SHALL BE INTERPRETED TO MEAN THAT TEST OF COMPACTION SHALL AVERAGE AT LEAST NINETY PERCENT (90%) AND NONE LESS THAN EIGHTY-SEVEN PERCENT (87%). ALSO, IN NO CASE SHALL THREE CONSECUTIVE TESTS OF COMPACTED EARTH WORK BE LESS THAN NINETY PERCENT (90%).

2.07 CLEAN-UP: BEFORE OCCUPANCY OF HOUSES IS PERMITTED, THE ENTIRE WORK SITE SHALL BE CLEANED OF ALL DEBRIS AND REFUSE THAT WOULD MAKE THE AREA UNSAFE OR UNSIGHTLY.

2.08 TESTING LAB REPORT: A SOILS REPORT WAS PREPARED FOR THE SUBJECT PROJECT. ALL EARTH AND SOILS WORK SHALL CONFORM TO THE RECOMMENDATIONS THEREOF. A COPY OF SAID REPORT MAY BE REVIEWED AT THE OFFICE OF THE ENGINEER.

2.09 IMPORTED EARTH FILL: IF THE WORK REQUIRES THE TRANSPORTATION OF EARTH FILL, THE CONTRACTOR SHALL, BEFORE COMMENCING IMPORT WORK, DESIGNATE HIS SOURCE AND ALLOW FOR TESTING AND APPROVAL BY THE TESTING LAB. ALL IMPORT SHALL BE SUBJECT TO THE APPROVAL OF OWNER OR HIS AUTHORIZED TESTING LABORATORY.

2.10 FINISHED GRADING: THE FINAL ELEVATION OF GROUND SURFACE ON TOP OF BUILDING PAD SHALL BE WITHIN PLUS OR MINUS 0.10 FT. AND WITHIN 0.05 FT FOR DRAINAGE SWALES OR THAT INDICATED ON THE LOTS GRADING PLAN. THE FINISHED SURFACE SHALL BE FREE OF CLODS AND ROCKS LARGER THAN 2 INCHES, SHALL BE UNIFORM IN APPEARANCE AND TEXTURE AND MADE SUITABLE FOR GROWING AND MAINTAINING GRASS.

2.11 BEFORE THE ISSUANCE OF BUILDING PERMITS, EARTHWORK AND/OR GRADING SHALL BE CERTIFIED THROUGH A STAMPED LETTER, SIGNED BY THE REGISTERED ENGINEER WITH SOILS TEST REPORTS ATTACHED, STATING THE FOLLOWING:

THAT WORK IS IN COMPLIANCE WITH THE ORIGINAL SOILS REPORT STATED ON PLANS OF THE SUBDIVISION FINAL MAP, OR THAT WORK IS IN COMPLIANCE WITH AN AMENDMENT TO THE ORIGINAL SOILS STUDY REPORT, OR THAT WORK IS IN COMPLIANCE WITH AN UPDATED AND DIFFERENT SOILS REPORT FROM THAT STATED OF THE SUBDIVISION FINAL MAP. A COPY OF SAID LETTER WITH SOILS TEST REPORT SHALL BE SUBMITTED TO THE BUILDING AND ENGINEERING DEPARTMENTS.

2.12 BEFORE THE ISSUANCE OF BUILDING PERMITS, 4 ELEVATIONS READING WITHIN EACH BUILDING PAD SHALL BE CERTIFIED THROUGH A SKETCH STAMPED AND SIGNED BY A REGISTERED ENGINEER. COPY OF SAID SKETCH SHALL BE SUBMITTED TO THE BUILDING AND ENGINEERING DEPARTMENT.

2.13 BEFORE THE ISSUANCE OF CERTIFICATIONS OF OCCUPANCIES: LOTS FINISHED GRADING SHALL BE SUITABLE AND PROPERLY DONE FOR LOTS TO DRAIN AS CALLED ON DRAWINGS PLANS. A CERTIFICATION LETTER STAMPED AND SIGNED BY A REGISTERED ENGINEER SHALL BE SUBMITTED TO THE BUILDING AND ENGINEERING DEPARTMENT.

2.14 IN ADDITION TO THE SPECIFICATIONS INCLUDED HEREIN ON THESE IMPROVEMENT DRAWINGS, THE CONTRACTOR AND/OR SUBCONTRACTOR SHALL ALSO FOLLOW THOSE SPECIFICATIONS FROM THE 1997 UBC SECTIONS 3304-3318 PERTAINING TO EARTHWORK AND GRADING.

3. WATER, SEWER, AND STORM DRAIN

3.01 SEWER: SEWER PIPE SHALL BE COMPOSED OF POLYVINYL CHLORIDE (PVC) PLASTIC GRAVITY SEWER PIPE WITH INTEGRAL WALL BELL AND SPIGOT JOINTS MEETING THE REQUIREMENT OF ASTM D3304 FOR SDR 35 PVC.

MANHOLES FOR SEWER PIPELINES SHALL BE OF PRECAST, REINFORCED CONCRETE CONFORMING TO SECTION 65-1.02A OF THE STANDARD SPECIFICATIONS. CONCRETE FOR MANHOLE BASES SHALL BE NO LESS THAN CLASS B, 3000 PSI CONFORMING TO SECTIONS 90-10.01 THRU 90-10.05 OF THE STANDARD SPECIFICATIONS AS MINOR CONCRETE. FRAME AND COVER SETS FOR MANHOLE ACCESS AND VENTING SHALL BE OF HEAVY-DUTY, TRAFFIC BEARING, MATCHED CAST IRON COMPONENTS EQUAL TO THAT MODEL AND MANUFACTURER INDICATED IN DRAWING DETAILS. SEWER PIPE INSTALLATION SHALL CONFORM TO SECTIONS 64-1.05 THRU 64-1.07.

SDR-35 POLYVINYL CHLORIDE (PVC) PIPE AND FITTINGS CONFORMING TO AMERICAN SOCIETY FOR TESTING AND MATERIALS (ASTM) SPECIFICATION D-3034 MAY BE USED, JOINTS SHALL BE OF THE RUBBER GASKETED, HUB AND SPIGOT DESIGN CONFORMING TO ASTM SPECIFICATION D-3212. PIPE STIFFNESS SHALL BE NO LESS THAN 46 PSI. INSTALLATION OF PVC SEWER PIPE SHALL CONFORM TO ASTM SPECIFICATION D-2321, THESE DRAWINGS AND THE MANUFACTURER'S PRINTED RECOMMENDATIONS.

3.02 WATER: WATER PIPE SHALL BE CLASS 150, POLYVINYL CHLORIDE (PVC) PIPE CONFORMING TO AWWA STANDARD C900. ALL PIPE SHALL BE OF THE SAME MANUFACTURER. FITTINGS FOR WATER PIPE SHALL BE CEMENT OR EPOXY LINED, DUCTILE IRON CONFORMING TO AWWA STANDARDS C-111 AND C-153, WITH FLANGED-END FITTINGS AND FLANGES BY MECHANICAL JOINT ADAPTERS WHERE CONNECTED DIRECTLY TO PIPE. ALL FITTINGS, INCLUDING BURY-ELLS AT FIRE HYDRANTS, SHALL BE INSTALLED WITH CONCRETE THRUST BLOCKS AS RECOMMENDED BY MANUFACTURER OF PIPE FOR CLAY SOILS CONDITIONS. CONCRETE FOR THRUST BLOCKS SHALL BE NO LESS THAN CLASS C, 2000 PSI, SHALL CONFORM TO SECTIONS 90-10.01 THRU 90-10.05 OF THE STANDARD SPECIFICATIONS AND SHALL BEAR AGAINST FIRE UNDISTURBED SOIL VALVES FOR WATER PIPE SHALL BE CLASS 150 RESILIENT WEDGE TYPE GATE VALVES, EPOXY COATED INSIDE AND OUT, DESIGN FOR DIRECT BURJ SERVICE AND CONFORMING TO AWWA C-509. GATE VALVES TO BE FLANGE BY MECHANICAL JOINT, CONNECTED DIRECTLY TO THE FITTINGS. VALVES TO BE RESTRAINED FROM MOVEMENT BY THE INSTALLATION OF CONCRETE THRUST BLOCKS. THRUST BLOCKS NEED NOT BE PROVIDED WHERE JOINT RESTRAINT DEVICES ARE SHOWN OR CALLED FOR IN LIEU THEREOF. SAID VALVE SHALL BE INSTALLED COMPLETE WITH A CAST-IRON VALVE BOX AND PIPE RISER AS DETAILED ON DRAWINGS. FIRE HYDRANTS SHALL BE OF THE MODEL AND MANUFACTURER INDICATED ON DRAWINGS AND SHALL CONFORM TO AWWA STANDARD C-503. ALL BOLTS USED IN BOLTED, UNDERGROUND PIPELINE CONNECTIONS AND CONNECTIONS OF FIRE HYDRANTS TO THE BURY-ELL, SHALL BE OF STAINLESS STEEL APPROVED BY THE CITY. POLYETHYLENE ENCASEMENTS FOR ALL UNDERGROUND, BOLTED FITTINGS AND VALVES SHALL BE PROVIDED.

3.03 STORM DRAIN: STORM DRAIN PIPES SHALL BE OF REINFORCED CONCRETE PIPE (RCP) CONFORMING TO SECTION 65-1.02A OF THE STANDARD SPECIFICATIONS, UNLESS OTHERWISE NOTED IN DRAWINGS DETAILS. STORM DRAIN PIPE SHALL BE NO LESS THAN 18" DIAMETER. JOINTS SHALL BE OF THE RUBBER-GASKETED TYPE. STORM DRAIN MANHOLES SHALL BE THE SAME AS REQUIRED HEREIN FOR SEWER; STORM DRAIN INLETS SHALL BE OF REINFORCED CONCRETE, CAST-IN-PLACE OR PRECAST, CONFORMING TO SECTIONS 65-1.01, 65-1.02, 65-1.07, 65-1.08 AND 65-1.18 OF THE STANDARD SPECIFICATIONS. ALL STORM DRAIN PIPE SHALL BE TESTED AS SIPHON PIPE IN ACCORDANCE WITH SECTION 65-1.03, 65-1.07 AND 65-1.08 OF THE STANDARD SPECIFICATIONS.

IN LIEU OF REINFORCED CONCRETE PIPE (RCP) AS HEREIN SPECIFIED, POLYVINYL CHLORIDE (PVC) AND/OR ADS-HDPE PIPE AND FITTINGS CONFORMING TO ASTM SPECIFICATION F-794 FOR LARGE DIAMETER RIBBED GRAVITY STORM DRAIN PIPE AND FITTINGS BASED ON A CONTROLLED INSIDE DIAMETER MAY BE USED. JOINTS SHALL BE OF THE RUBBER GASKETED, HUB AND SPIGOT DESIGN CONFORMING TO ASTM SPECIFICATION D-3212. PVC STORM DRAIN PIPE SHALL BE INSTALLED IN FULL CONFORMANCE WITH THE MANUFACTURER'S WRITTEN RECOMMENDATIONS AND THESE DRAWINGS AND SHALL BE SUBJECT TO THE SAME TEST FOR WATER TIGHTNESS AS REQUIRED FOR RCP. STORM DRAIN PVC SMALLER THAN 18" DIAMETER SHALL BE THE SAME AS REQUIRED FOR THE PVC SEWER PIPE.

3.04 TRENCH BACKFILL: SAND FOR PIPE ZONE BACKFILL AND BEDDING OF PIPE SHALL BE NO LESS THAN SCREENED, PIT RUN GRANULAR MATERIAL FREE OF VEGETABLE MATTER AND DEBRIS, 100% PASSING THE 1" MESH SIEVE, HAVING AN EQUIVALENT NO LESS THAN 35% SAND. BACKFILL AND BEDDING SHALL BE COMPACTED TO DENSITY OF NO LESS THAN 95% OF MAXIMUM @ ± 2% OPTIMUM MOISTURE.

OTHER BACKFILL SHALL BE FINELY PULVERIZED EARTH TAKEN FROM TRENCH EXCAVATIONS, WETTED, PROCESSED AND COMPACTED TO A MINIMUM DENSITY 90% OF MAXIMUM MOISTURE CONTENT IN EARTH BACKFILL AT COMPLETION OF WORK SHALL NOT EXCEED OPTIMUM PLUS EIGHT (8) PERCENT. ALL TRENCH BACKFILL SHALL BE TESTED TO INSURE CORRECT COMPACTION. TESTS SHALL BE MADE NOT EXCEEDING MORE THAN 1.0 FEET OF BACKFILL DEPTH AND FOR EVERY 300 FEET OF TRENCH LENGTH.

ALL NATIVE SOIL BACKFILL SHALL CONTAIN NO ROCKS LARGER THAN 3 IN. AND SHALL BE FREE OF CLODS, BROKEN PAVEMENT OR CONCRETE NOR SHALL IT CONTAIN ANY VEGETATION OR DEBRIS. NATIVE SOIL BACKFILL SHALL BE COMPACTED TO A DENSITY OF NO LESS THAN 90% AND NO MORE THAN 93% PER TEST METHOD CALIFORNIA ASTM D1557; GRANULAR MATERIAL SHALL BE COMPACTED TO A DENSITY OF NO LESS THAN 98% UPPER SIX (6) INCHES OF BACKFILL UNDER PAVEMENT, SIDEWALK OR DRIVEWAYS SHALL BE PREPARED AS SUBGRADE. TEST SHALL BE DONE ON ALL BACKFILL ON MAIN LINES AND SERVICE LATERALS; 2 TESTS EVERY 300' AND ON EACH 1' LAYER OF BACKFILL, ALSO AROUND CONCRETE MANHOLES, BOTTOM OF CATCH BASINS AND ON WATER AND SEWER SERVICE LATERALS SHALL BE TESTED FOR COMPACTION.

3.05 CONNECTIONS AND DISINFECTIONS: CONNECTIONS OF SEWER AND STORM DRAIN PIPE CALLED FOR ON THESE DRAWINGS TO EXISTING SYSTEMS OR FACILITIES, INCLUDING OPEN DRAIN DITCHES, SHALL BE AS DIRECTED BY AND UNDER THE SUPERVISION OF THE CITY OR OTHER AGENCY HAVING JURISDICTION OVER THAT EXISTING SYSTEM OF FACILITY. CONNECTION OF WATER PIPE WORK TO EXISTING CITY WATER SYSTEMS SHALL BE UNDER DIRECT SUPERVISION OF THE CITY. BEFORE CONNECTION, ALL WATER PIPE AND APPURTENANCES SHALL BE DISINFECTED IN ACCORDANCE WITH AWWA STANDARD C-601-81. BACTERIOLOGICAL TESTING SHALL BE PERFORMED AND CERTIFIED BY A STATE LICENSED LABORATORY. LIQUID CHLORINE SHALL BE USED FOR THE WATER LINE DISINFECTANT. COPIES OF ALL TEST RESULTS SHALL BE PROVIDED TO AND APPROVED BY THE CITY AND DEVELOPER BEFORE WORK ON WATER PIPE CONNECTIONS IS REQUESTED. ALL PIPE FITTINGS AND MATERIALS REQUIRED FOR CONNECTIONS SHALL BE FURNISHED BY THE SUBCONTRACTOR. THE LINE SHALL BE OPEN FOR THE SERVICES BY THE CITY WATER DEPARTMENT UPON NOTIFICATION.

3.06 SERVICES: NO LESS THAN ONE WATER SERVICE AND ONE SEWER SERVICE SHALL BE INSTALLED PER LOT WITHIN THE DEVELOPMENT. THE LOCATION OF SAID SERVICES SHALL BE PER THE INSTRUCTIONS OF THE OWNER. PRIOR TO ACCEPTANCE OF THE IMPROVEMENTS THE OWNER SHALL SUBMIT A LIST OF WATER AND SEWER SERVICES LOCATION SHOWING THE STATIONING OR LOCATION OF EACH LOT.

3.07 TILE DRAIN LINES: WHERE NEW PIPELINES TRENCHES OR OTHER EXCAVATIONS CUT EXISTING UNDERGROUND TILE DRAIN PIPES, REMOVE NO LESS THAN 2'-0" AND PLUG BOTH EXPOSED PIPE ENDS WITH CONCRETE OR OTHER PERMANENT MATERIAL TO MAKE A WATER TIGHT SEAL. THE LOCATION AND DEPTH OF ALL TILE DRAINS SO CUT AND PLUGGED SHALL BE SHOWN ON AS-BUILT DRAWINGS OF THE WORK REQUIRING SAME.

3.08 RIM AND COVER ELEVATIONS: MANHOLE RIM ELEVATIONS NOTED ON THESE PLANS FOR STANDARD MANHOLES ARE APPROXIMATE ONLY AND ARE PROVIDED TO ALLOW SUBCONTRACTOR TO ESTIMATE MATERIALS. UPON COMPLETION OF ASPHALT PAVING, RIMS SHALL BE ADJUSTED TO FINAL GRADE AND ELEVATION TO MATCH FINISHED SURFACE OF ASPHALT WITHIN PLUS OR MINUS 1/8 INCH. VALVE BORES AND COVERS SHALL LIKEWISE BE ADJUSTED TO GRADE AND ELEVATION. REINFORCED CONCRETE RINGS NO LESS THAN 1 FOOT LARGER THAN MANHOLE FRAME OR VALVE COVER AND NO LESS THAN 8 INCHES DEEP MAY BE INSTALLED IN LIEU OF PLACING HOT MIXED ASPHALT TO PATCH PAVEMENT AROUND THE ADJUSTED FRAME OR COVER.

3.09 SPECIAL MANHOLES: WHERE THE DIFFERENCE IN ELEVATION BETWEEN TO OF THE LARGEST PIPE IN MANHOLE AND THE MANHOLE COVER RIM IS LESS THAN 4'-6", "SPECIAL MANHOLES" SHALL BE INSTALLED, WHERE SAID DIFFERENCE IS LESS THAN 6'-6", BUT MORE THAN 4'-6", STANDARD MANHOLES WITH FLAT TOPS SHALL BE INSTALLED. WHERE SAID DIFFERENCE IS MORE THAN 6'-6", STANDARD MANHOLES SHALL BE INSTALLED.

3.10 PRESSURE SEWER: SEWAGE PRESSURE PIPE WHEN CALLED FOR ON THESE DRAWINGS SHALL BE CLASS 200 PSI (SDR21) POLYVINYL CHLORIDE (PVC) PIPE MADE IN STANDARD THERMOPLASTIC PIPE DIMENSION RATIOS AND PRESSURE RATED, ALL IN ACCORDANCE WITH ASTM STANDARD D-2241. FITTINGS SHALL BE OF THE SAME MATERIAL AS PIPE OF THE LONG SWEEP (RADIUS) DESIGN. JOINTS SHALL BE OF THE RUBBER GASKETED, INTEGRAL BELL-AND-SPIGOT DESIGN. CONCRETE THRUST OR ANCHOR BLOCKS SHALL BE PROVIDED AT ALL CHANGES IN ALIGNMENT. INSTALLATION SHALL CONFORM TO ASTM STANDARD D-2321 AND THESE DRAWINGS. TRENCH, BACKFILL AND TESTING REQUIREMENTS SHALL BE THE SAME AS REQUIRED IN THESE SPECIFICATIONS FOR WATER PIPE.

3.11 PIPELINE TESTING: PLASTIC WATER, SEWER AND STORM DRAIN PIPING SHALL BE INSTALLED, BACKFILL AND TESTED IN ACCORDANCE WITH THESE SPECIFICATIONS, THE PUBLISHED STANDARDS AND REQUIREMENTS OF THE CITY AND THE PRINTED INSTRUCTIONS AND RECOMMENDATIONS OF THE MANUFACTURER OF PIPE. WHERE CONFLICTS OCCUR, THE MOST STRINGENT PROVISION SHALL APPLY. SEWER PIPE TESTING LENGTHS SHALL BE LIMITED TO A MAXIMUM OF 600 FT.; AND, THE MINIMUM TEST PRESSURE FOR WATER PIPE SHALL BE 150 PSI. CONTRACTOR SHALL SUBMIT WRITTEN INSTRUCTIONS AND/OR MANUFACTURER'S SPECIFICATIONS FOR THE TESTING PROCEDURES FOR THE WATER, SEWER AND STORM DRAIN LINES PRIOR TO COMMENCING WORK.

ALL STORM WATER, IRRIGATION WATER, SIMILAR PIPE SHALL BE INSTALLED AND TESTED AS CULVERT PIPE AS SET OUT IN SECTIONS 65-1.03 THRU 65-1.08; EXCEPT PIPE LESS THAN TEN (10) FEET DEEP TO INVERT MEASURED FROM FINISHED SURFACE OF STREET OF GROUND AT HIGHEST POINT IN SIPHON SHALL BE TESTED AS REQUIRED FOR SEWER PIPE.

3.12 WATER SUPPLY: NO WATER SHALL BE SUPPLIED TO NEW PIPELINES FROM THE CITY'S EXISTING POTABLE WATER SYSTEMS UNTIL CITY HAS RECEIVED AND APPROVED COPIES OF ALL PRESSURE, BACTERIOLOGICAL AND CHLORINE RESIDUAL TESTING RESULTS. ONLY AUTHORIZED EMPLOYEES OF CITY SHALL OPERATE VALVES THAT ALLOW THE SUPPLY OF POTABLE WATER TO NEW PIPELINES TO COMMENCE. NEW PIPELINES SHALL ALSO BE FLUSHED BEFORE CONNECTIONS TO EXISTING SYSTEMS.

4. STREET WORK

4.01 CONCRETE: CONCRETE CURBS, SIDEWALKS AND GUTTERS SHALL CONFORM TO SECTIONS 73-1.01 THRU 73-1.06 OF THE STANDARD SPECIFICATIONS. WEAKENED PLANE AND EXPANSION JOINTS SHALL BE LOCATED, SPACED AND SEALED AS DETAILED ON THESE DRAWINGS. ALL CONCRETE SHALL BE FURNISHED WITH A "CERTIFICATE OF COMPLIANCE" CONFORMING TO THESE SPECIFICATIONS, UNLESS OTHERWISE SHOWN OR DETAILED. ALL CONCRETE SHALL BE CLASS "B" SHALL CONTAIN NOT LESS THAN 564 POUND OF PORTLAND CEMENT PER CUBIC YARD AND SHALL ATTAIN A COMPRESSIVE STRENGTH OF NO LESS THAN 4500 PSI WITHIN 28 DAY OF PLACEMENT PER ASTM C-192. SLUMP AT TIME OF PLACEMENT SHALL NOT EXCEED 4 INCHES. CURING SHALL BE BY APPLICATION OF A PIGMENTED CURING COMPOUND TO ALL EXPOSED SURFACES AND THE FORMED EDGES OF WALKS, DRIVEWAYS AND GUTTERS WHERE FORM HAVE BEEN REMOVED. ALL 4500 PSI CONCRETE SHALL CONTAIN NO LESS THAN 6 SACKS PER CUBIC YARD AND HAVING A WATER-TO-CEMENT RATIO OF NO MORE THAN 0.45 BY WEIGHT.

EXPANSION AND WEAKENED PLANE JOINTS SHALL BE INSTALLED AND SEALED IN ALL CONCRETE CURBS, GUTTERS, CROSS-GUTTERS, RAMP, SIDEWALKS AND DRIVEWAYS AS DETAILED ON THESE DRAWINGS AND AS HEREIN SPECIFIED. SIDEWALKS JOINTS TO BE SEALED SHALL BE SEALED WITH A PREMIUM GRADE,

ONE-COMPONENT, POLYURETHANE NON-SAG ELASTOMERIC SEALANT EQUAL TO SIKAFLEX-15 LM. SEALANT SHALL BE APPLIED TO GUTTER JOINTS AS SHOWN IN DETAILS AND ALL SIDEWALK JOINTS IN THE VICINITY OF DRIVEWAYS. CONTRACTION JOINTS SHALL BE PLACED AT 10'-0" ON CENTERS AND EXPANSION JOINTS SHALL BE PLACED AT 40'-0" ON CENTERS AND ALL CONTRACTIONS WITH STRUCTURES, CURB RETURNS, HANDICAP RAMP, AND DRIVEWAYS. TOOLED JOINTS IN SIDEWALKS SHALL BE SPACED 4'-0" ON CENTERS.

4.02 SUBGRADE: SUBGRADE FOR ALL STREET WORK SHALL BE UNIFORM AND COMPACTED TO DENSITY OF NO LESS THAN 90% OF MAXIMUM FOR A DEPTH OF AT LEAST TWELVE (12) INCHES BELOW BOTTOM OF CONCRETE OR BASE MATERIAL TO BE PLACED. SUBGRADE SHALL BE FINISHED TO WITHIN PLUS (HIGH) 0.00 FOOT, OR MINUS (LOW) 0.10 FOOT OF DESIGN SURFACE SHOWN OR INDICATED BY THESE DRAWINGS. MOISTURE IN SUBGRADE MATERIAL AT TIME OVERLAYING CONCRETE OR BASE MATERIAL FOR STREETS SHALL BE BETWEEN 4-8% CLAYS AND 0-4% SILTS ABOVE OPTIMUM, NO LESS THAN ONE DENSITY TEST SHOWING COMPLIANCE OF THE WORK WITH THESE SPECIFICATIONS SHALL BE PROVIDED FOR EACH 5000 SQ. FT. OF SUBGRADE AREA CONSTRUCTED.

SUBGRADE FOR STREET, CURB AND GUTTERS, SIDEWALKS AND DRIVEWAYS SHALL BE UNIFORM COMPACTED TO A RELATIVE COMPACTION OF NO LESS THAN 90% FOR A DEPTH OF NO LESS THAN 12 INCHES AND SHALL BE FINISHED WITH NO HIGH GRADES, OR MINUS 0.10 FT. (LOW) OF THE THEORETICAL GRADE INDICATED ON THE PLANS. THE MOISTURE CONTENT SHALL BE AT TIME OF TESTING AND AT TIME OF PLACEMENT OF OVERLAYING WORK, NO LESS THAN OPTIMUM PLUS 4%, SOAKING OF SUBGRADE FOR SIDEWALKS AND DRIVEWAYS IS ALSO RECOMMENDED PRIOR PLACING OF CONCRETE.

4.03 GROUND STERILIZATION: EACH 100 SQ. FT. OF BASE AREA UNDER ASPHALT PAVING SHALL BE TREATED WITH 2.5 LB. OF MONOBOR-ORATE GRANULAR WEED KILLER. CONTRACTOR TO SUBMIT "CERTIFICATION OF STERILIZATION" TO THE BUILDING AND ENGINEERING DEPARTMENTS PRIOR TO COMMENCING NEXT PHASE OF WORK.

4.04 AGGREGATE BASE: AGGREGATE BASE FOR STREET PAVING AND ASSOCIATED FACILITIES SHALL BE CLASS 2 CONFORMING TO SECTIONS 26-1.01 THRU 26-1.02B, 26-1.04 AND 26-1.05 OF THE STANDARD SPECIFICATIONS; EXCEPT, MOTOR GRADERS MAY BE USED FOR SPREADING AND SHAPING MATERIAL SO LONG AS SERIOUS SEGREGATION DOES NOT OCCUR. THE FINISHED SURFACE OF BASE MUST PRIOR TO PLACEMENT OF OVERLAYING ASPHALT OR PORTLAND CEMENT CONCRETE SHALL BE WITHIN PLUS (HIGH) 0.05 FOOT OR MINUS (LOW) 0.05 FOOT OF DESIGN SURFACE INDICATED ON THESE DRAWINGS. ALL BASE AGGREGATE SHALL BE FURNISHED WITH A " CERTIFICATE OF COMPLIANCE". NO RECYCLED MATERIALS WILL BE ALLOWED. TESTING OF IN PLACE MATERIAL FOR COMPACTION SHALL BE AS REQUIRED FOR SUBGRADE.

4.05 ASPHALTIC CONCRETE: UNLESS OTHER MATERIALS ARE SPECIFIED BY CONSTRUCTION NOTES OR IN THE SPECIFIC DETAILS, THE ASPHALTIC CONCRETE (AC) PAVING SHALL BE TYPE "A" CONFORMING TO SECTION 39-1.01 THRU 39-3.05D OF THE STANDARD SPECIFICATIONS. AGGREGATE GRADE AND ASPHALT BINDER CONTENT SHALL BE AS REQUIRED BY CITY: (3/4" MAX) EXCEPT, IN NO CASE SHALL PERCENT OF BINDER BE LESS THAN 5% OF TOTAL WEIGHT OF MIX. CONSTRUCTION: WHERE THE PAVEMENT THICKNESS IS GREATER THAN 0.30 FOOT YOU MAY PLACE TYPE A HMA IN MULTIPLE LIFTS NOT LESS THAN 0.15 FOOT EACH. BOTTOM LIFT SHALL BE 3/4" GRADON AND TOP LIFT SHALL BE 1/2" GRADATION MAX, ACCORDING TO SECTION 39-2.02C. ALL ASPHALT PAVING SHALL BE FOG SEALED AFTER COMPLETION IN WITH SECTIONS 37-1.01 THRU 37-5.04. ASPHALT PAVING DENSITY AFTER COMPACTION SHALL BE NO LESS THAN 141 POUNDS PER CUBIC FOOT. ALL ASPHALT SHALL BE FURNISHED WITH A "CERTIFICATE OF COMPLIANCE" CONTRACTOR TO SUBMIT A CERTIFIED ASPHALT MIX DESIGN. NO RECYCLED MATERIALS WILL BE ALLOWED.

4.06 PAVING JOINTS: WHERE NEW PAVING JOINTS EXISTING, INCLUDING AREAS WHERE MUST BE REMOVED AND REPLACED FOR PIPE LINE OR OTHER IMPROVEMENT EXCAVATION SUFFICIENT AREAS OF THE EXISTING PAVING SHALL BE REMOVED TO INSURE THAT A SMOOTH TRANSITION BETWEEN THE OLD AND NEW SURFACES RESULTS. THE NEW PAVEMENT SECTION SHALL BE TO BE INSTALLED TO MATCH EXISTING PAVING ED. THE NEW PAVING ED. SHALL BE LESS THAN THAT CALLED FOR, SHOWN OR REQUIRED BY THESE DRAWINGS FOR NEW PAVEMENT CONSTRUCTION.

4.07 SIGNS AND MARKERS: BLUE HYDRANT REFLECTORS SHALL BE INSTALLED ON ALL STREET WHERE FIRE HYDRANTS ARE INSTALLED. REFLECTORS SHALL BE LOCATED OPPOSITE HYDRANT JUST OFF CENTER OF STREET TOWARDS HYDRANT, ADDITIONALLY CURB SHALL BE PAINTED RED 10 FEET BOTH SIDES FROM FIRE HYDRANT. STREET/STOP SIGNS SHALL BE PROVIDED AT INTERSECTIONS WHERE THESE DRAWINGS SO INDICATE. SIGNS TYPE AND CONSTRUCTION SHALL BE IN ACCORDANCE WITH THE PUBLISHED STANDARD SPECIFICATIONS. SIGNS SHALL BE EXTRUDED BLADE ALUMINUM, 4-WAY, TOP-OF-POLE, TYPE. THEY SHALL BE INSTALLED COMPLETE WITH 12 INCH DIAMETER BY 36 INCH DEEP CONCRETE FOOTING. HEIGHT OF SIGNS ABOVE GROUND SHALL BE 7' FROM TOP OF SIDEWALK.

5. MISCELLANEOUS

5.01 CHAIN LINK FENCING: FENCING WHERE CALLED FOR ON THESE DRAWINGS SHALL BE 6 FT. HIGH CHAIN LINK NO 2" DIAMETER ROUND GALVANIZED STEEL POSTS. EXCEPT AS HEREIN PROVIDED, ALL MATERIAL AND WORKMANSHIP SHALL MEET OR EXCEED THE REQUIREMENTS OF SECTIONS 80-4.01 THRU 80-4.02 OF THE STANDARD SPECIFICATIONS. FOOTINGS SHALL BE NO LESS THAN 12" DIAMETER AND 36" DEEP. PIPE POSTS SHALL BE EMBEDDED NO LESS THAN 34" INTO FOOTINGS. WIRE FOR ALL CHAIN LINK FENCING SHALL BE NO LESS THAN 9 GAUGE. WHERE PLANS CALL FOR SCREEN FENCING, 1/4" X 2" CLEAR REDWOOD SLATS, VERTICALLY INTERWOVEN WITH THE WIRE FENCING SHALL BE PROVIDED. ALL FENCE FABRIC SHALL CLEAR THE FINISHED SURFACE OF GROUND BY 2 INCHES, PLUS OR MINUS 1 INCH. GATE AND GATE POSTS SHALL CONFORM TO THE REFERENCED STANDARD SPECIFICATIONS.

5.02 MASONRY WALL: MASONRY WALL CONSTRUCTION SHALL CONFORM TO THE UNIFORM BUILDING CODE AS ADOPTED BY THE CITY. BLOCK SHALL BE OPEN-END, GRADE "N"; MORTAR SHALL BE TYPE "M" AND, REINFORCING SHALL BE GRADE 40, DEFORMED BARS. ONLY CELLS CONTAINING REINFORCING SHALL BE GROUTED. CONCRETE FOR FOOTINGS SHALL BE CLASS "B" 3000 PSI, MADE WITH TYPE II PORTLAND CEMENT AND 5% PLUS OR MINUS 1%, OF ENTRAINED AIR. SLUMP AT PLACEMENT SHALL BE NO MORE THAN 4 INCHES. SOILS UNDER FOOTINGS SHALL BE COMPACTED FOR A DEPTH OF NO LESS THAN 12 INCHES TO A DENSITY OF 90%, PLUS OR MINUS 3%. SOIL BACKFILL ADJACENT TO FOOTINGS SHALL BE LIKEWISE COMPACTED UNLESS CONCRETE IS PLACED AGAINST COMPACT, UNDISTURBED SOIL. EXPANSION JOINTS IN WALL BLOCK SHALL BE 1/2" CLEAR VERTICAL OPENING PLACED AT ALL INTERSECTIONS, FOUNDATIONS STEPS, CHANGES IN DIRECTION AND AT A MAXIMUM SPACING OF 60 FEET. WALLS SHALL BE LEVEL, STEPPED AS NEEDED TO MEET THE WALL ELEVATION REQUIREMENTS INDICATED ON THE DRAWINGS.

5.03 COATING: WHERE COATING OF MANHOLE, WET WELLS AND SIMILAR STRUCTURES IS CALLED FOR ON THESE DRAWINGS, SUCH SHALL BE A SELF-PRIMING, HEAVY DUTY, COLD-APPLIED, WATERPROOF, COAL-TAR COATING, APPLIED PER THE MANUFACTURER'S WRITTEN SPECIFICATIONS. THE MATERIAL SHALL BE RAVEN LINING SYSTEM OR APPROVED EQUAL.

5.04 ALL TRAFFIC STRIPES AND PAVEMENT MARKINGS SHALL BE THERMOPLASTIC PER CALTRANS STD. SPEC. 84-2.02B AND TO BE APPLIED ONE MONTH AFTER PAVING.

NO.	REVISIONS:	APPROVED	DATE